



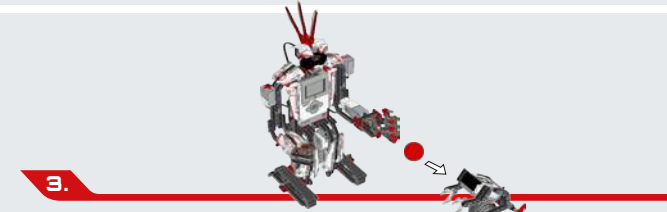
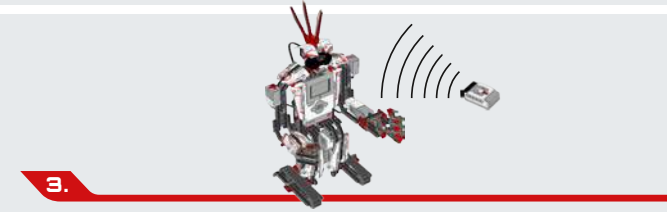
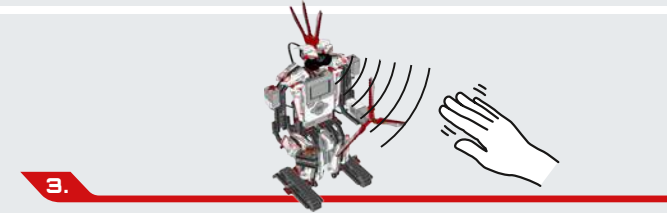
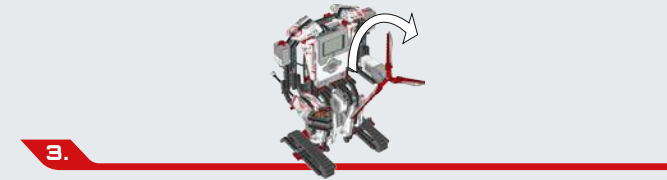
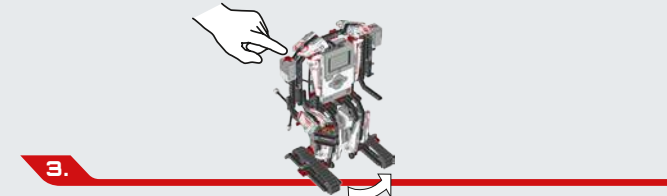
# MINDSTORMS

EV3



31313

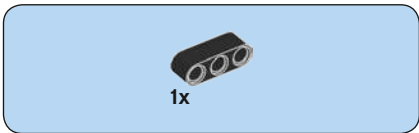
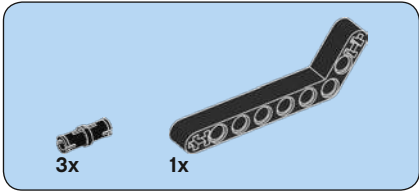
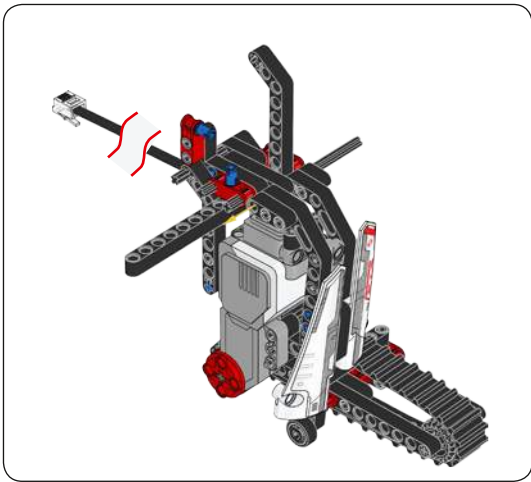
EV3RSTORM



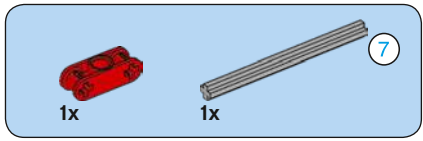
# MISSION 01



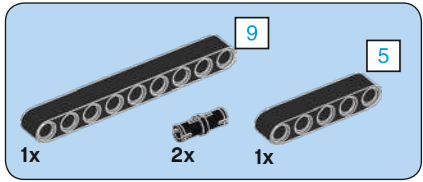
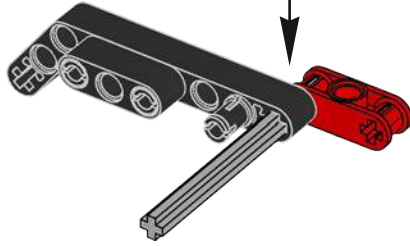
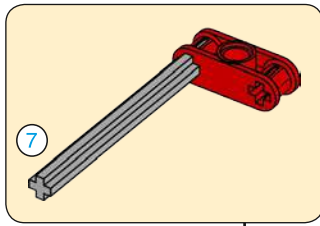




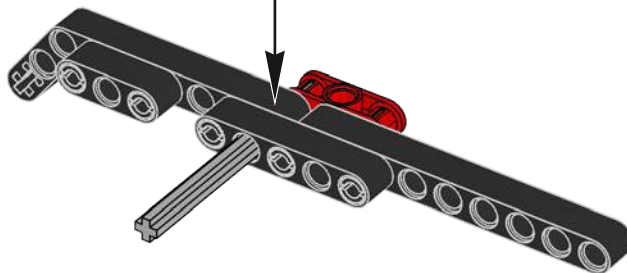
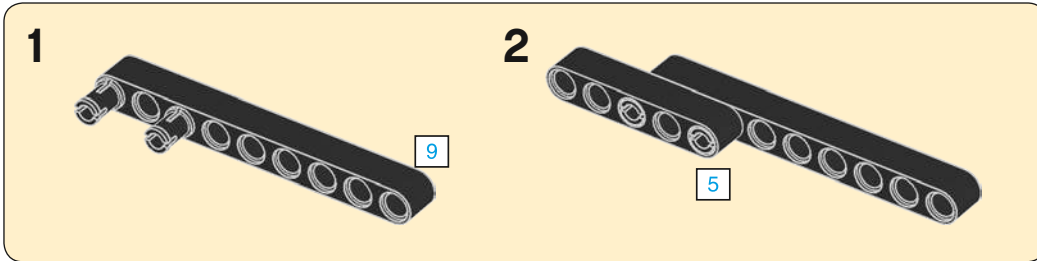


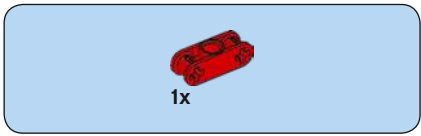


3

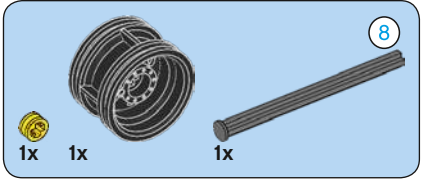
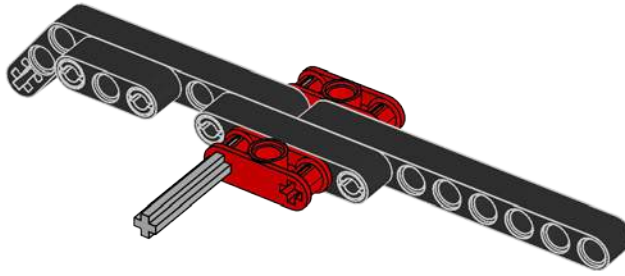


4

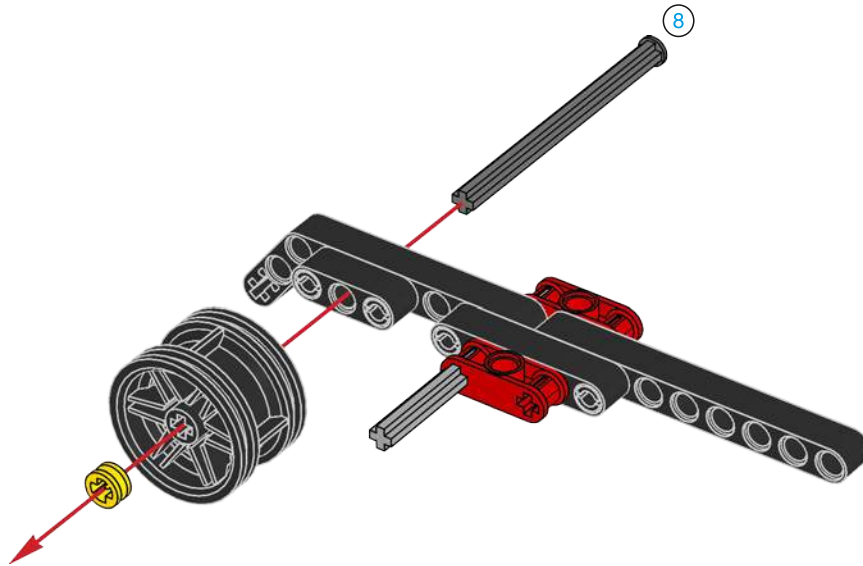


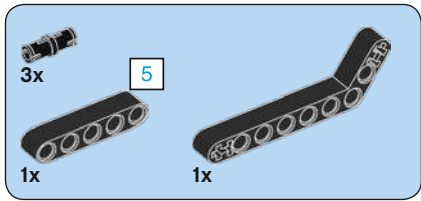


5

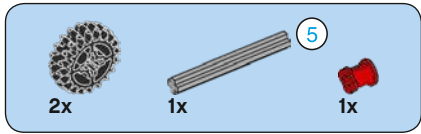
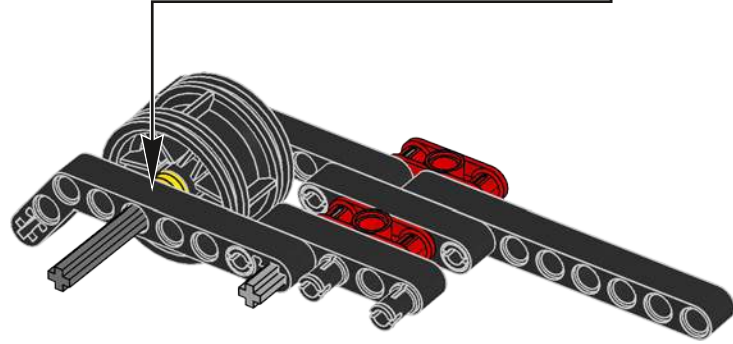
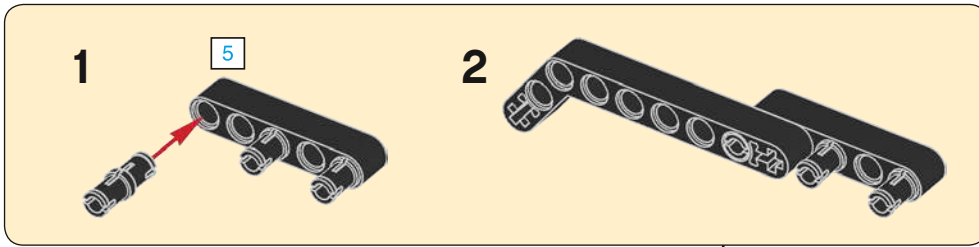


6

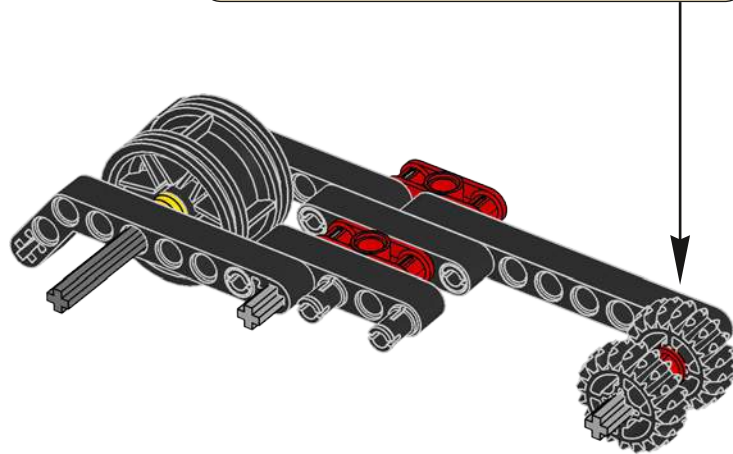
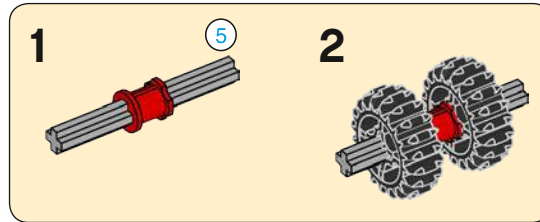




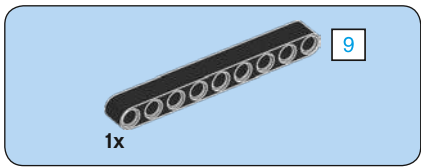
7



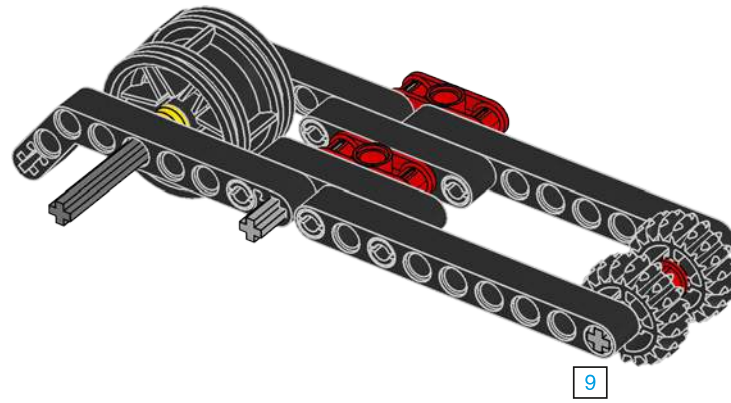
8



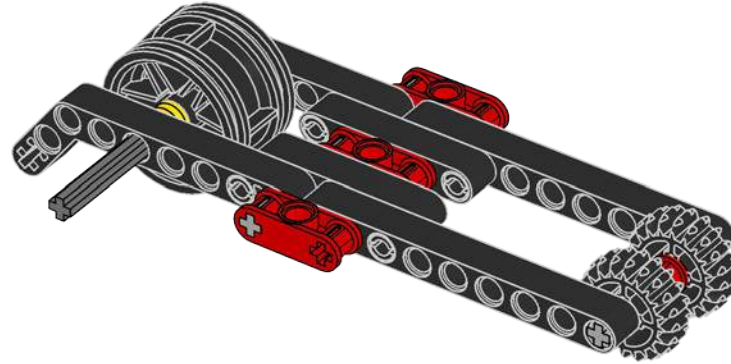




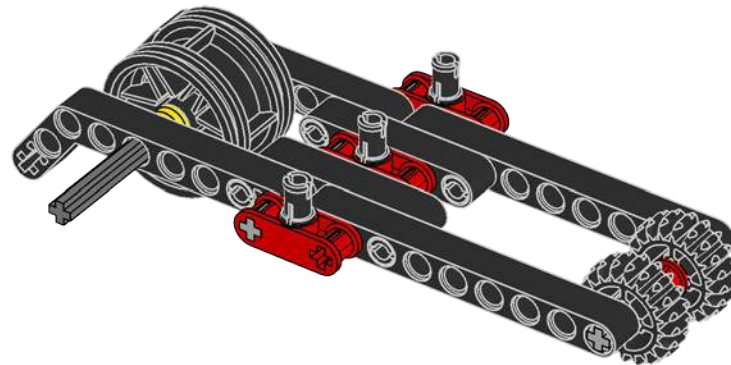
9

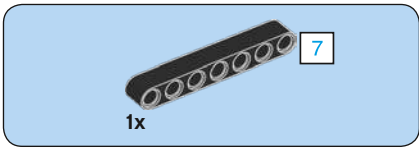


10

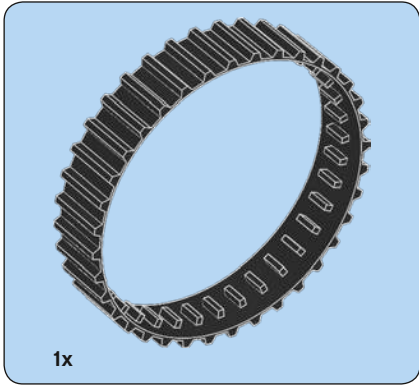
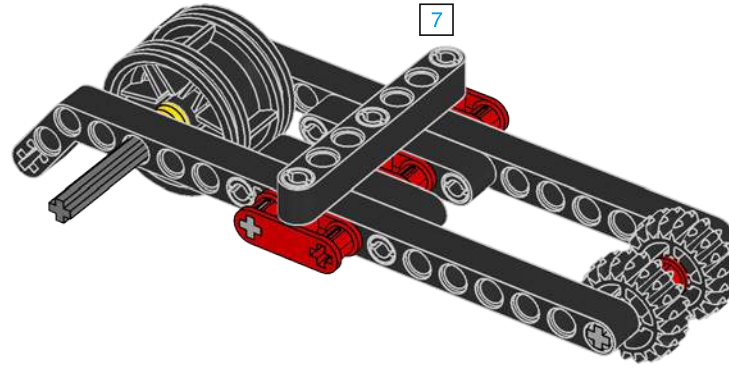


11

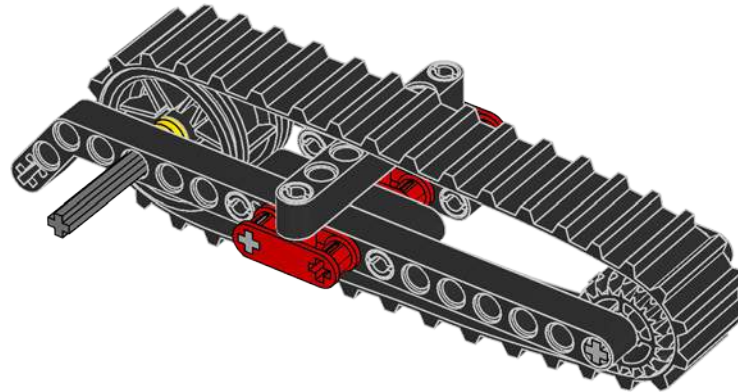


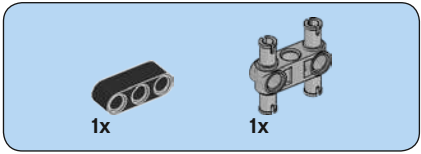
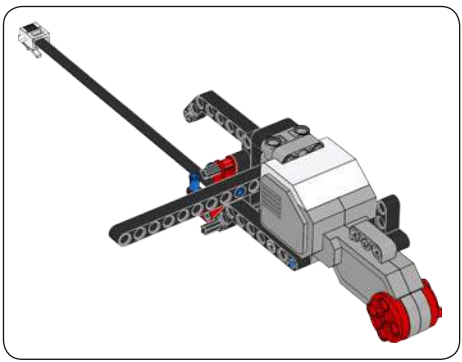


12

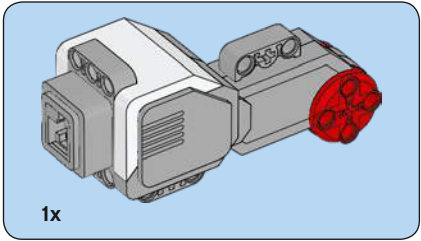
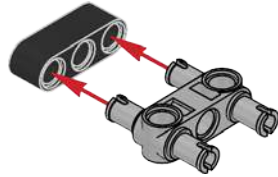


13

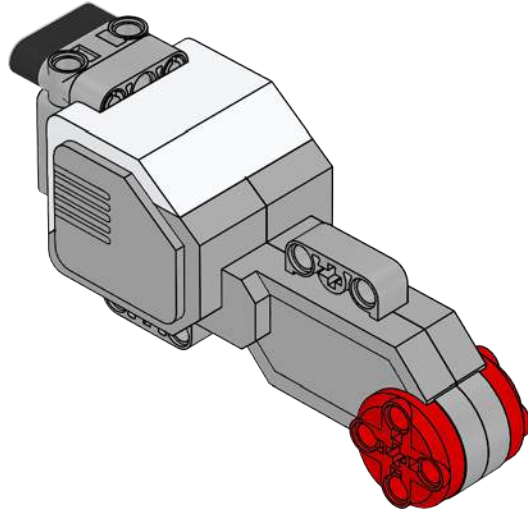




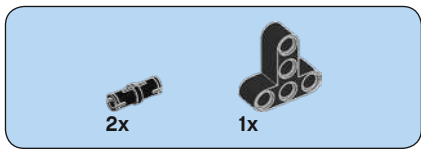
1



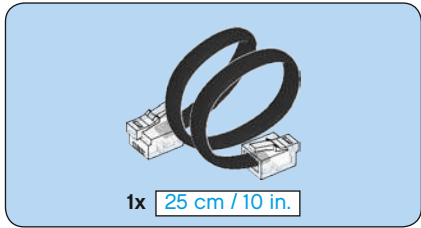
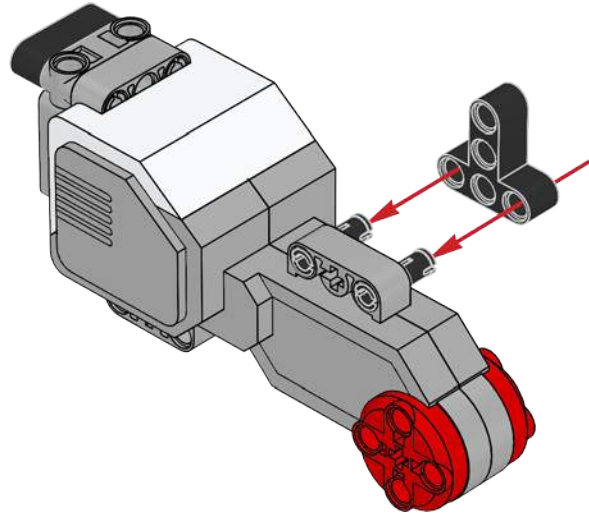
2



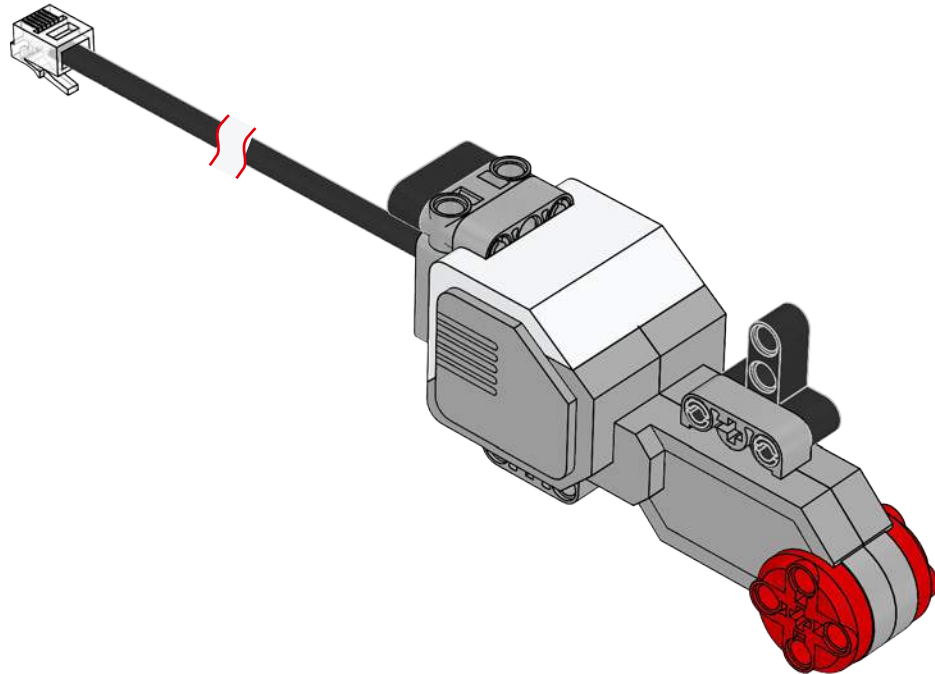


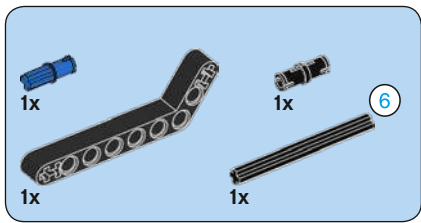


3

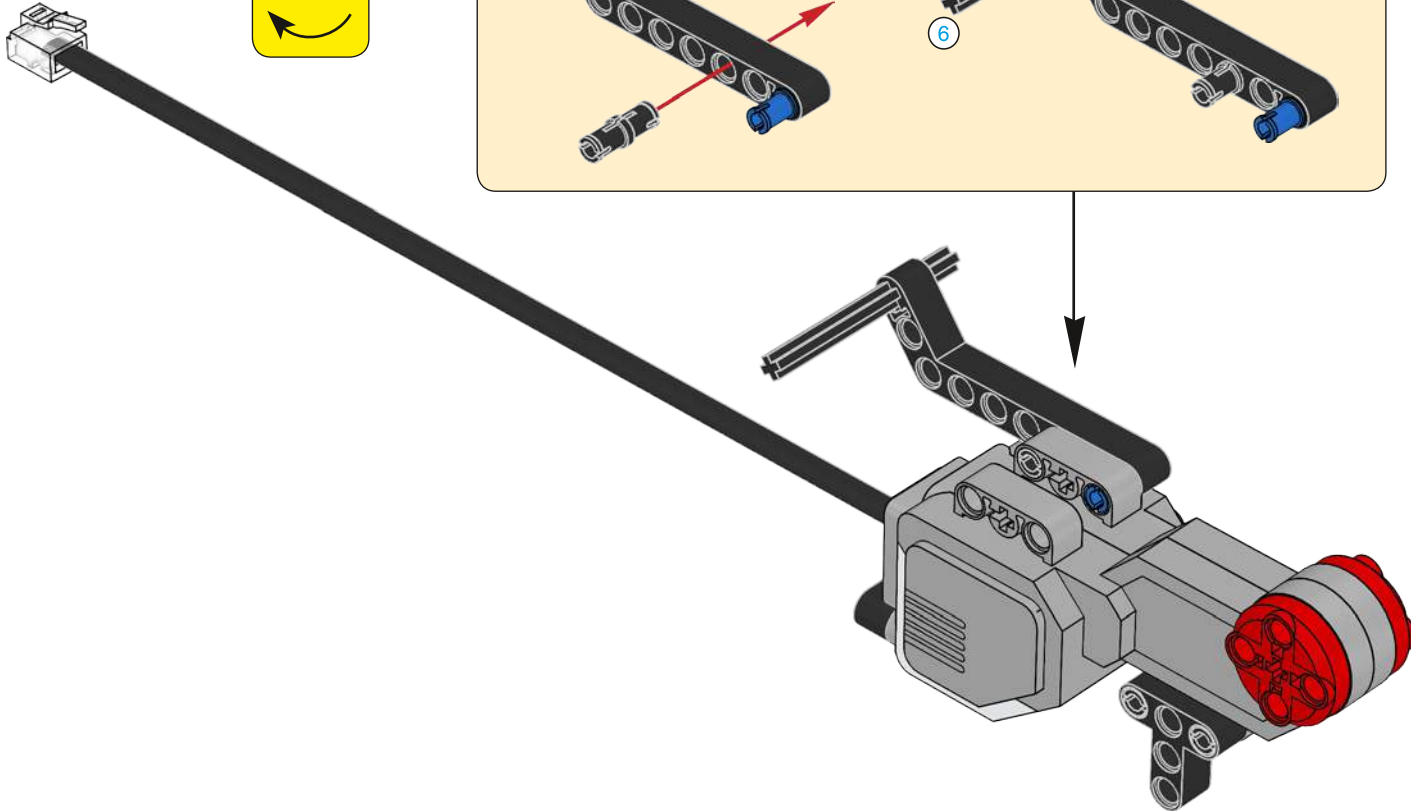
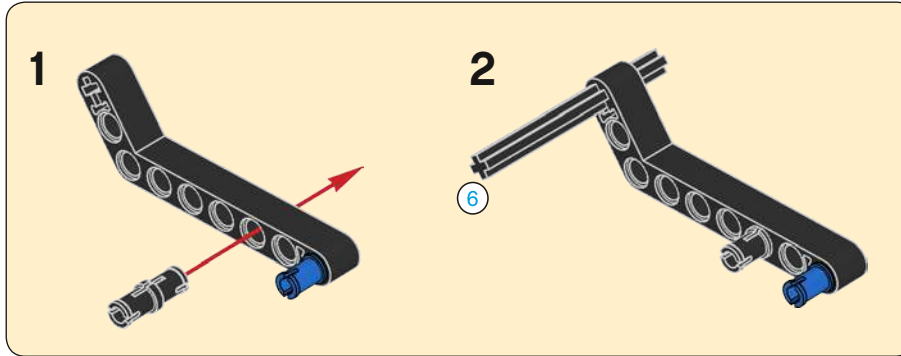
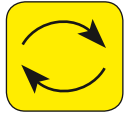


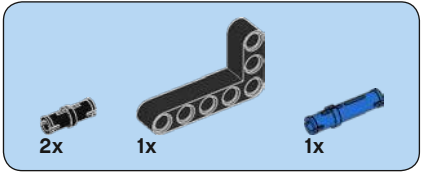
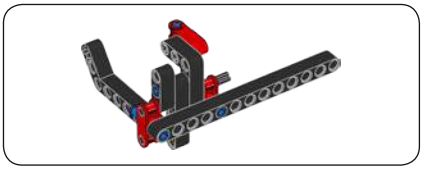
4



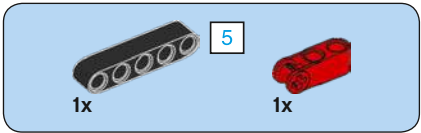
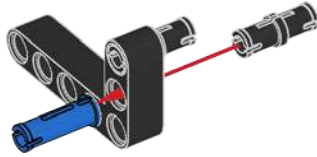


5

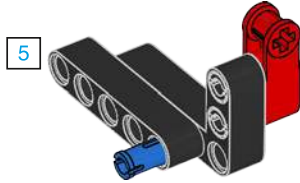




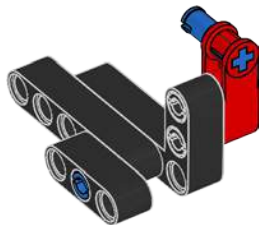
1



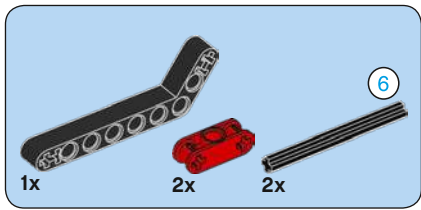
2



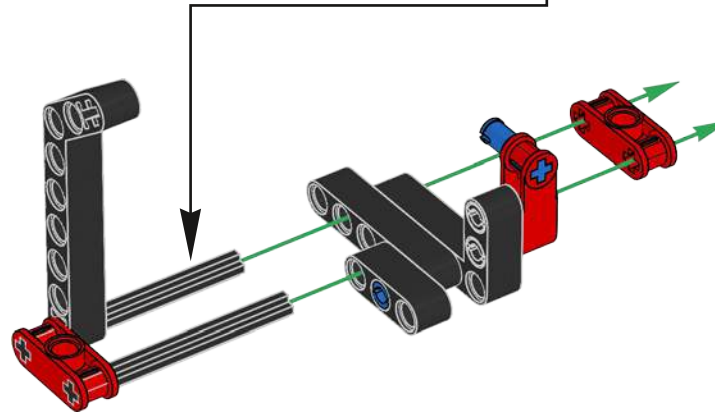
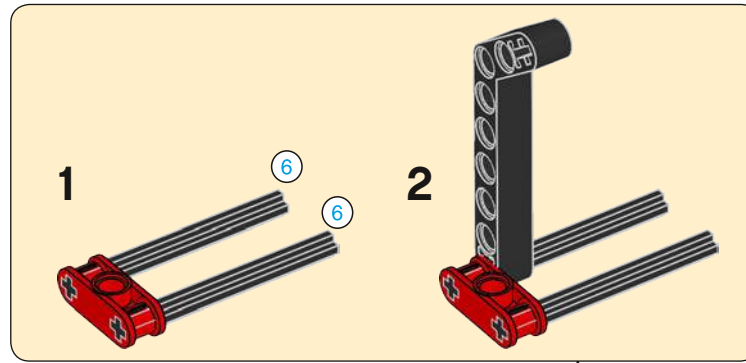
3



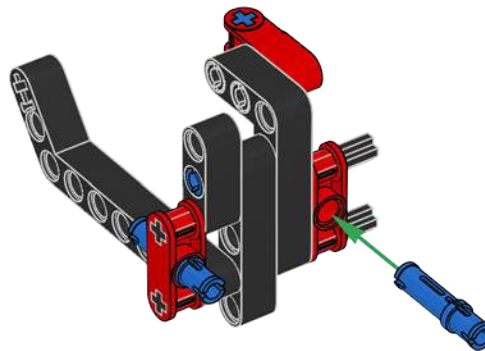


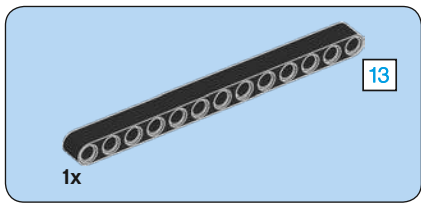


4

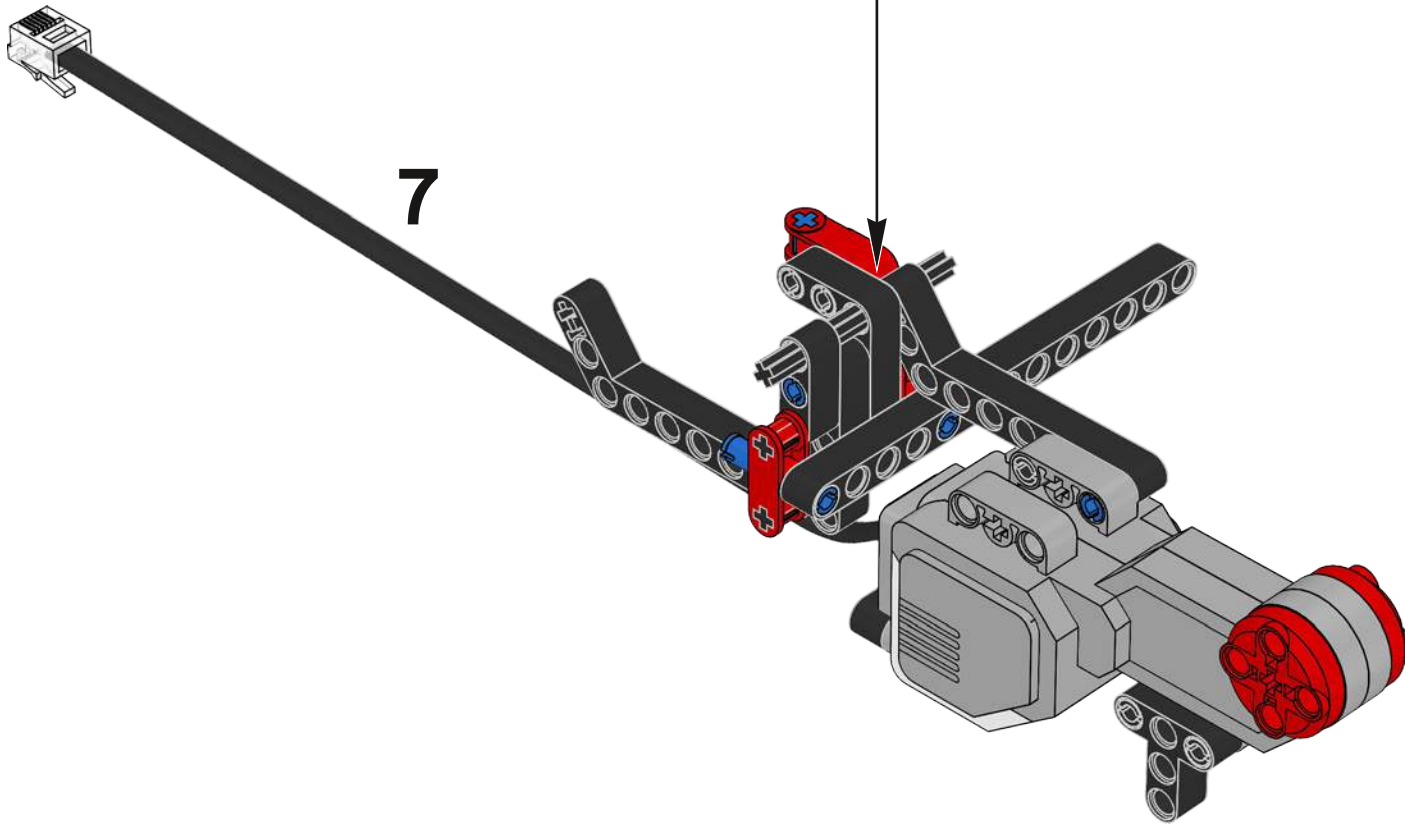
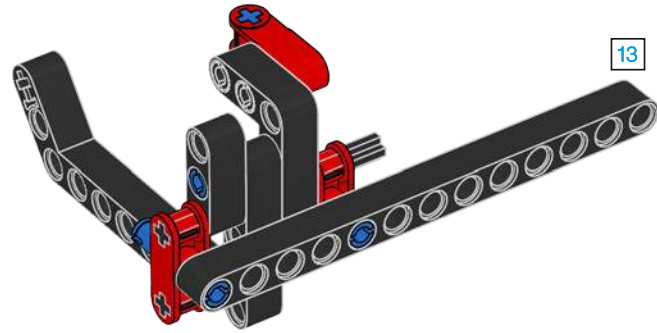


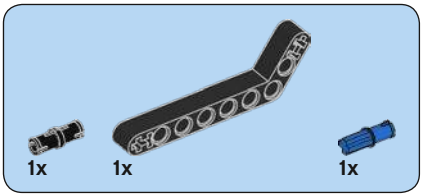
5



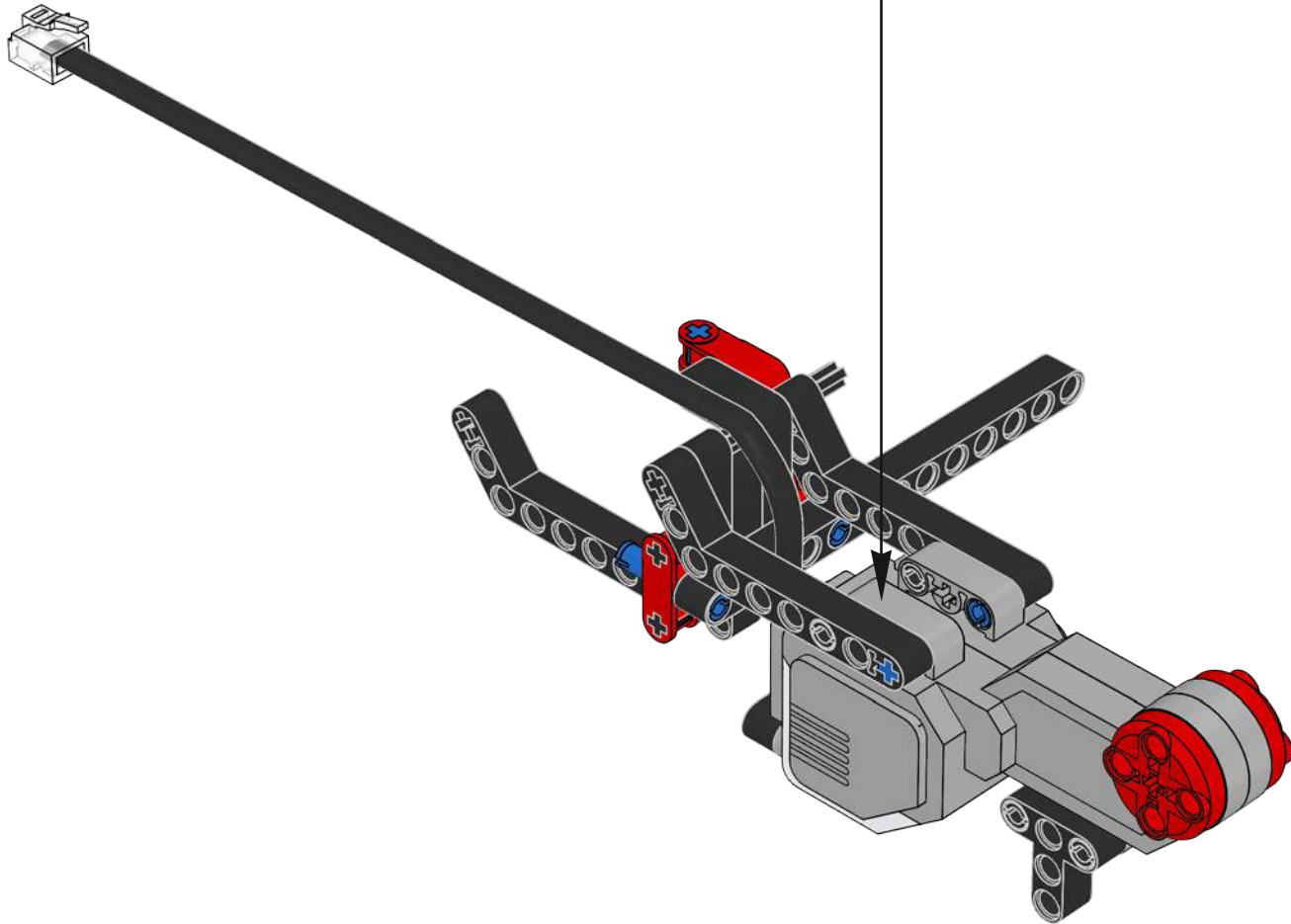
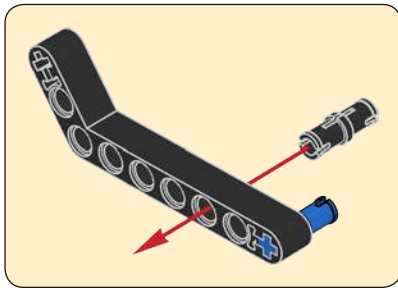


6



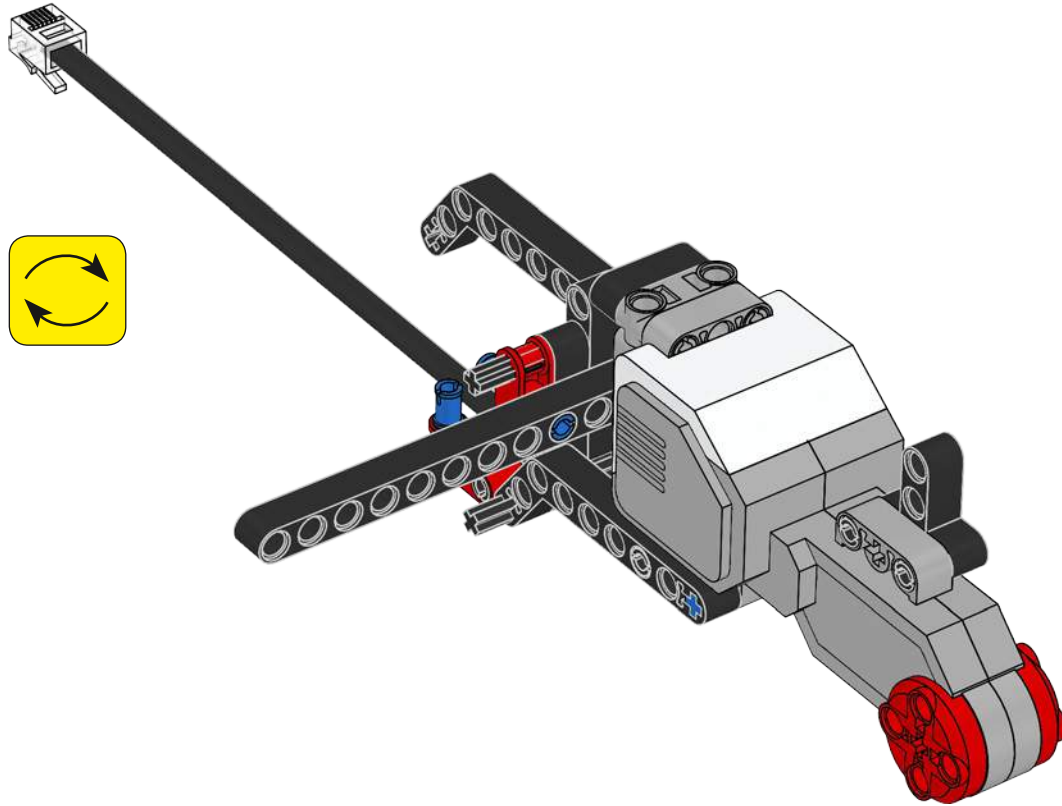


8

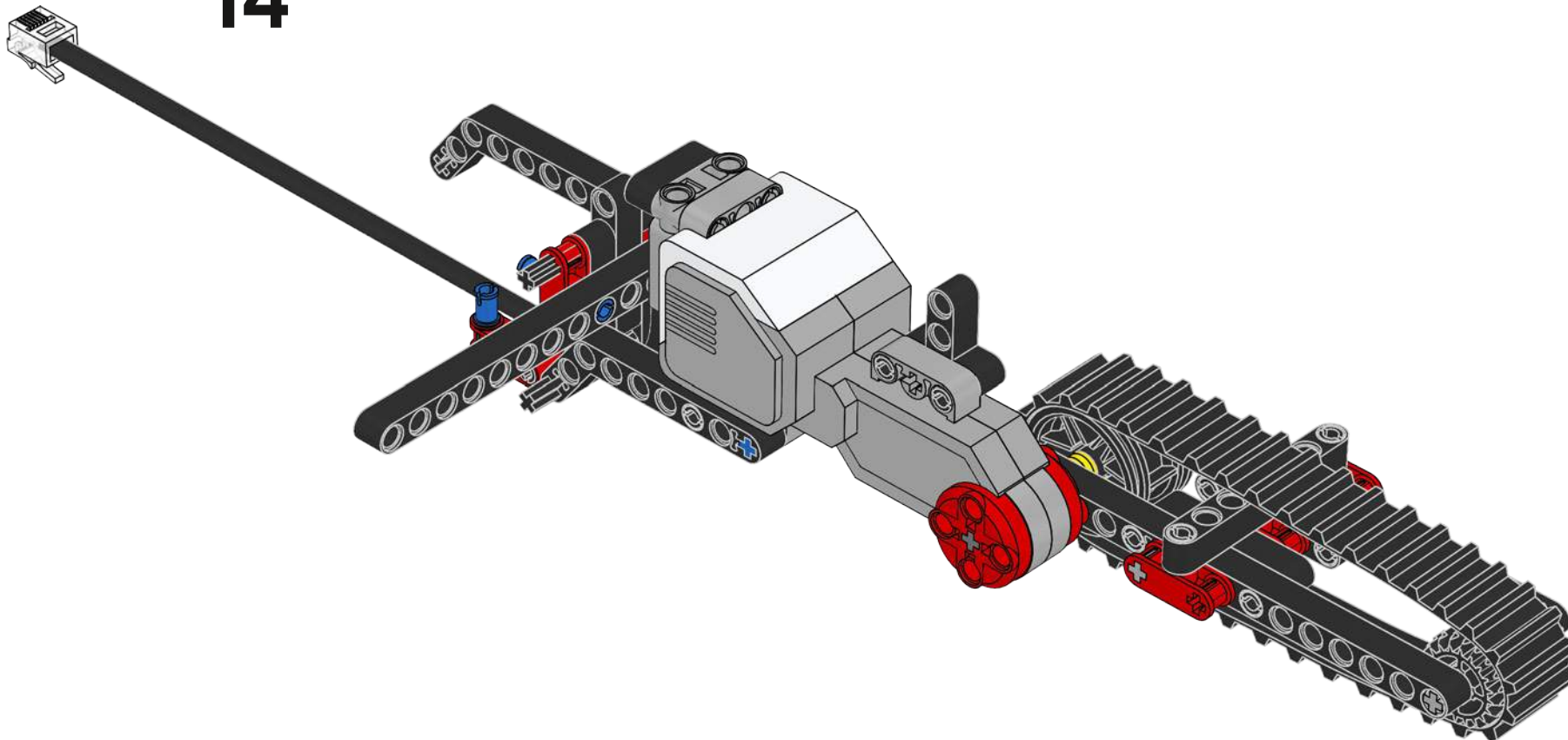


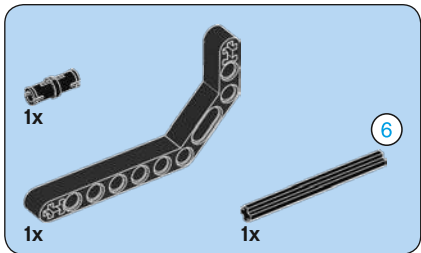
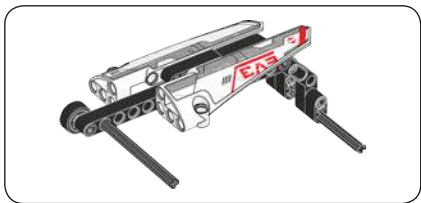


9

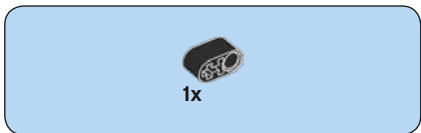
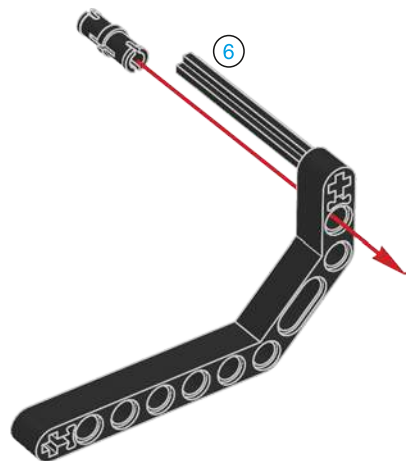


14

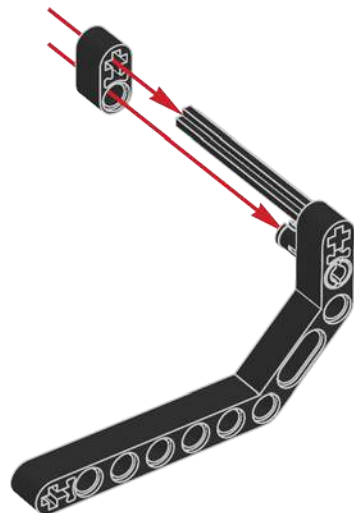


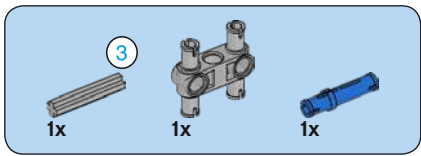


1

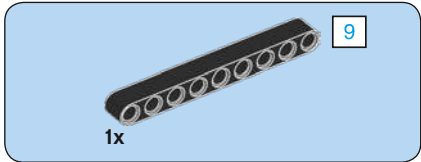
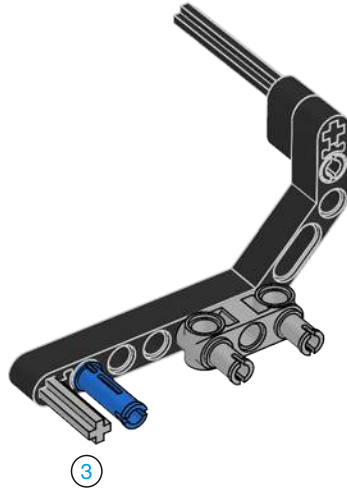


2





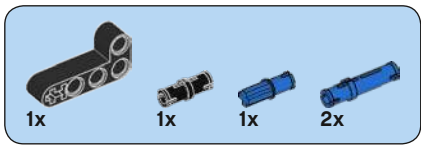
3



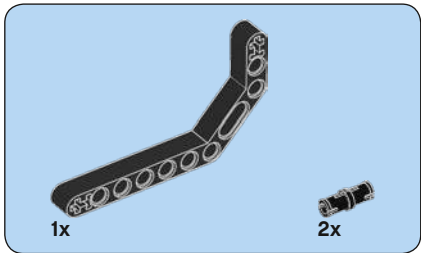
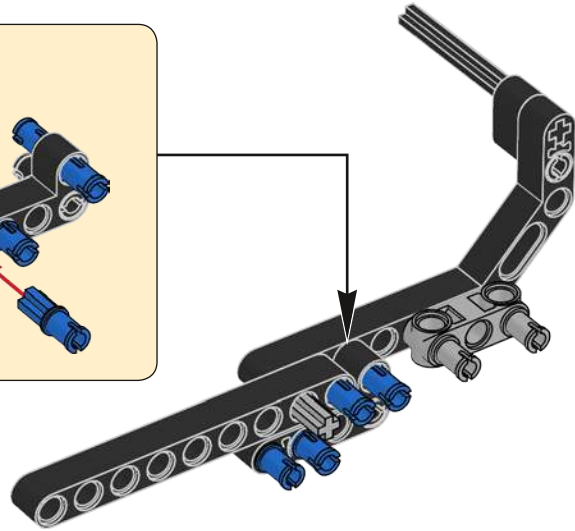
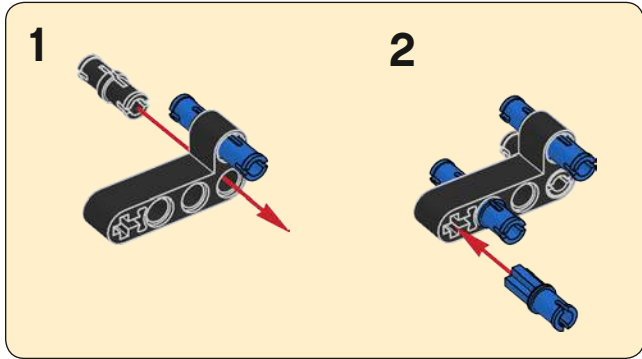
4



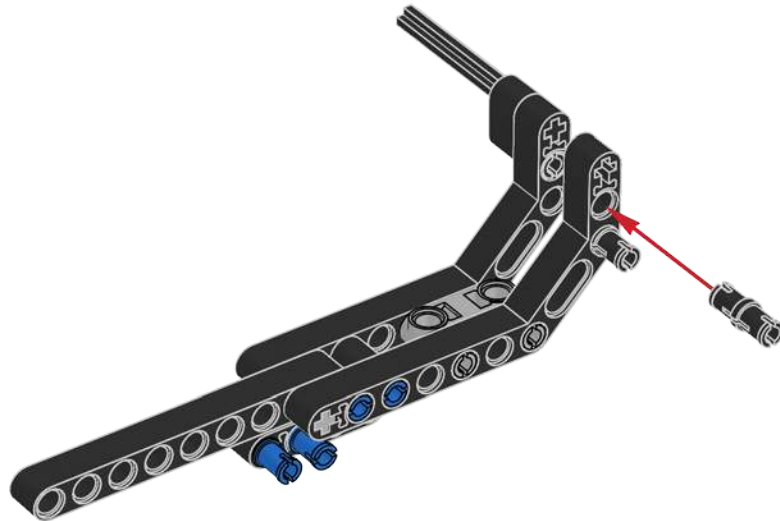


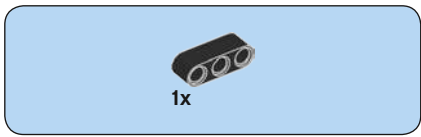


5

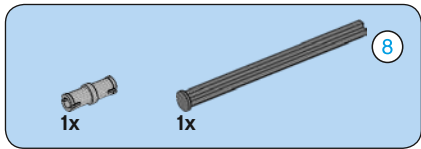
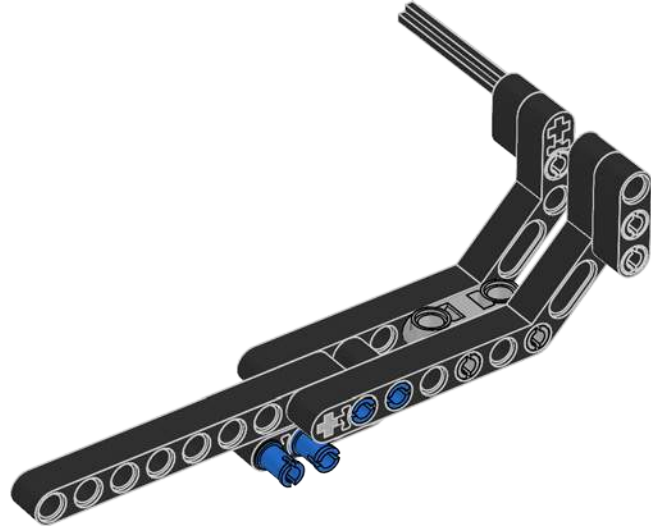


6

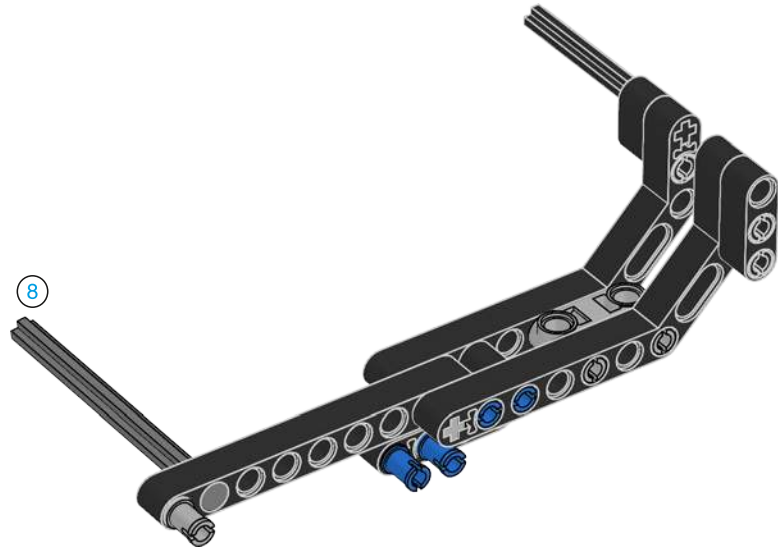


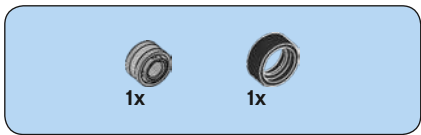


7

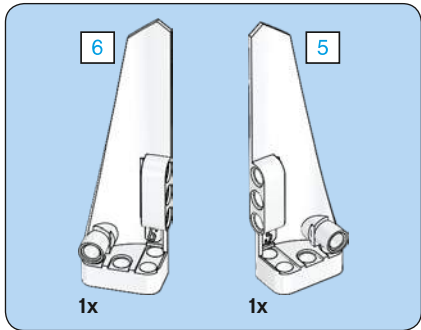
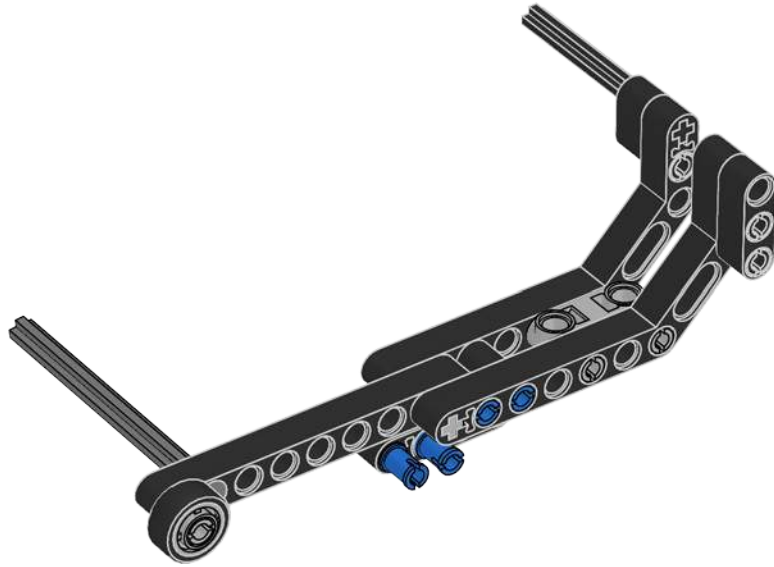


8

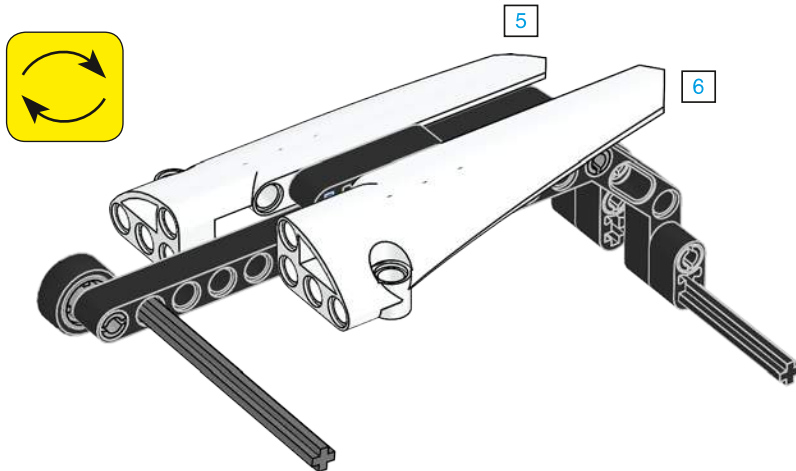




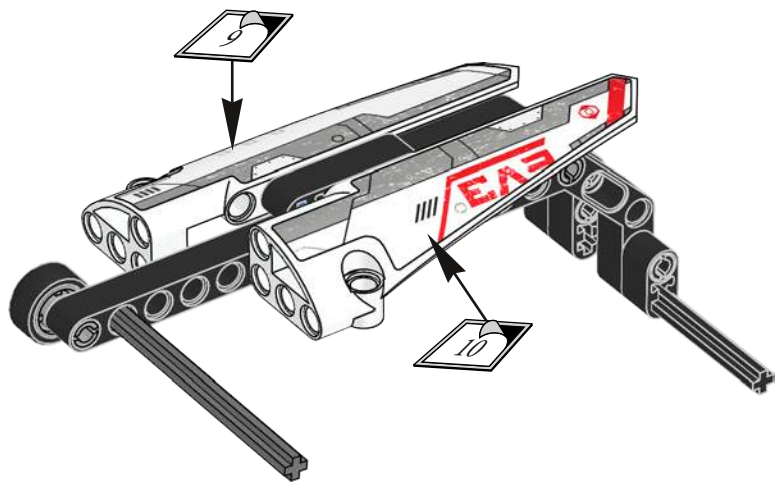
9



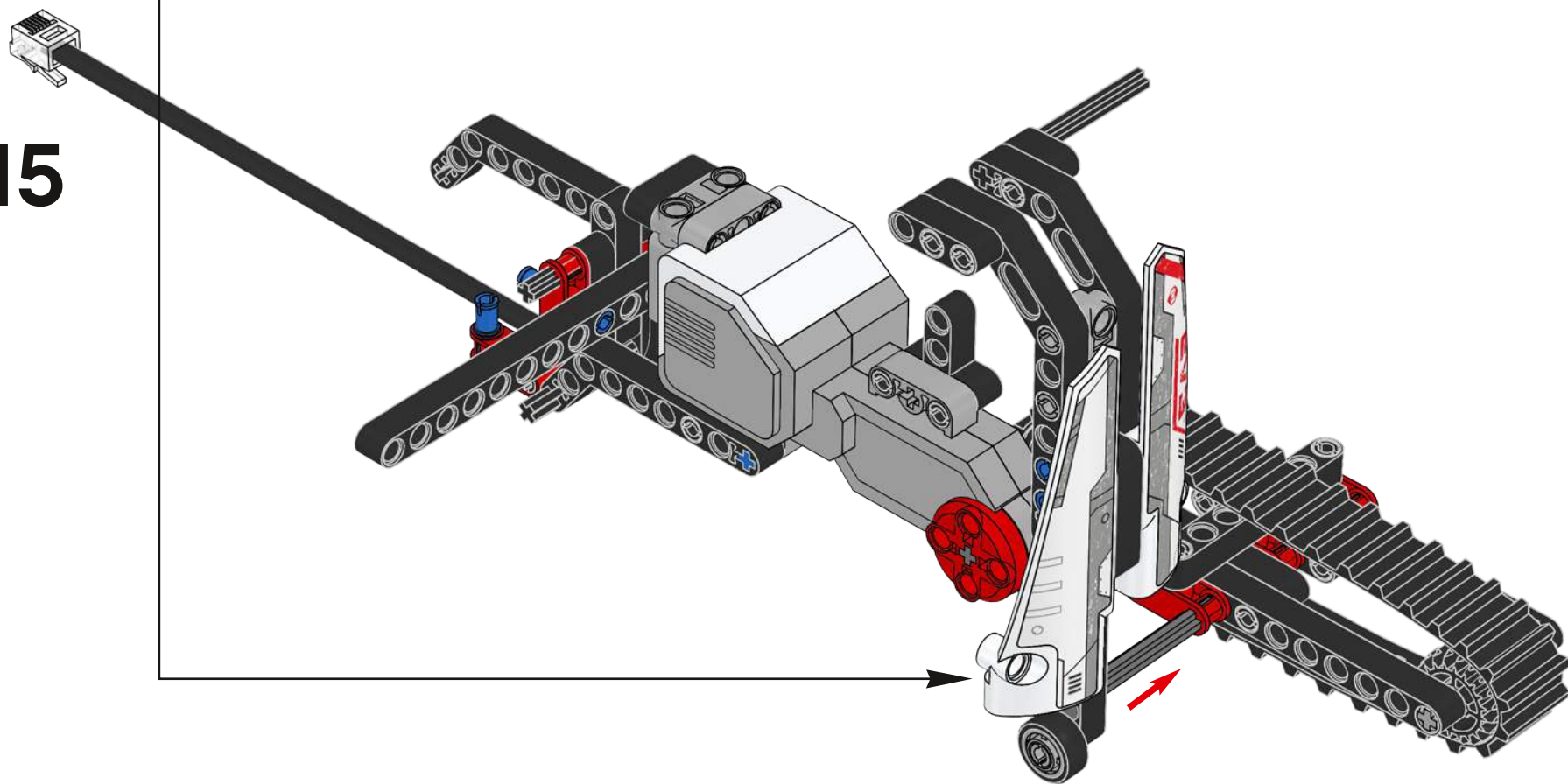
10



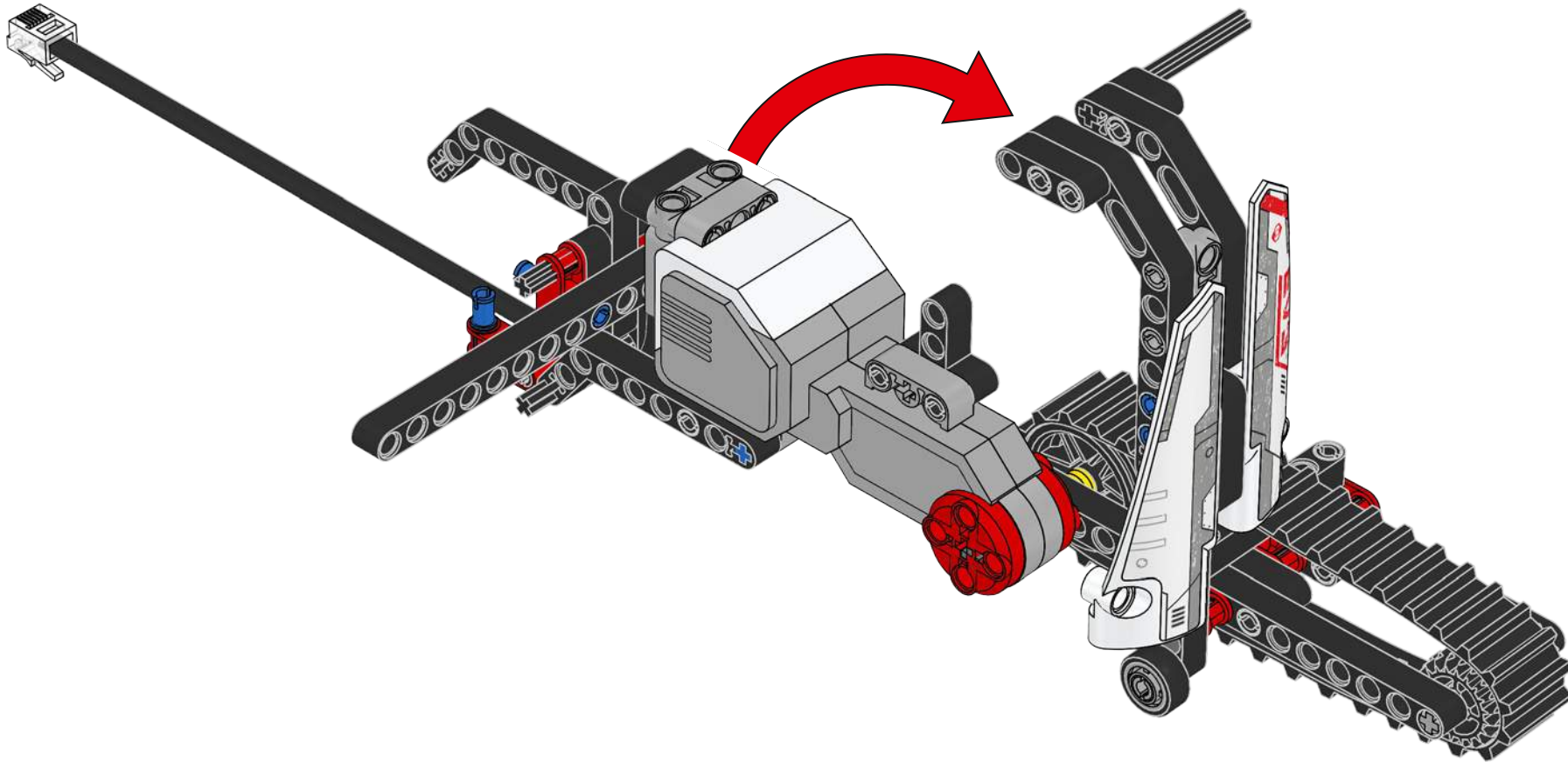
11



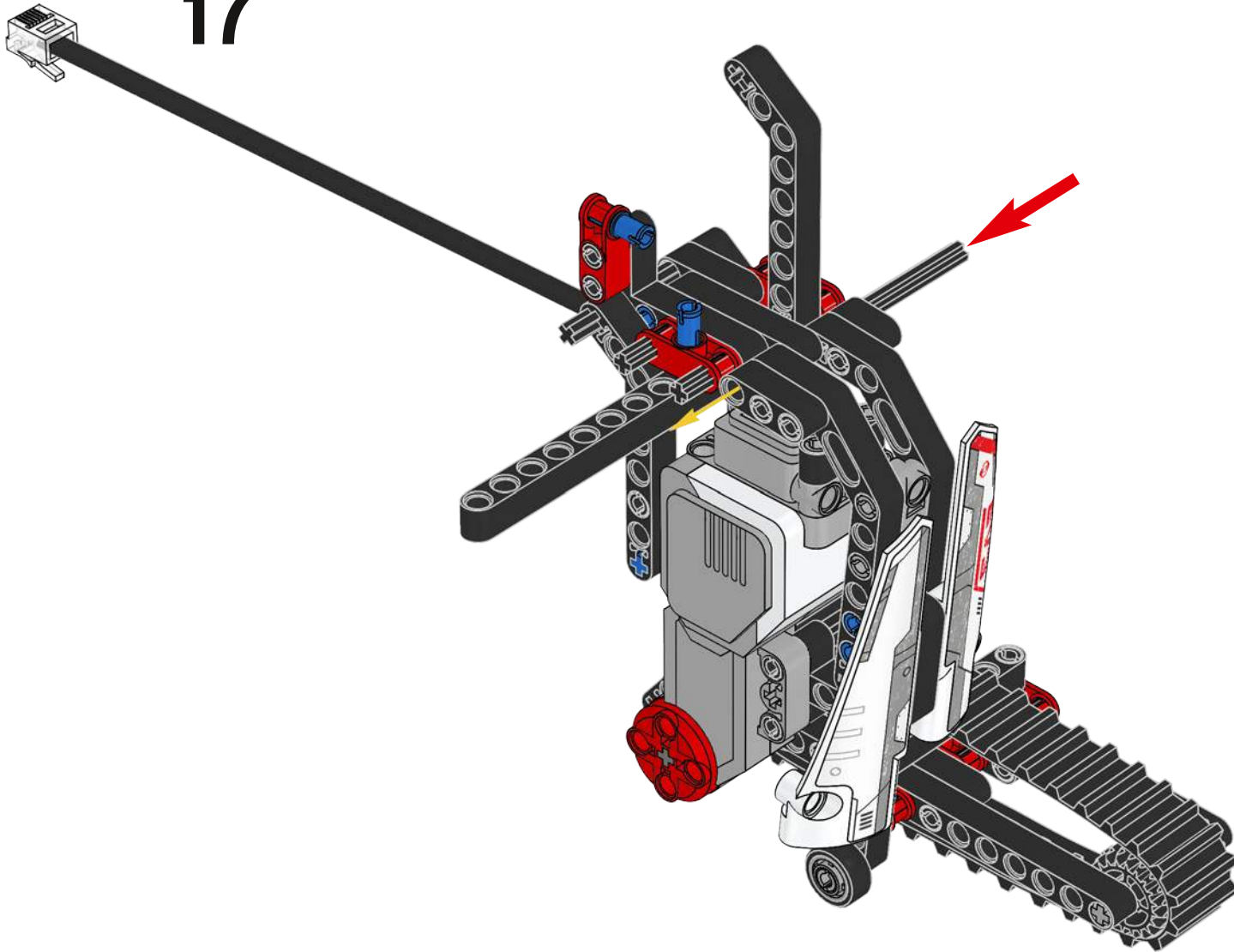
15



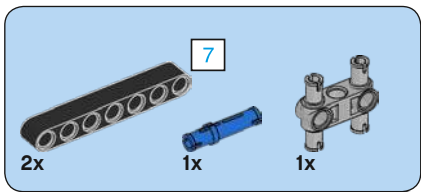
16



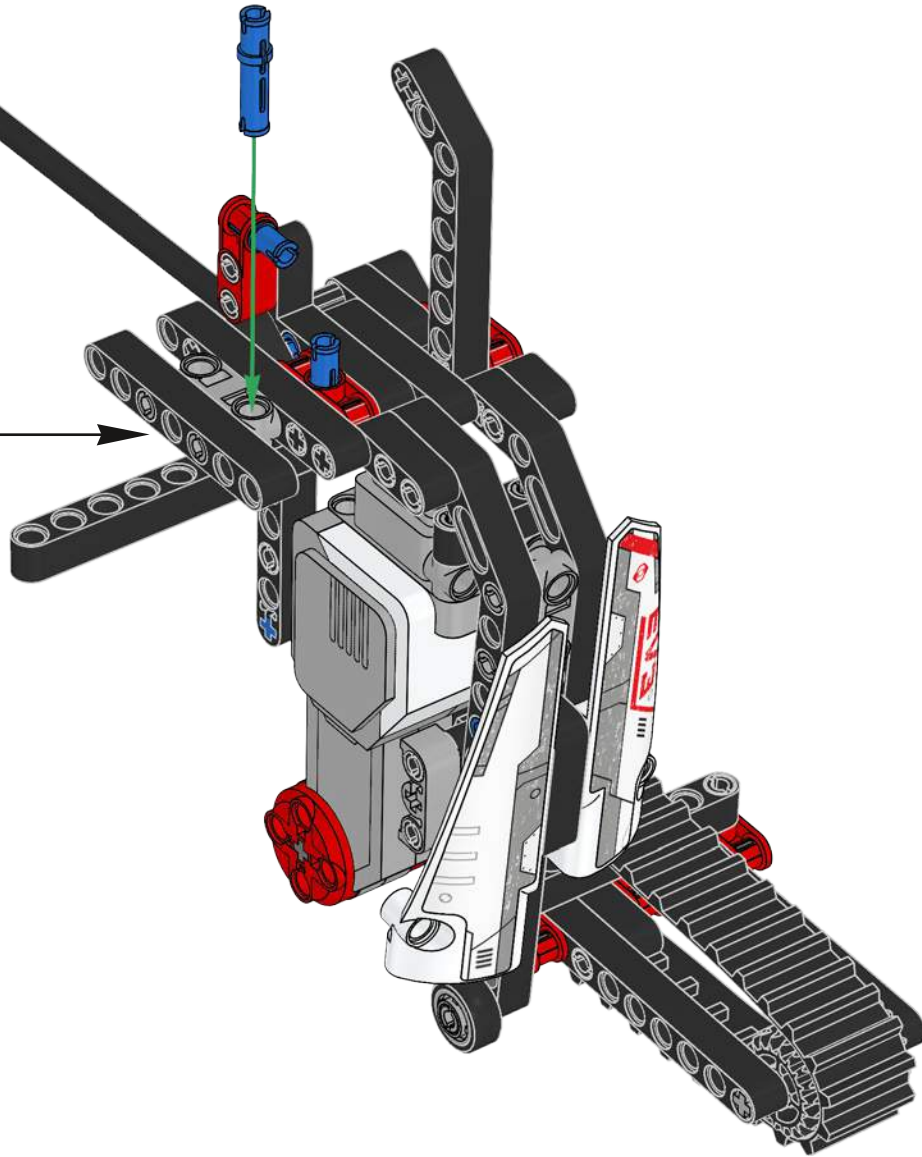
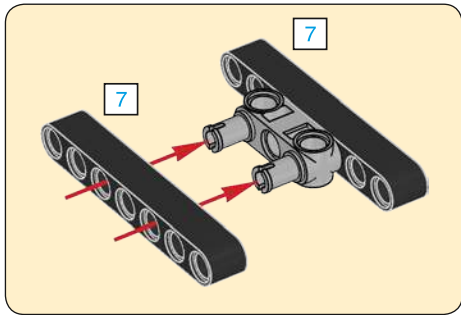
17

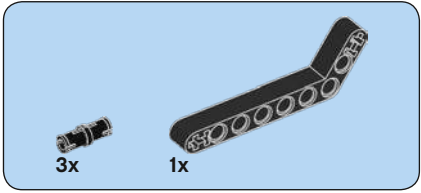
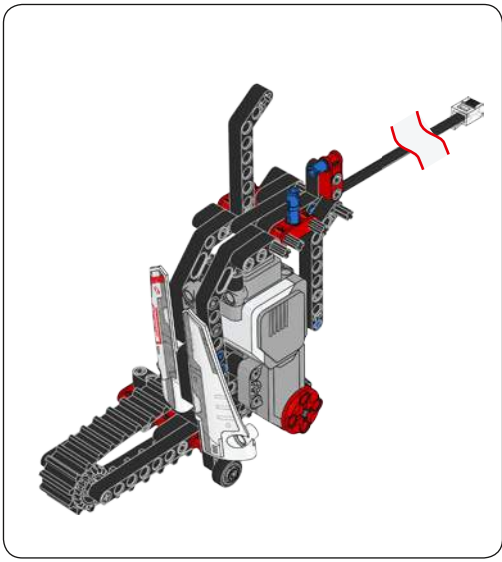




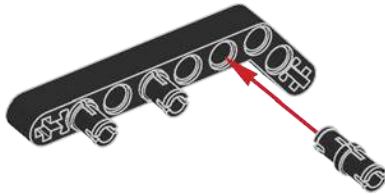


18



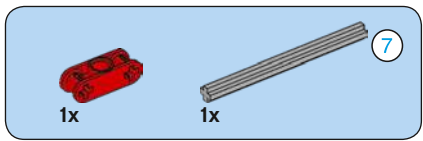


1

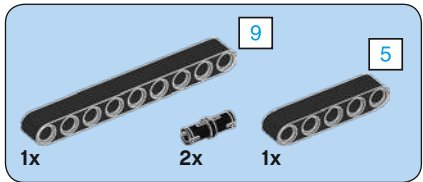
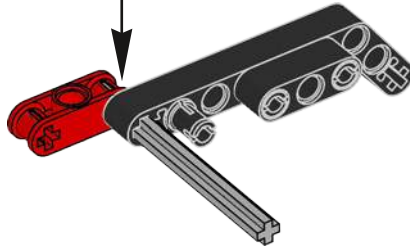
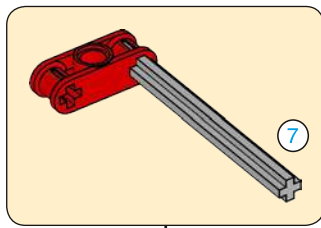


2

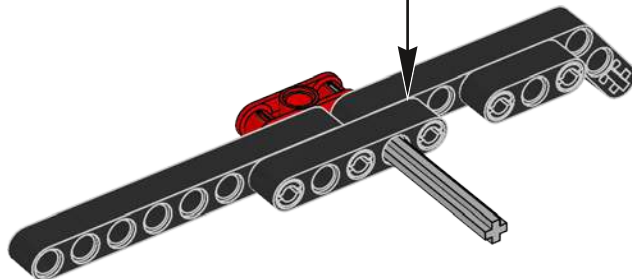
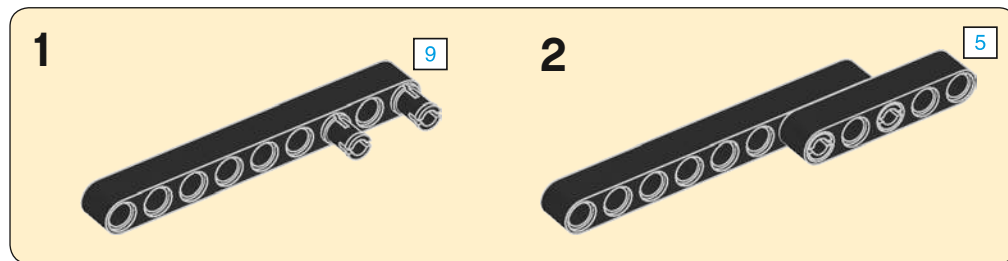


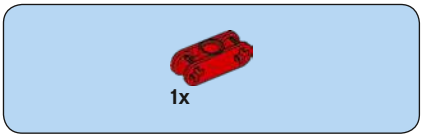


3

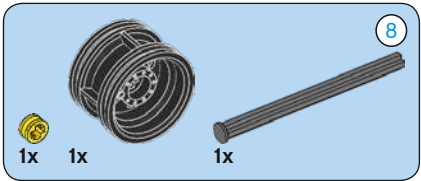
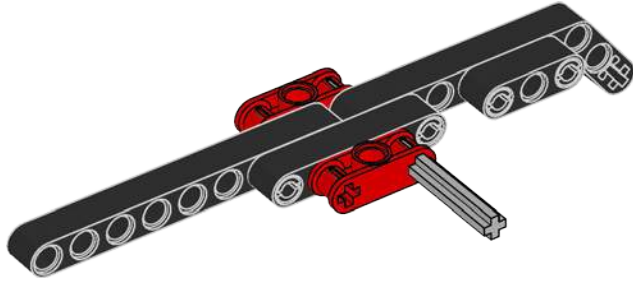


4

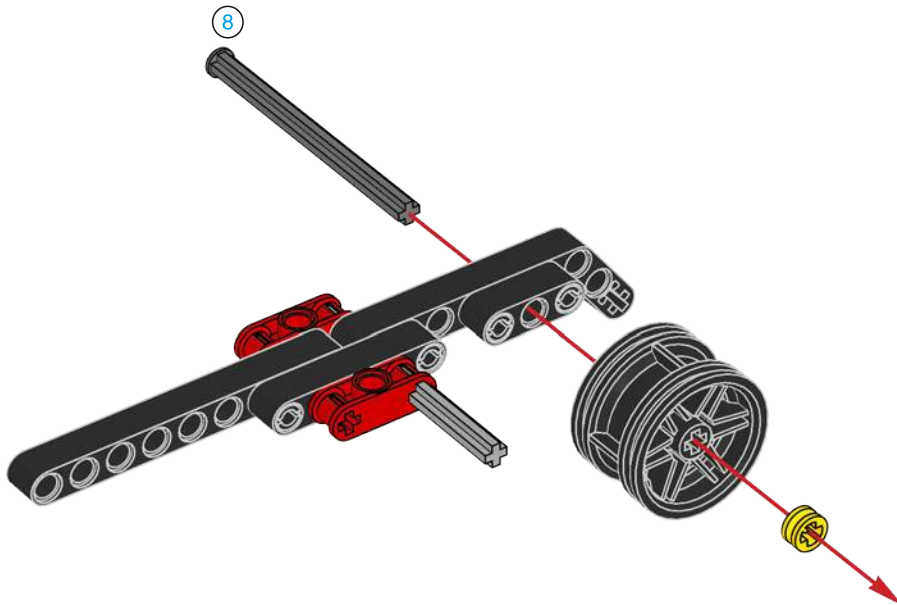


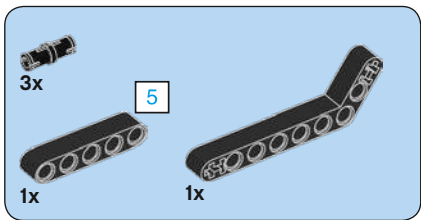


5

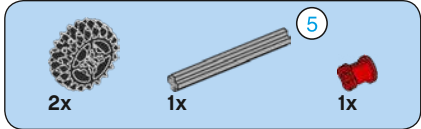
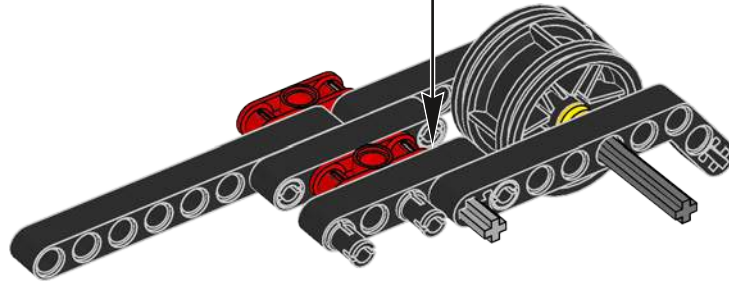
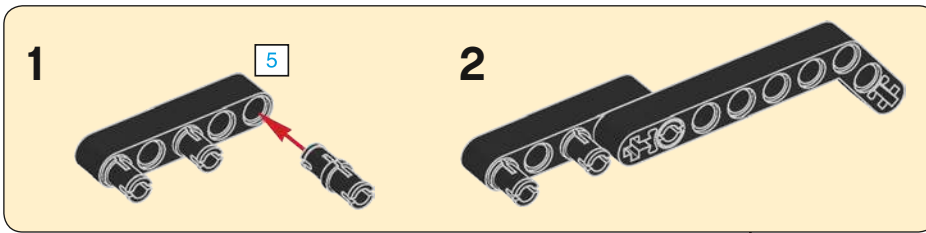


6

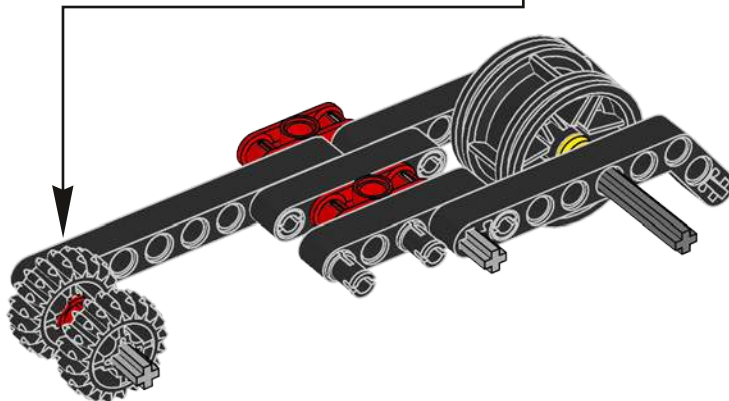
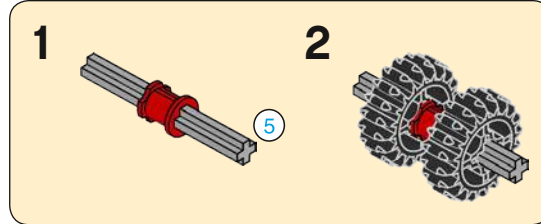


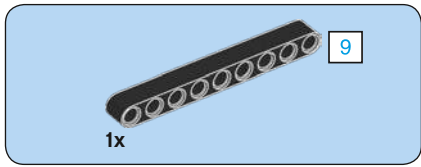


7

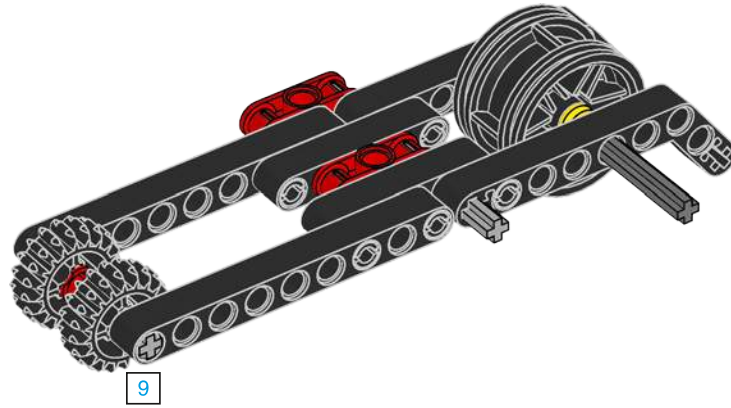


8

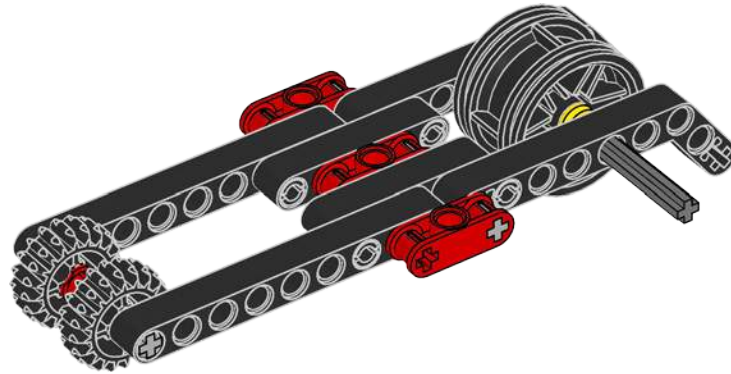




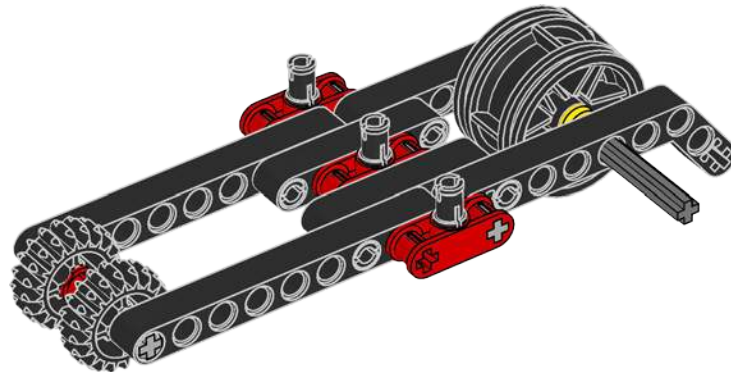
9



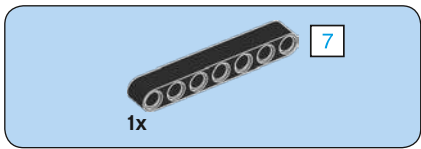
10



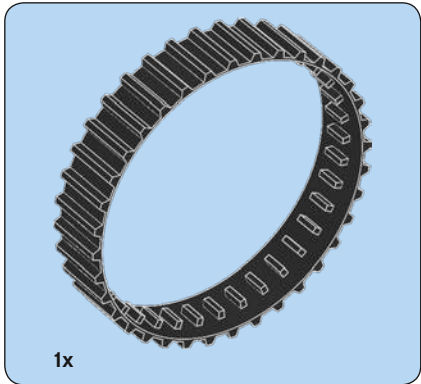
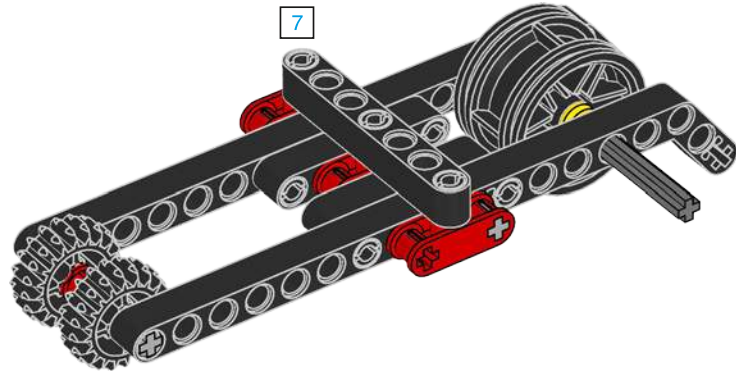
11



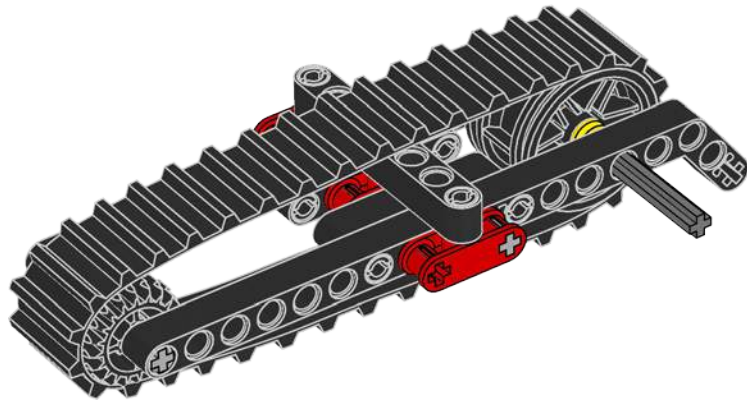


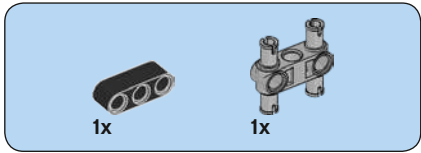
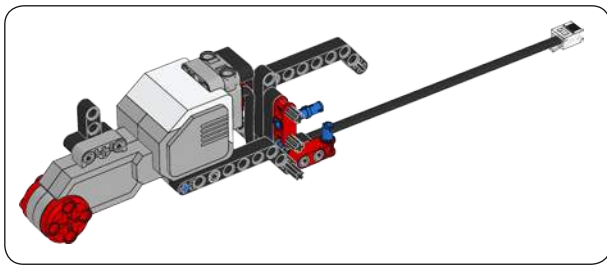


12

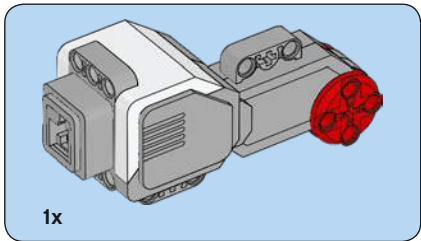
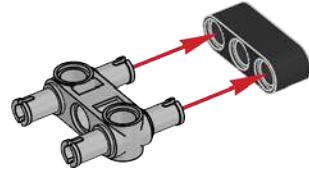


13

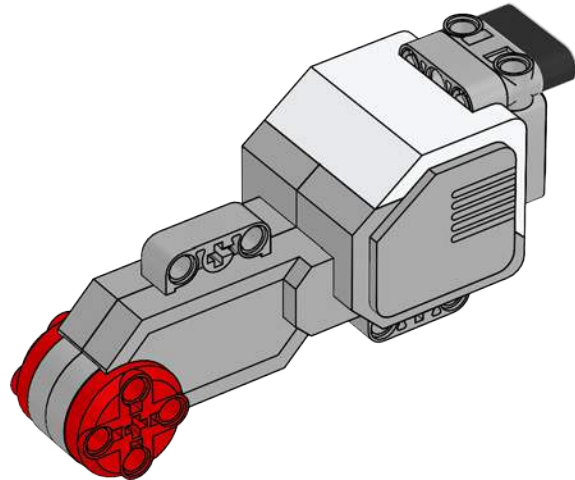


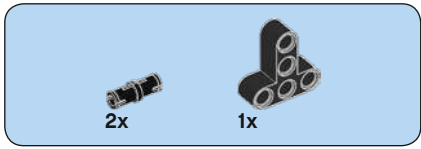


1

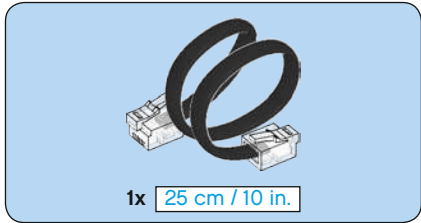
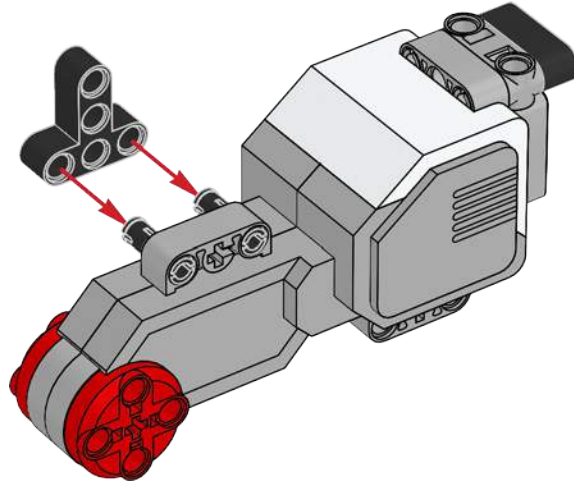


2

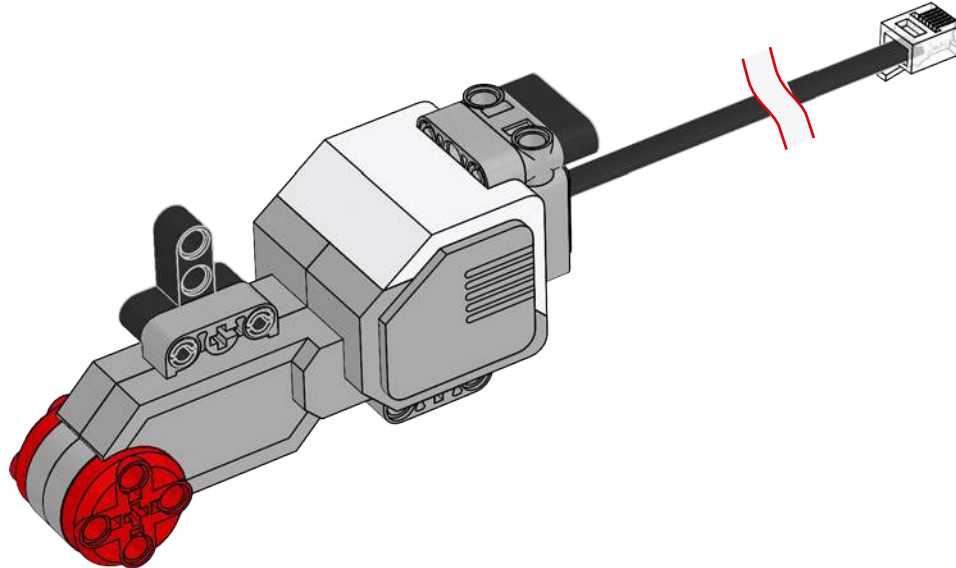


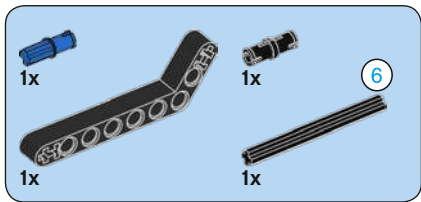


3

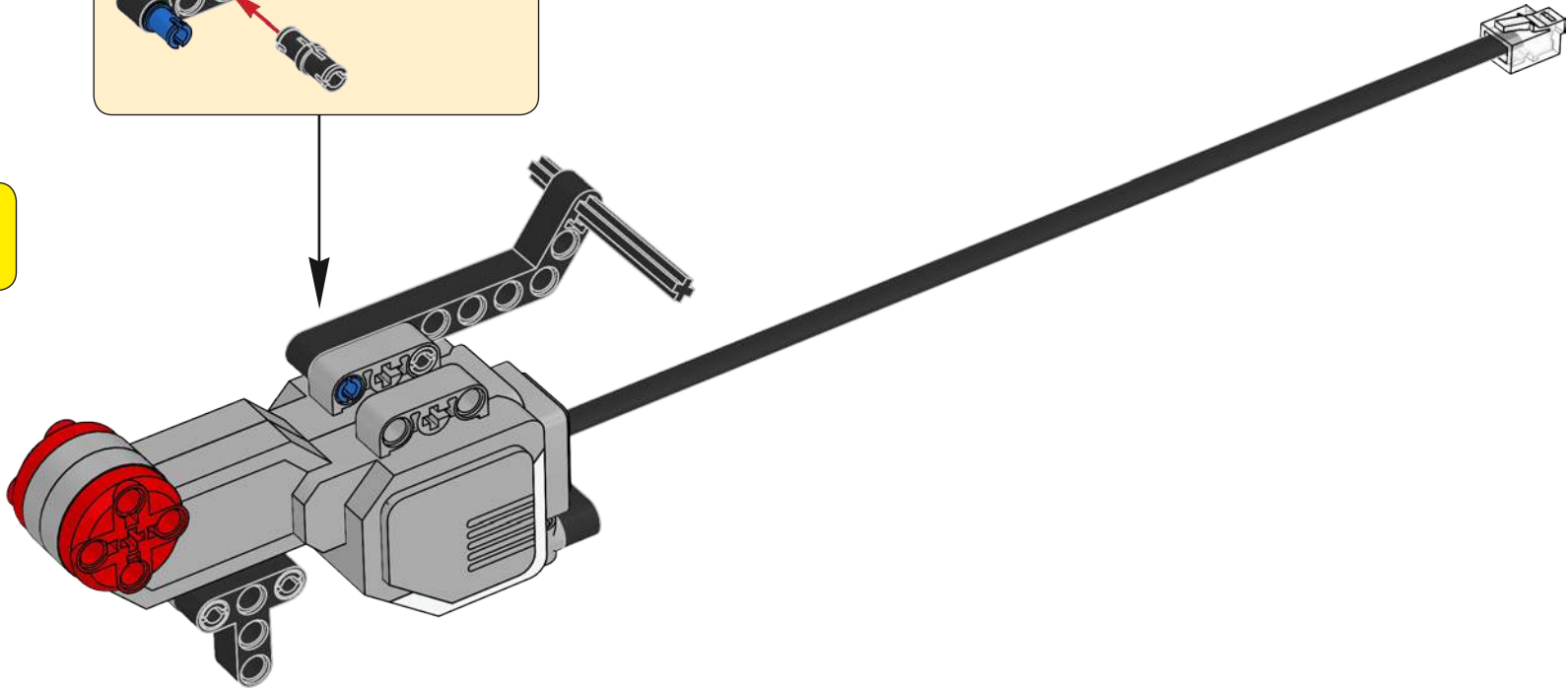
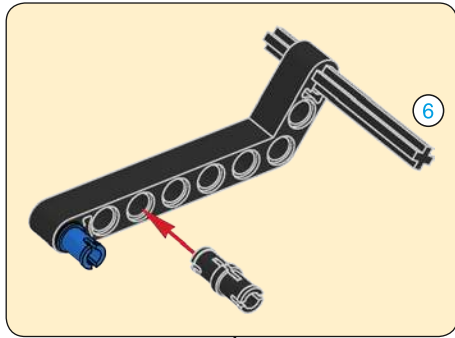


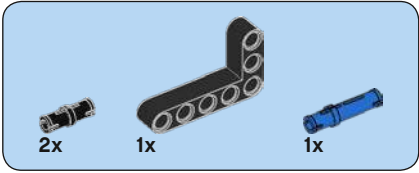
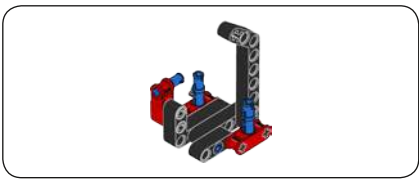
4



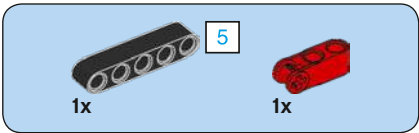
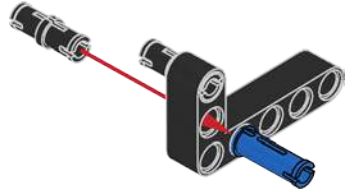


5

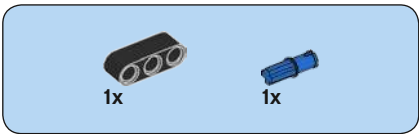
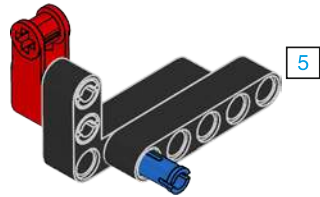




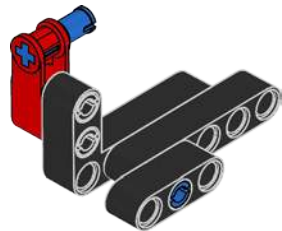
1

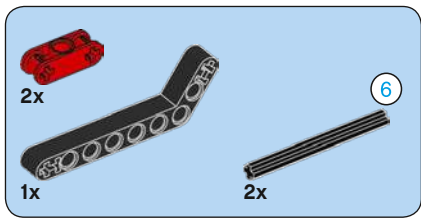


2

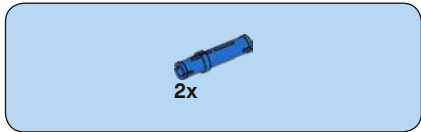
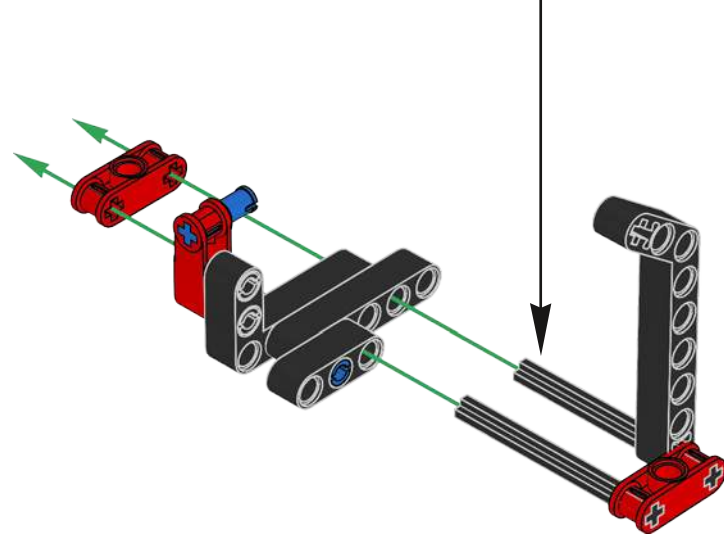
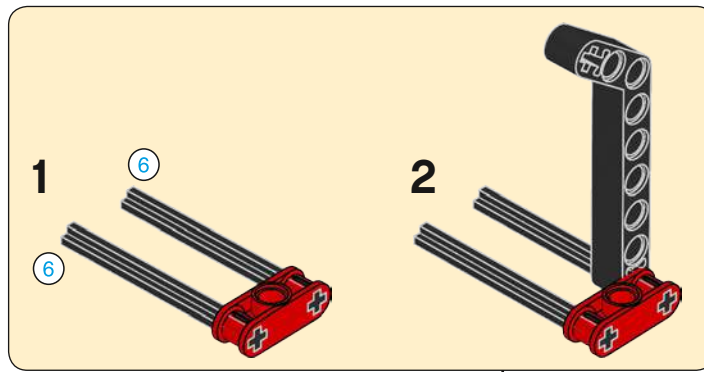


3

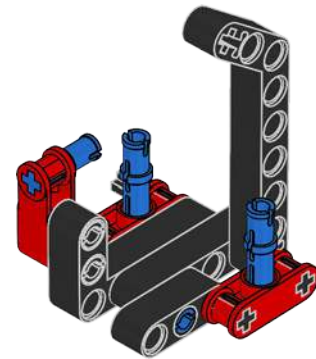




4

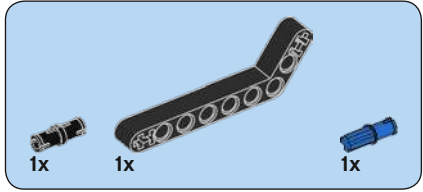
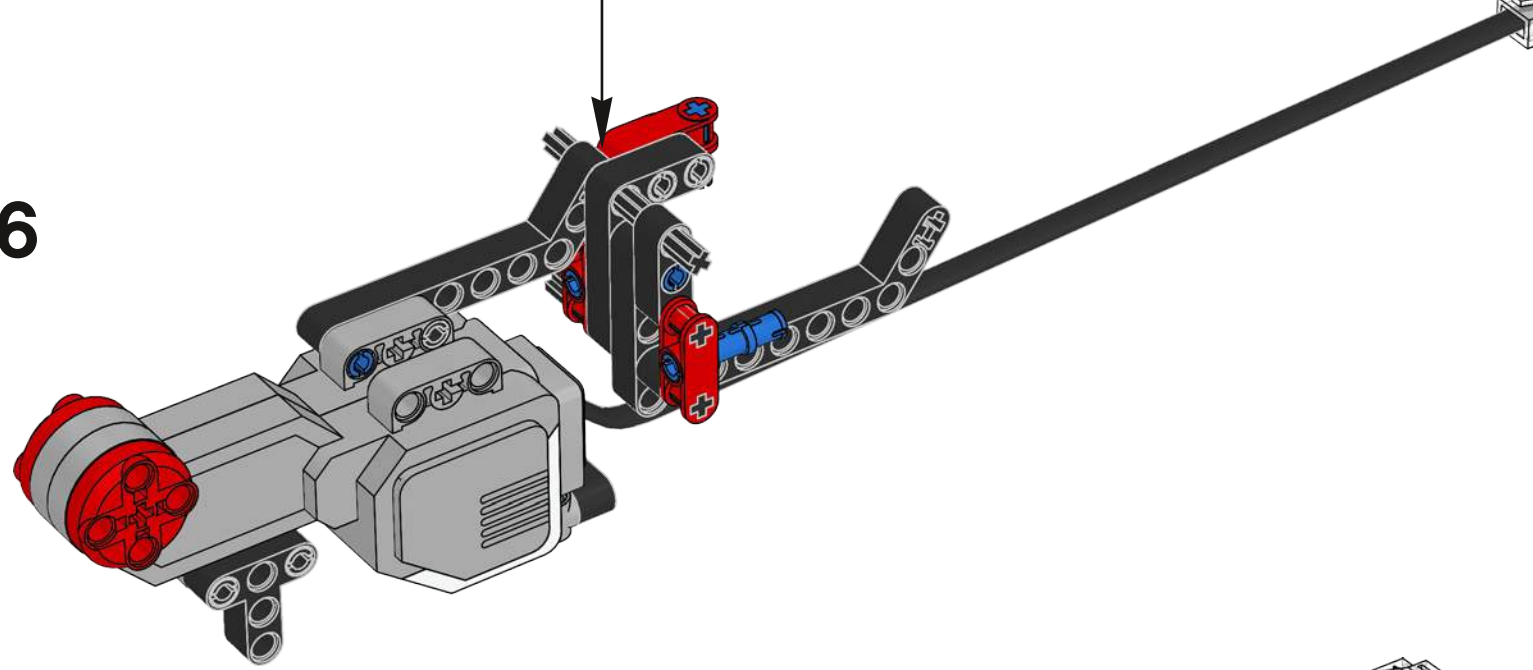


5

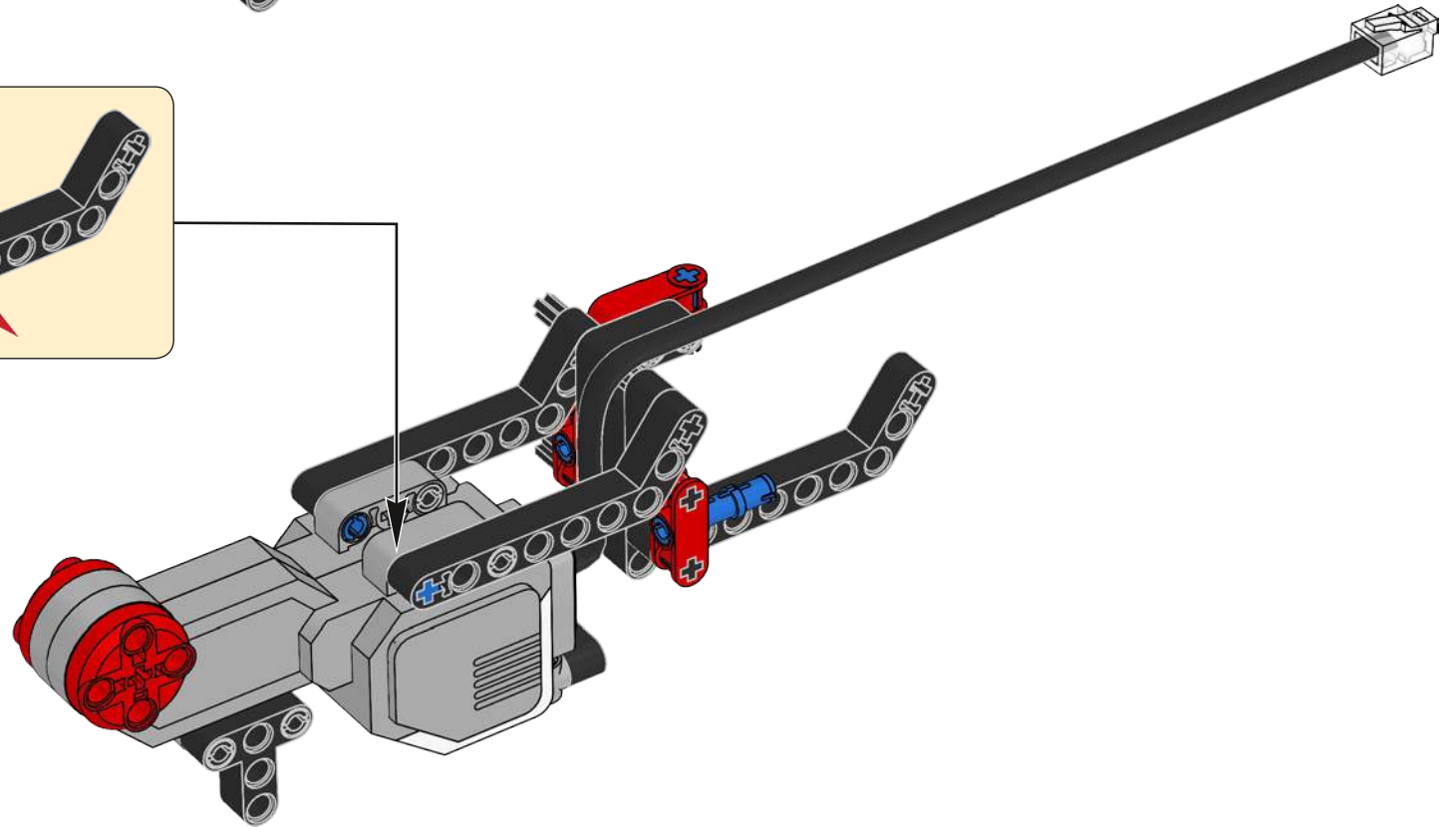
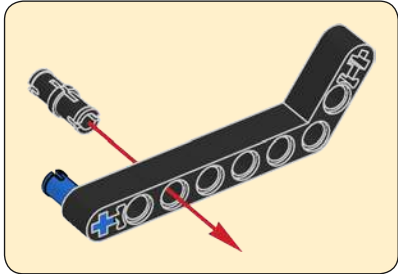




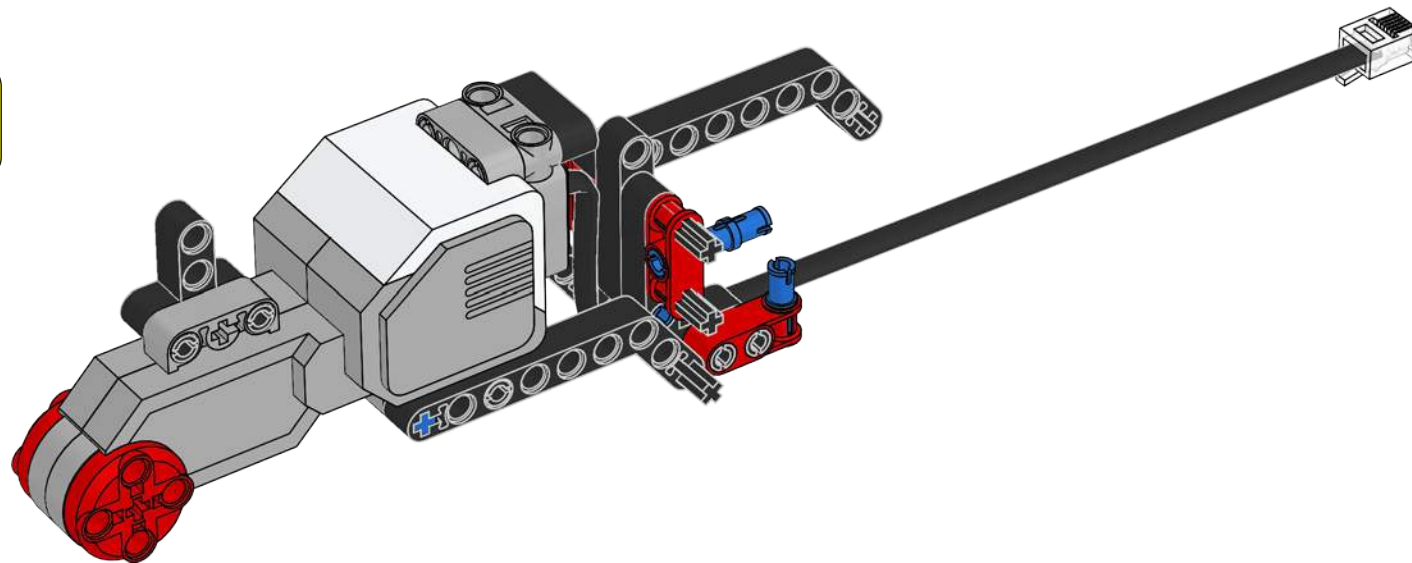
6



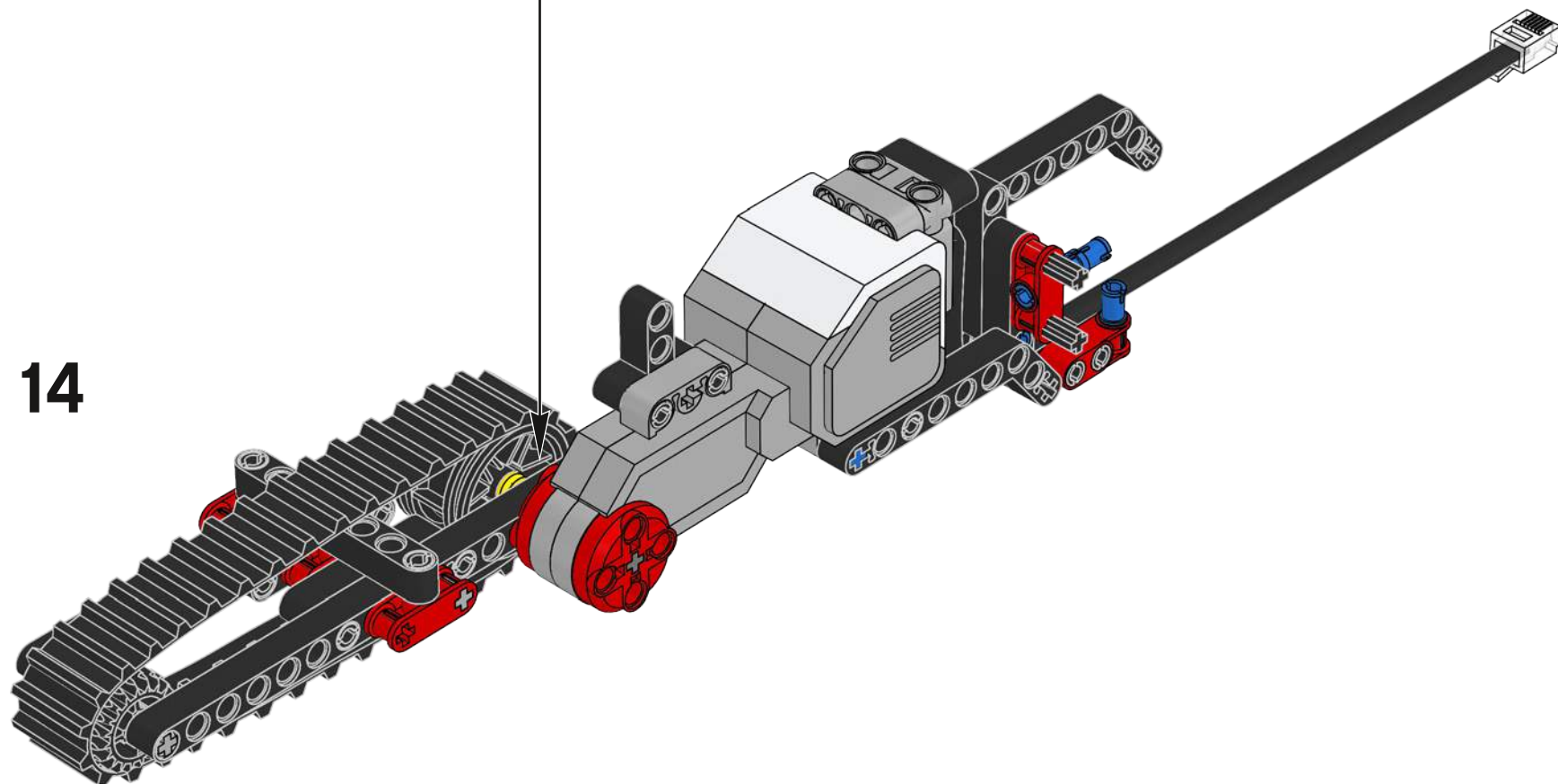
7

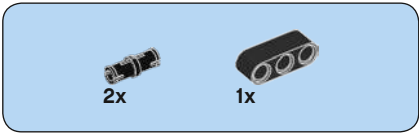
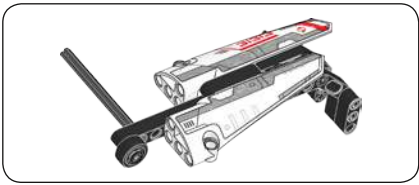


8

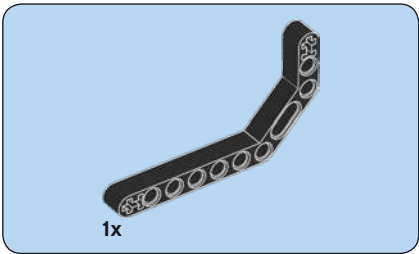
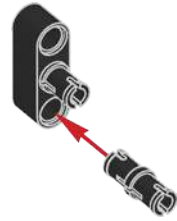


14



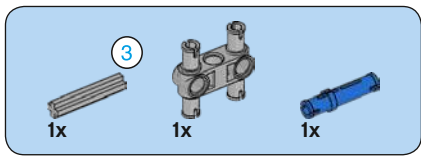


1

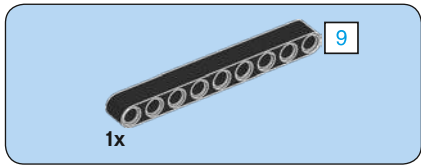
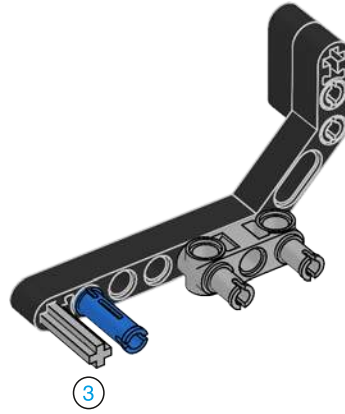


2

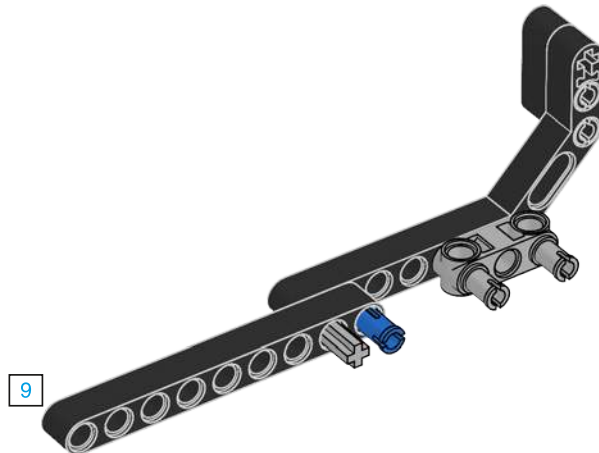


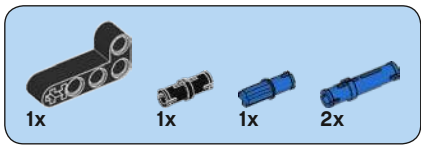


3

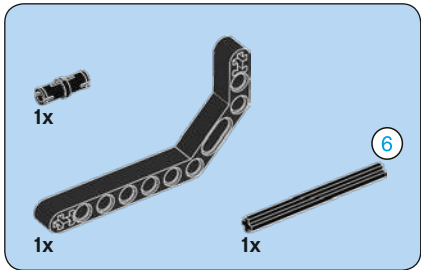
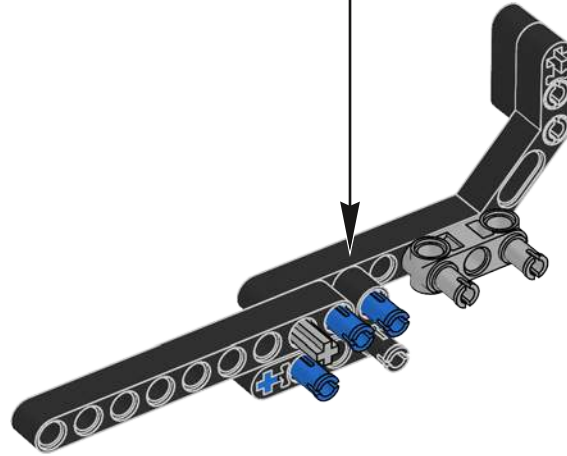
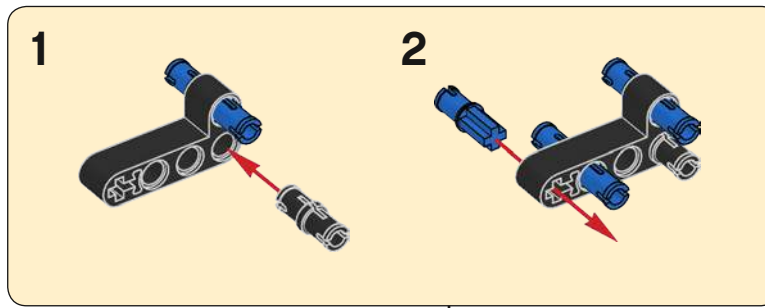


4

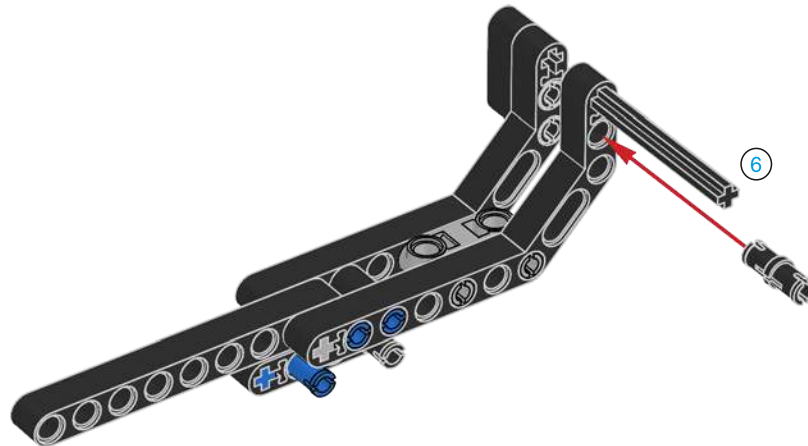


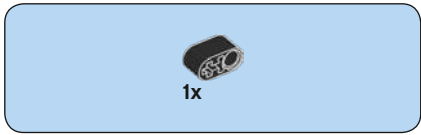


5

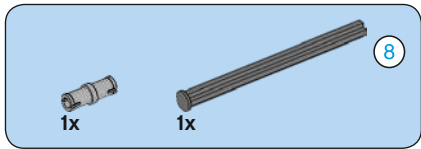
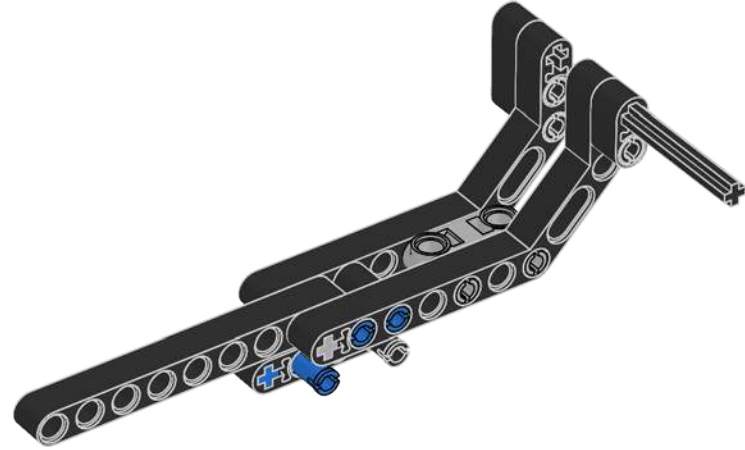


6

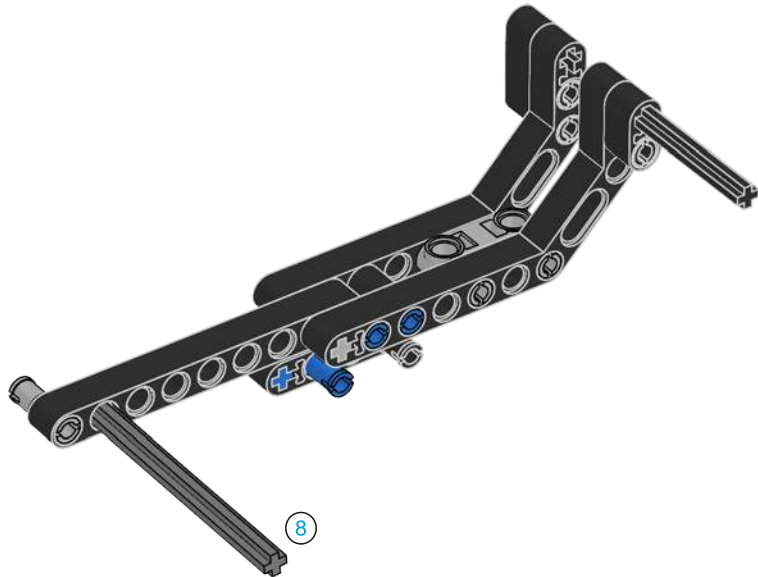




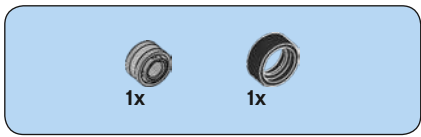
7



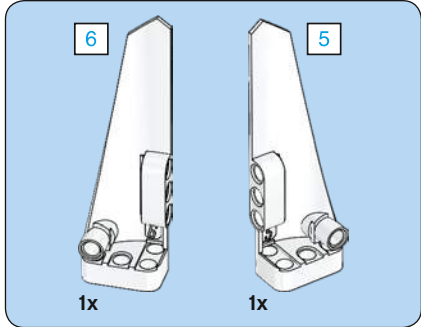
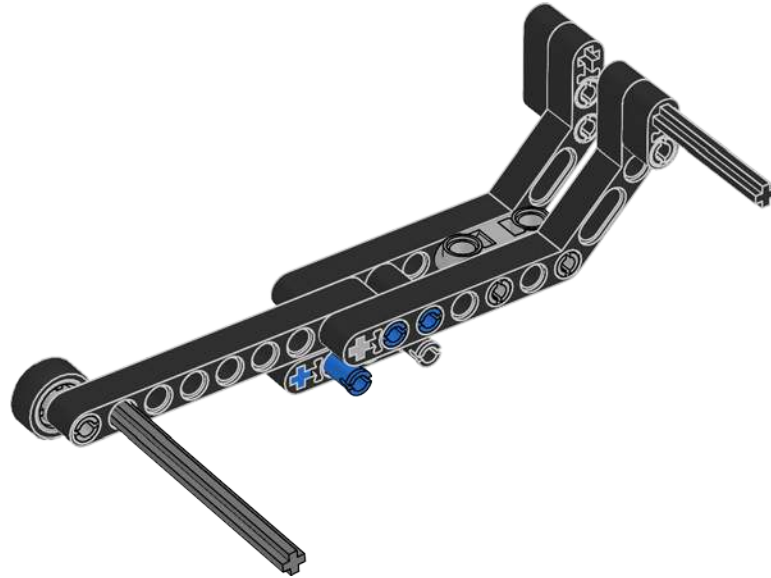
8



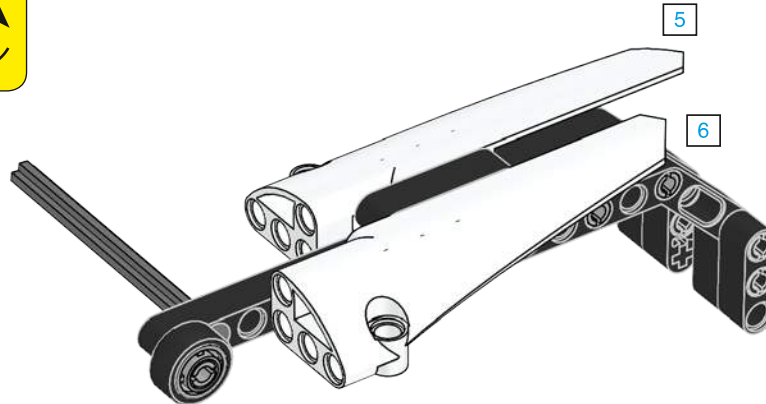




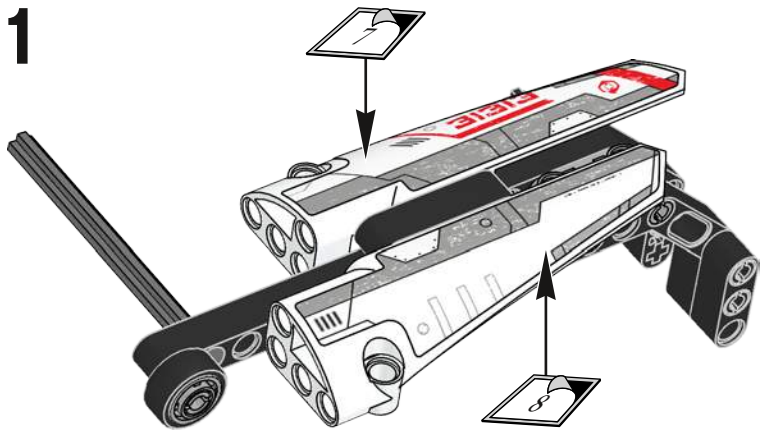
9



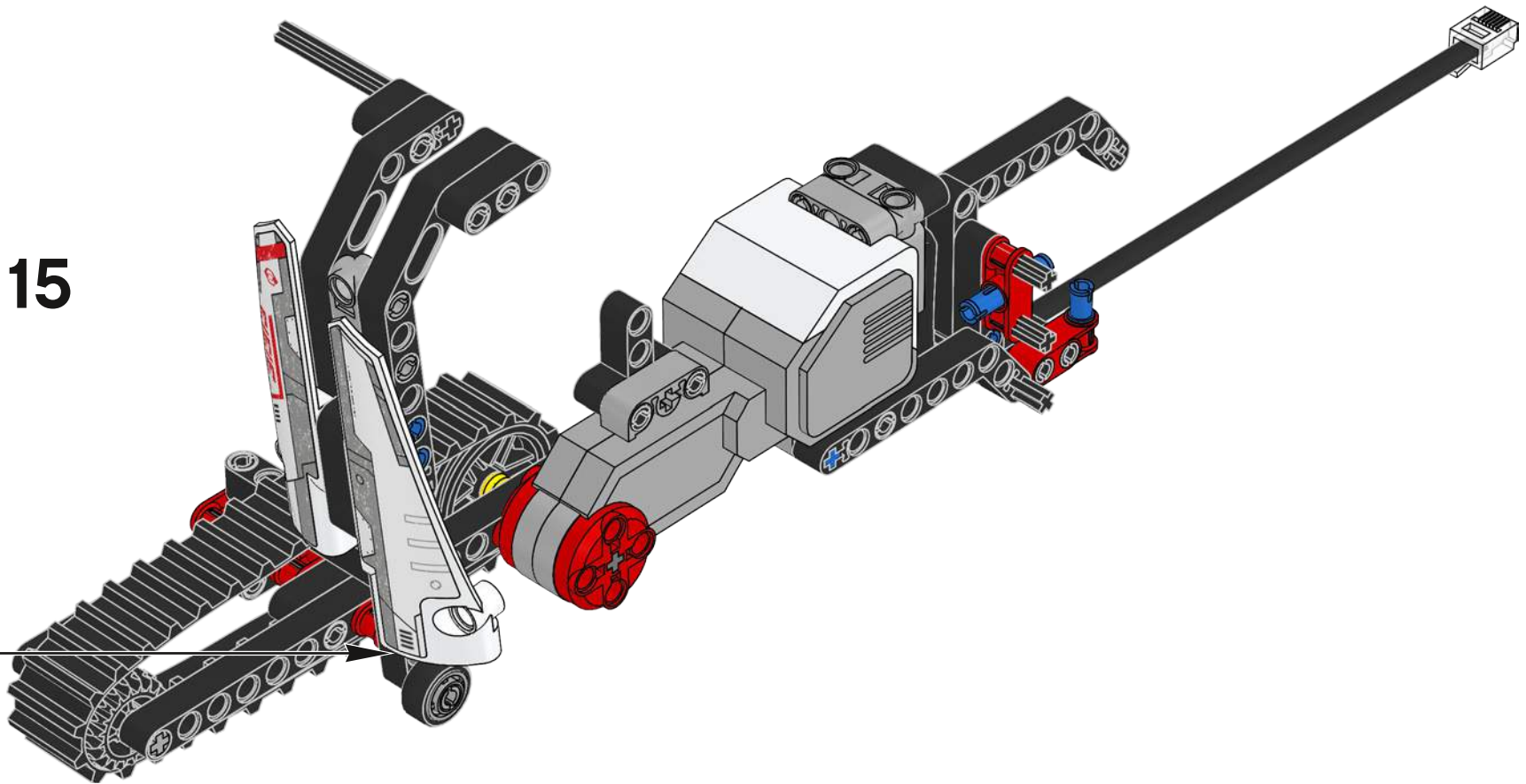
10



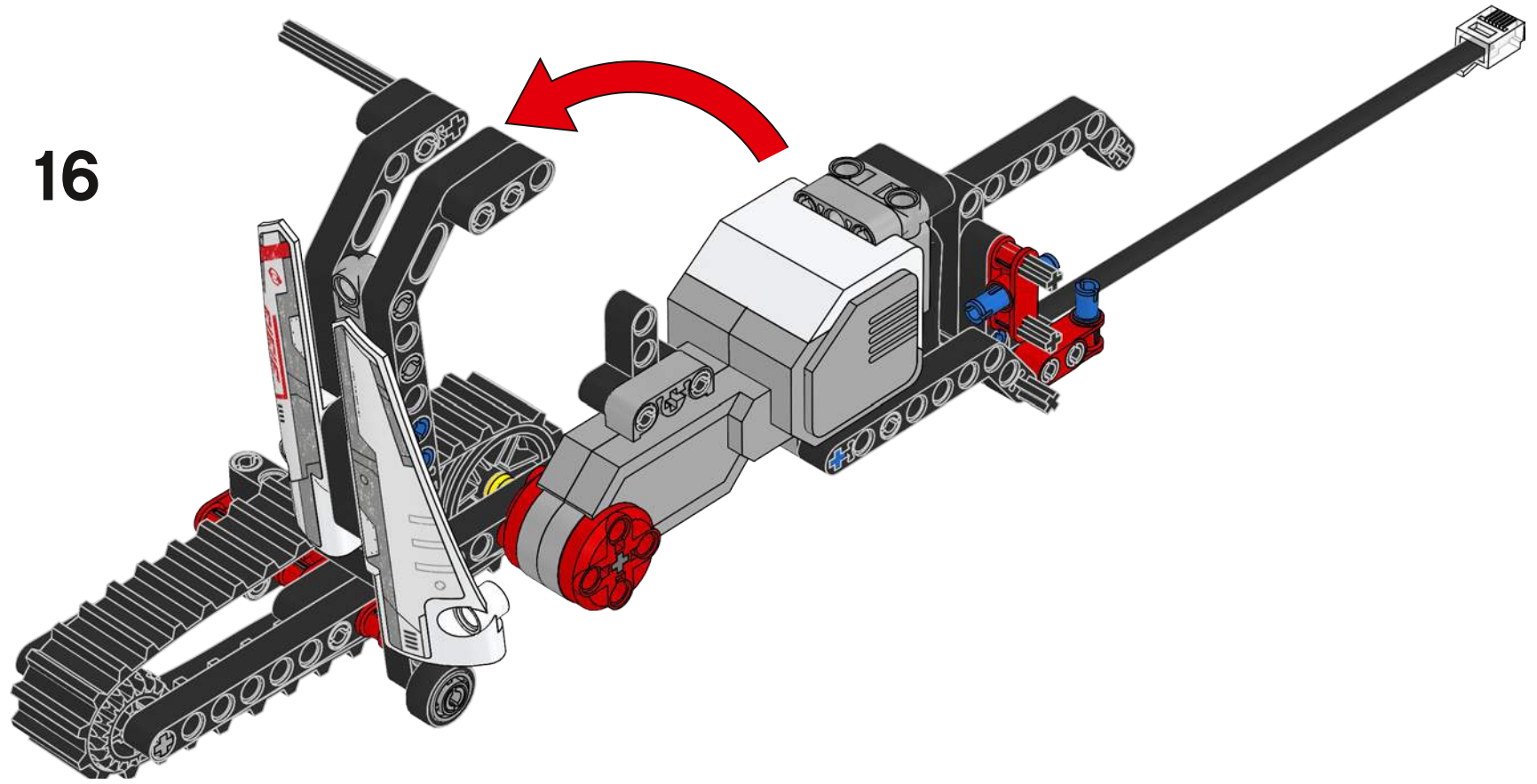
11



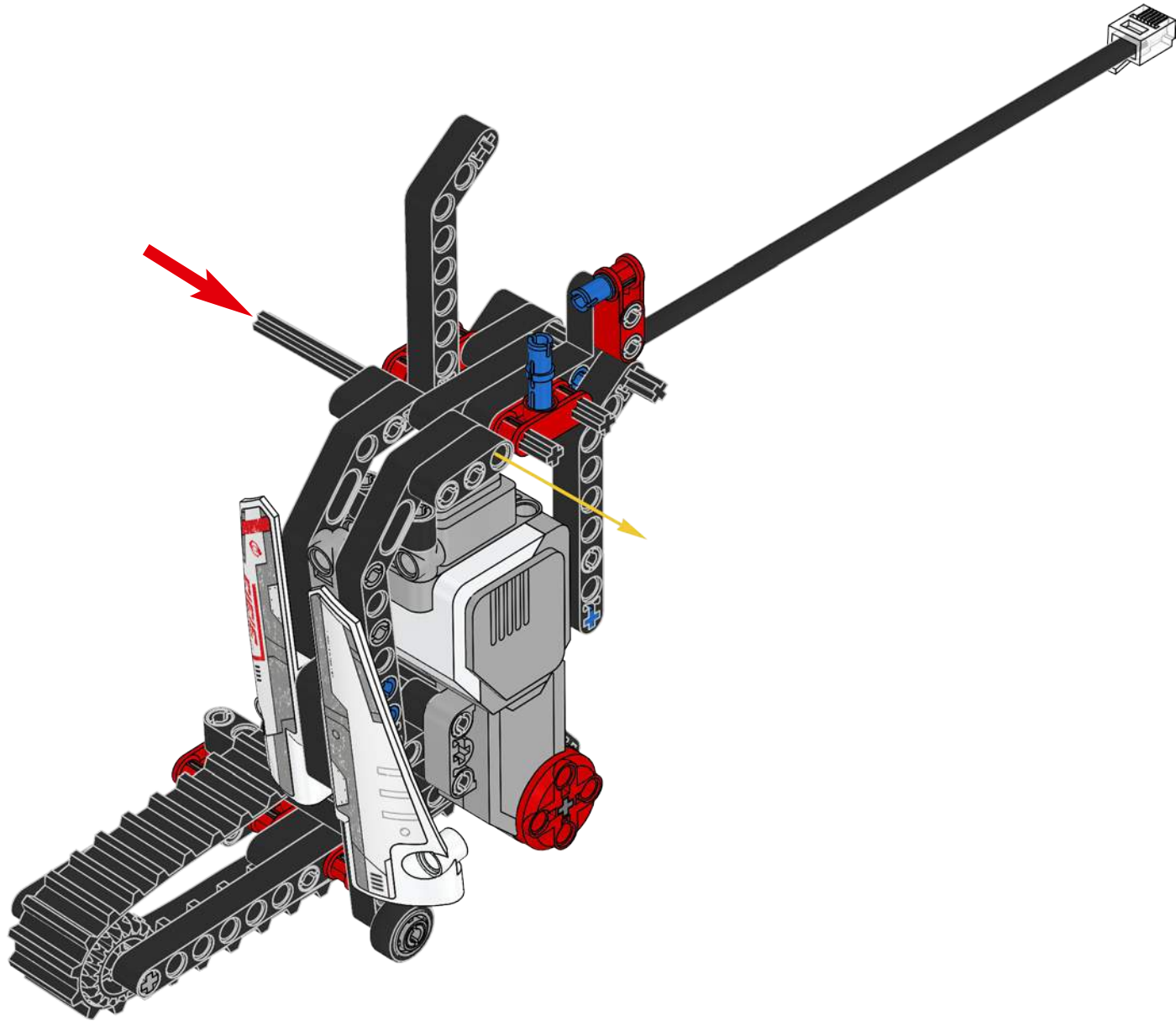
15



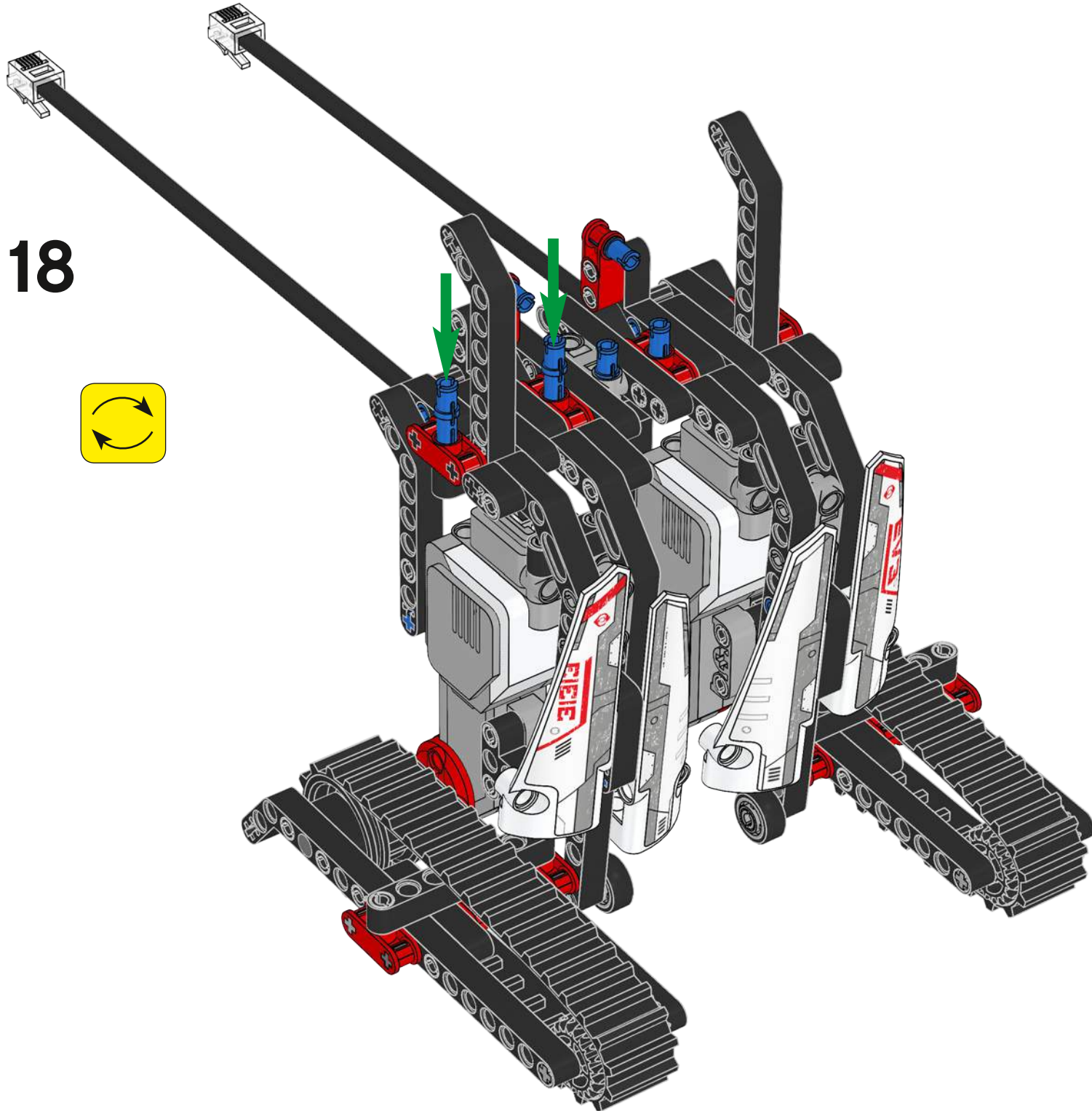
16



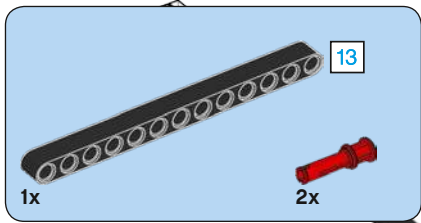
17



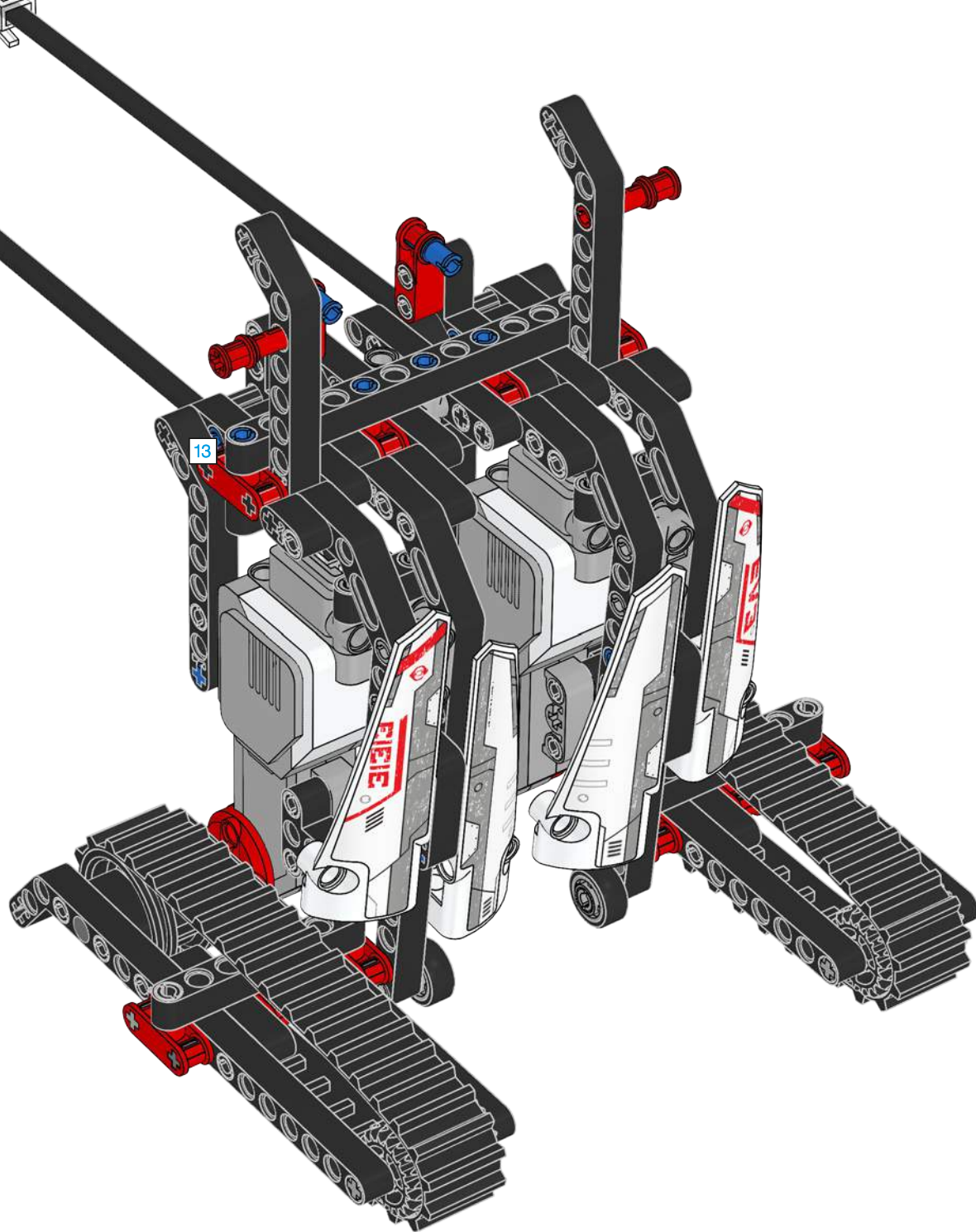
18

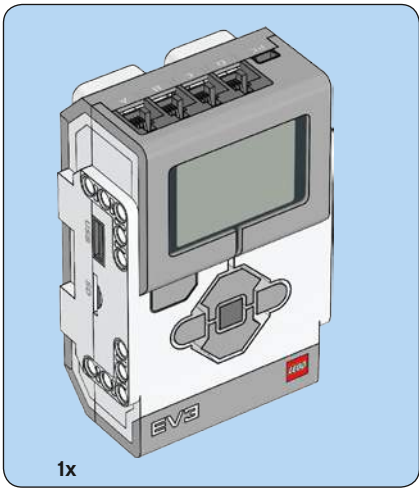






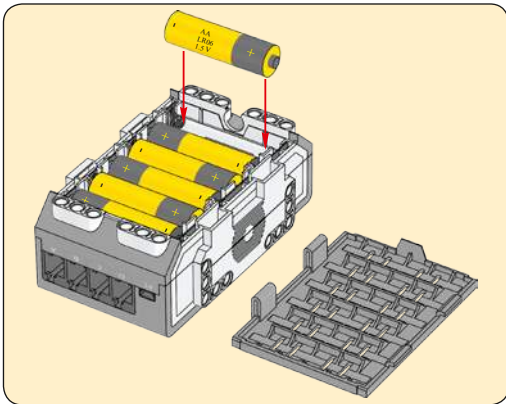
19





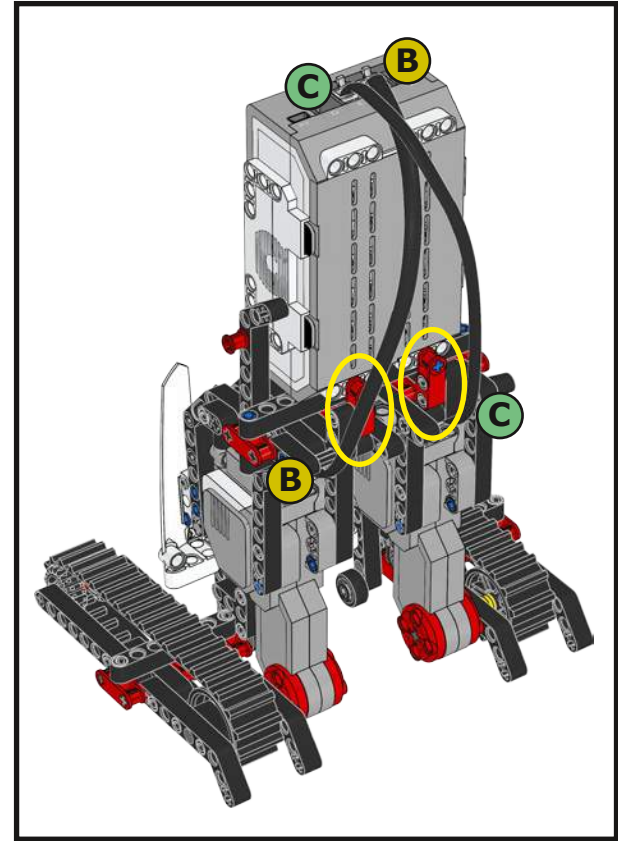
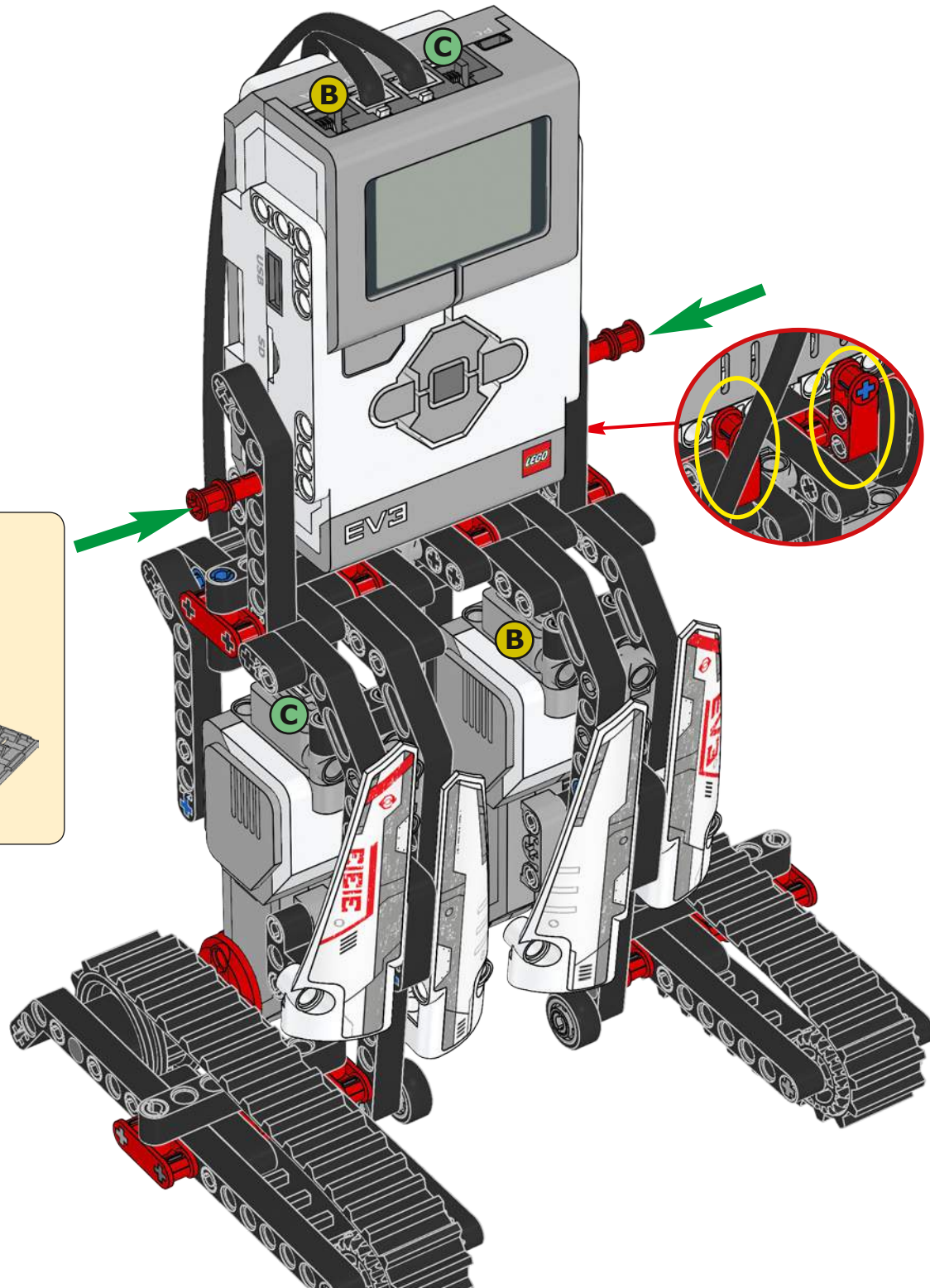
1x

# 20

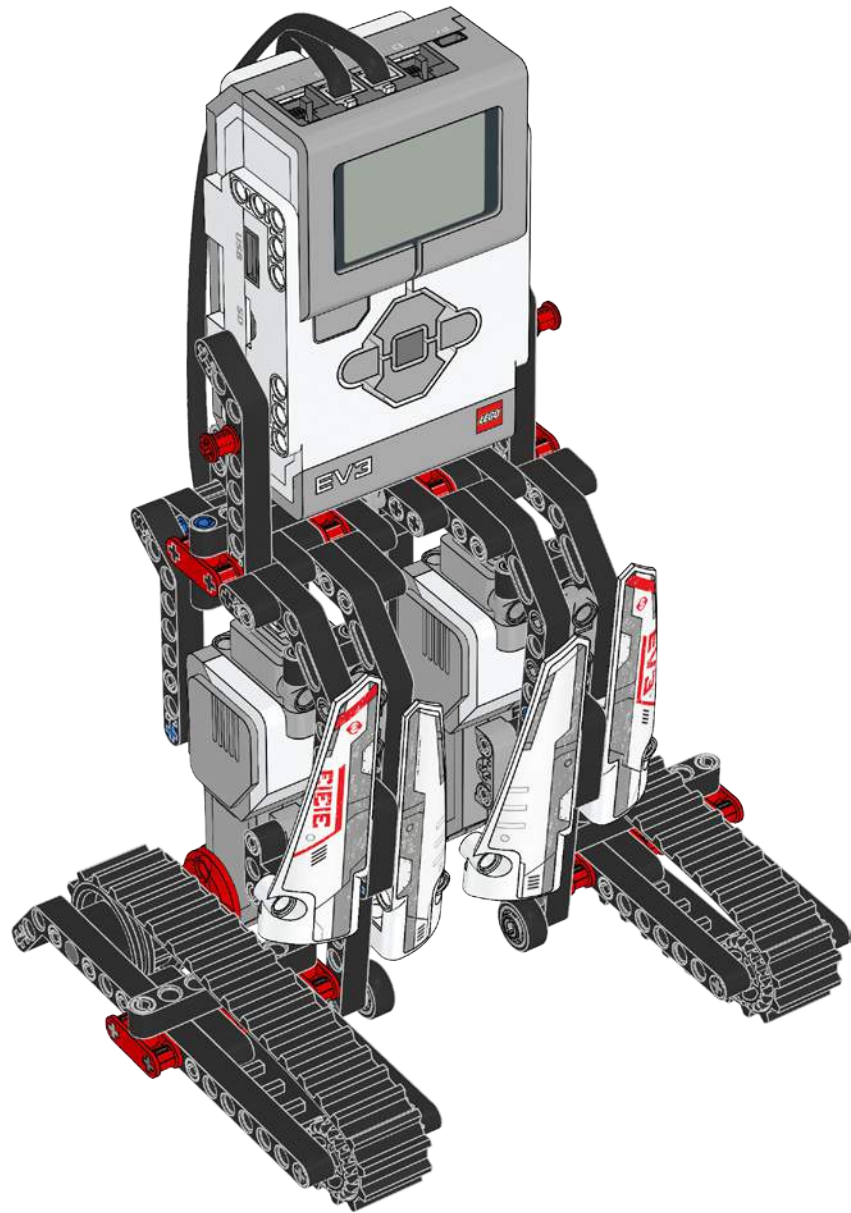


AA  
LR06  
1.5 V

x6







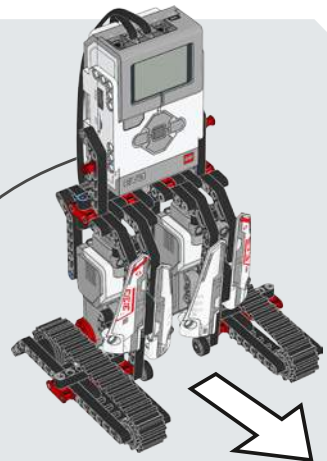


**LEGO® MINDSTORMS®**  
EV3 Programmer  
The LEGO Group



# MISSION 01

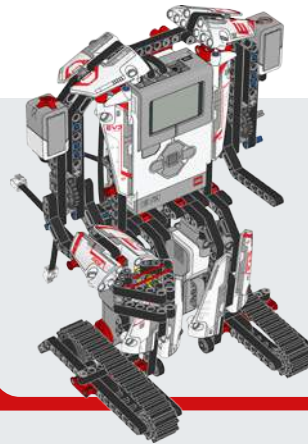
 [LEGO.com/mindstorms/software](http://LEGO.com/mindstorms/software)

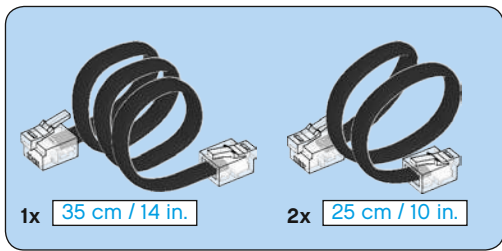


# MISSION 02



54-84

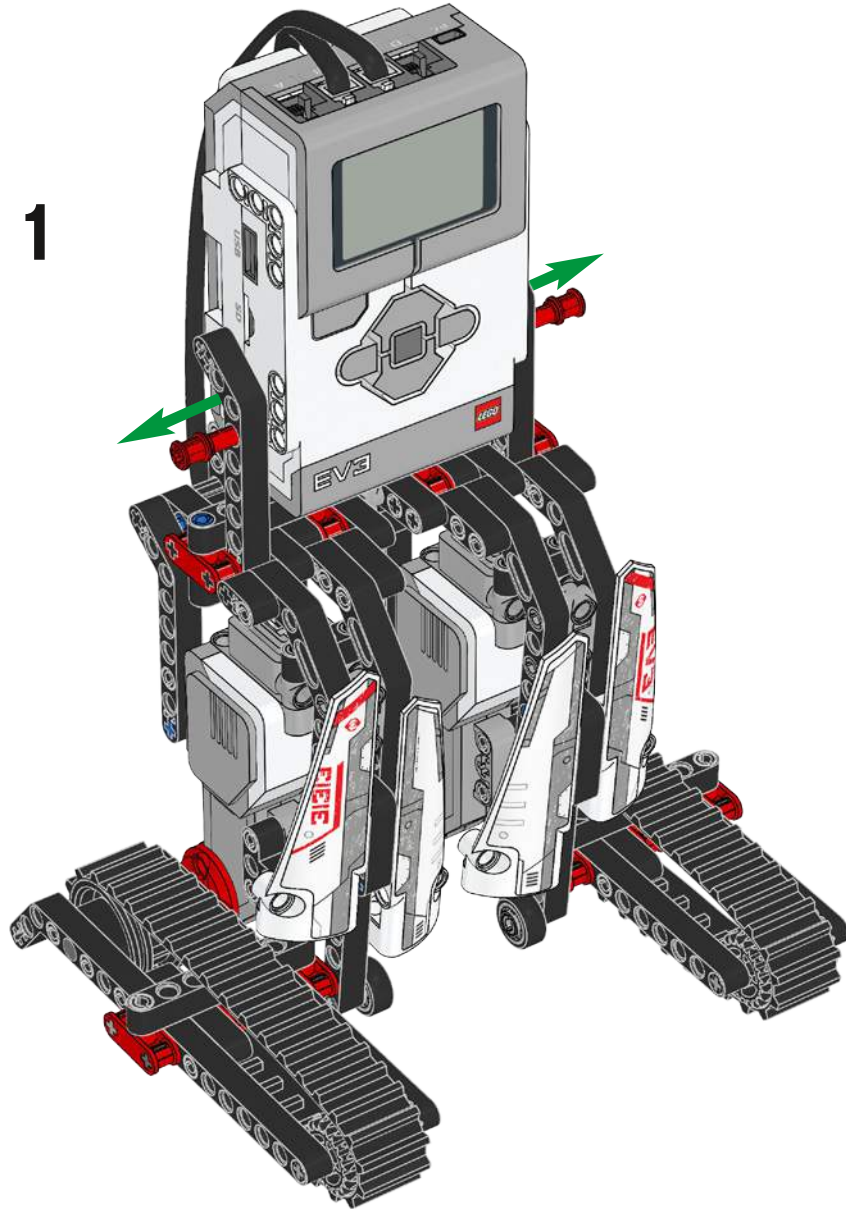


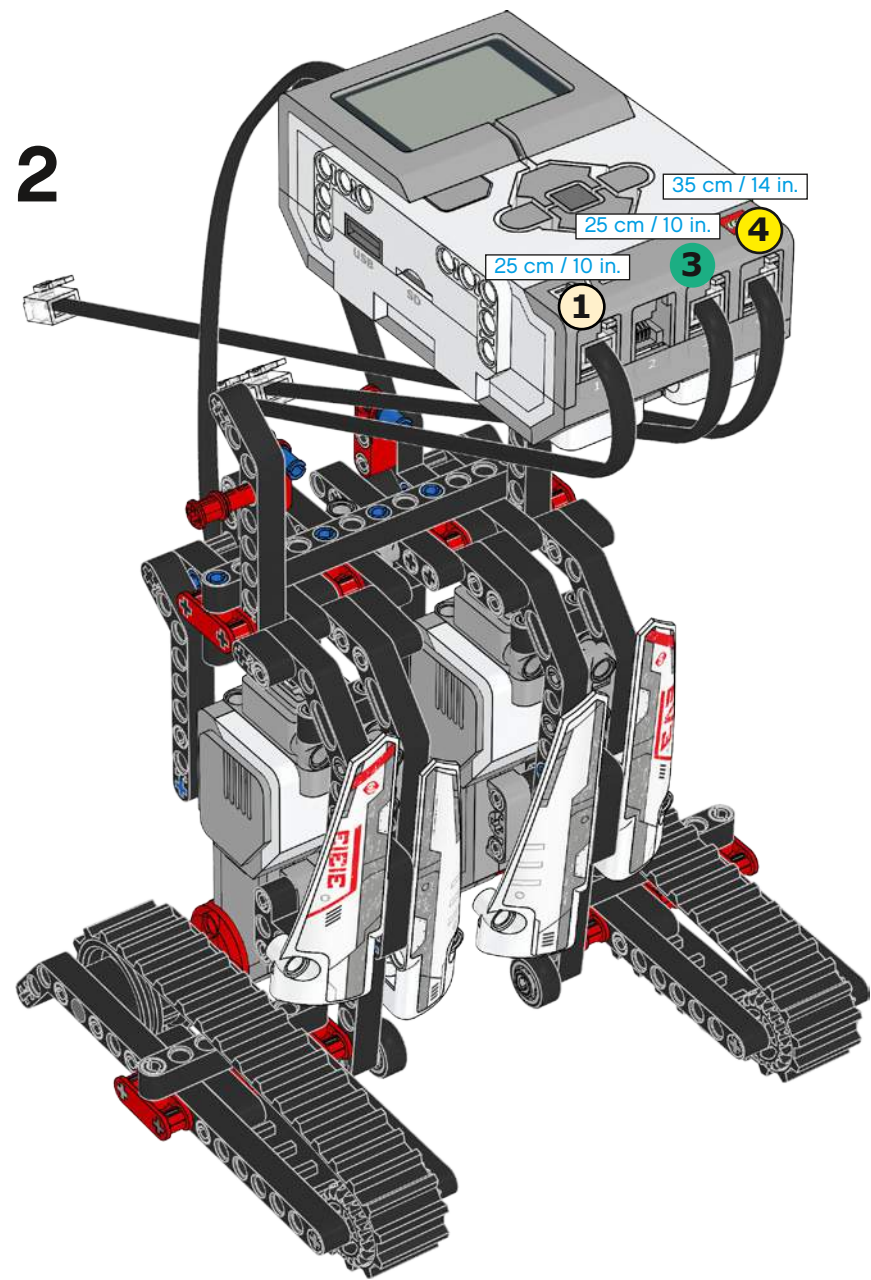


# 21

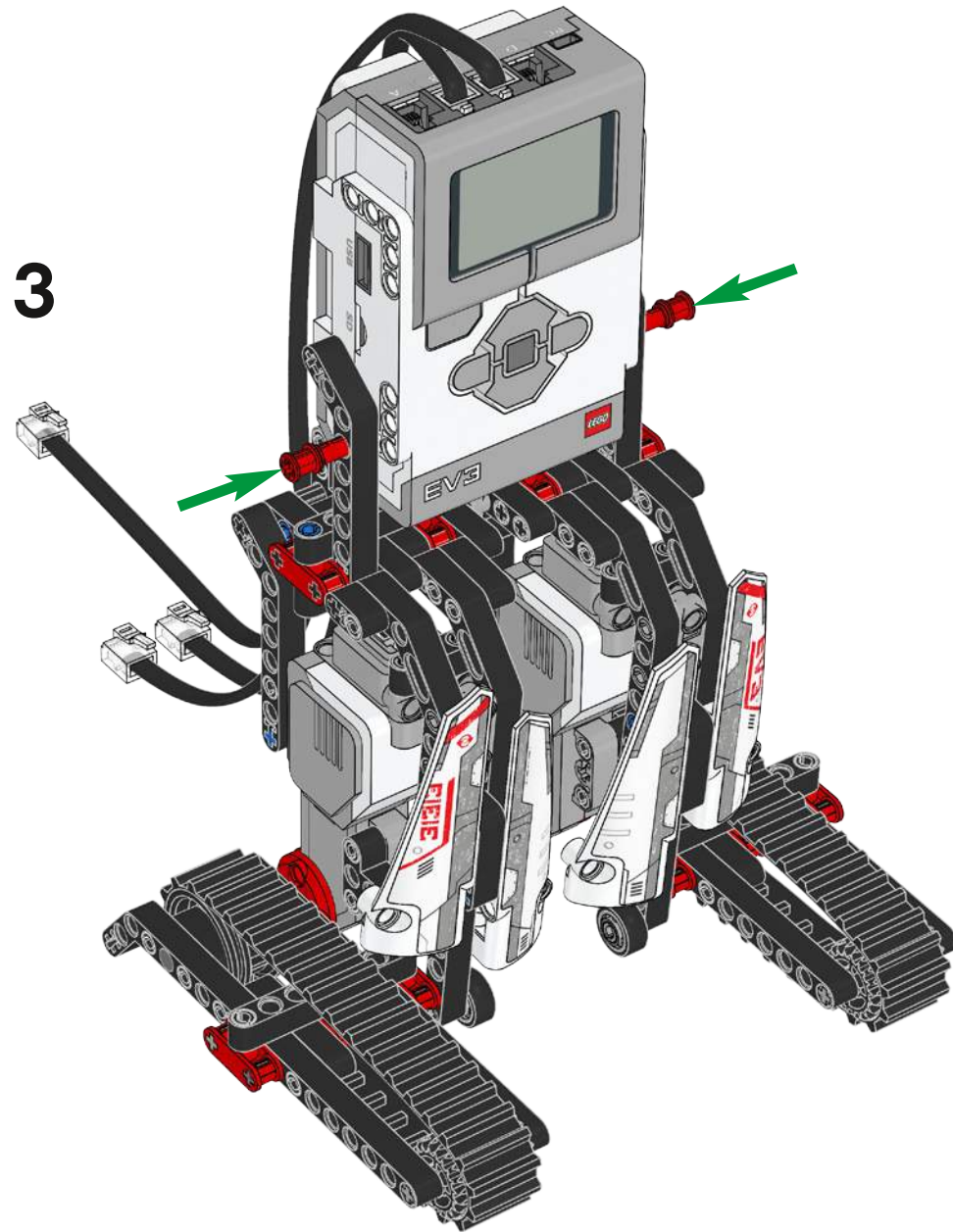


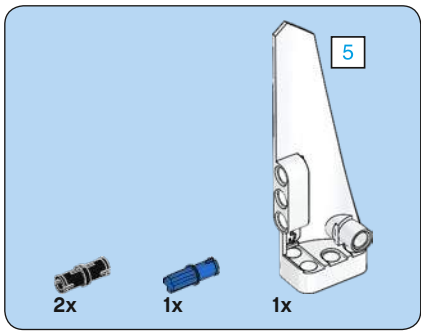
1



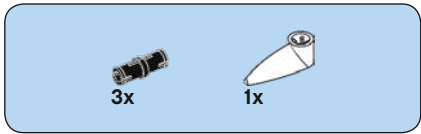
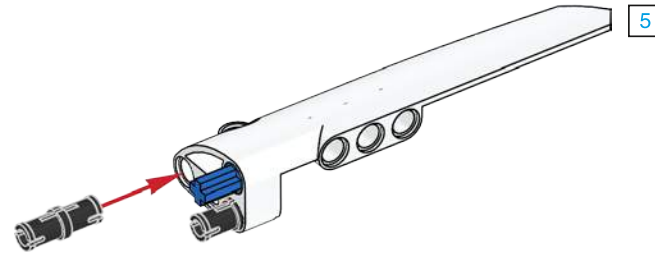








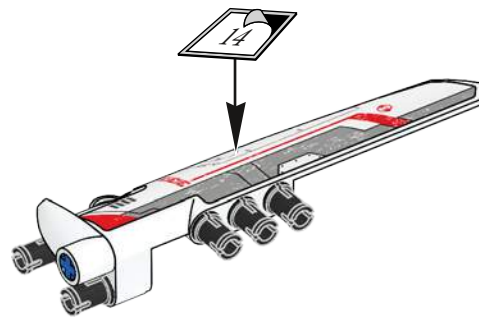
1



2

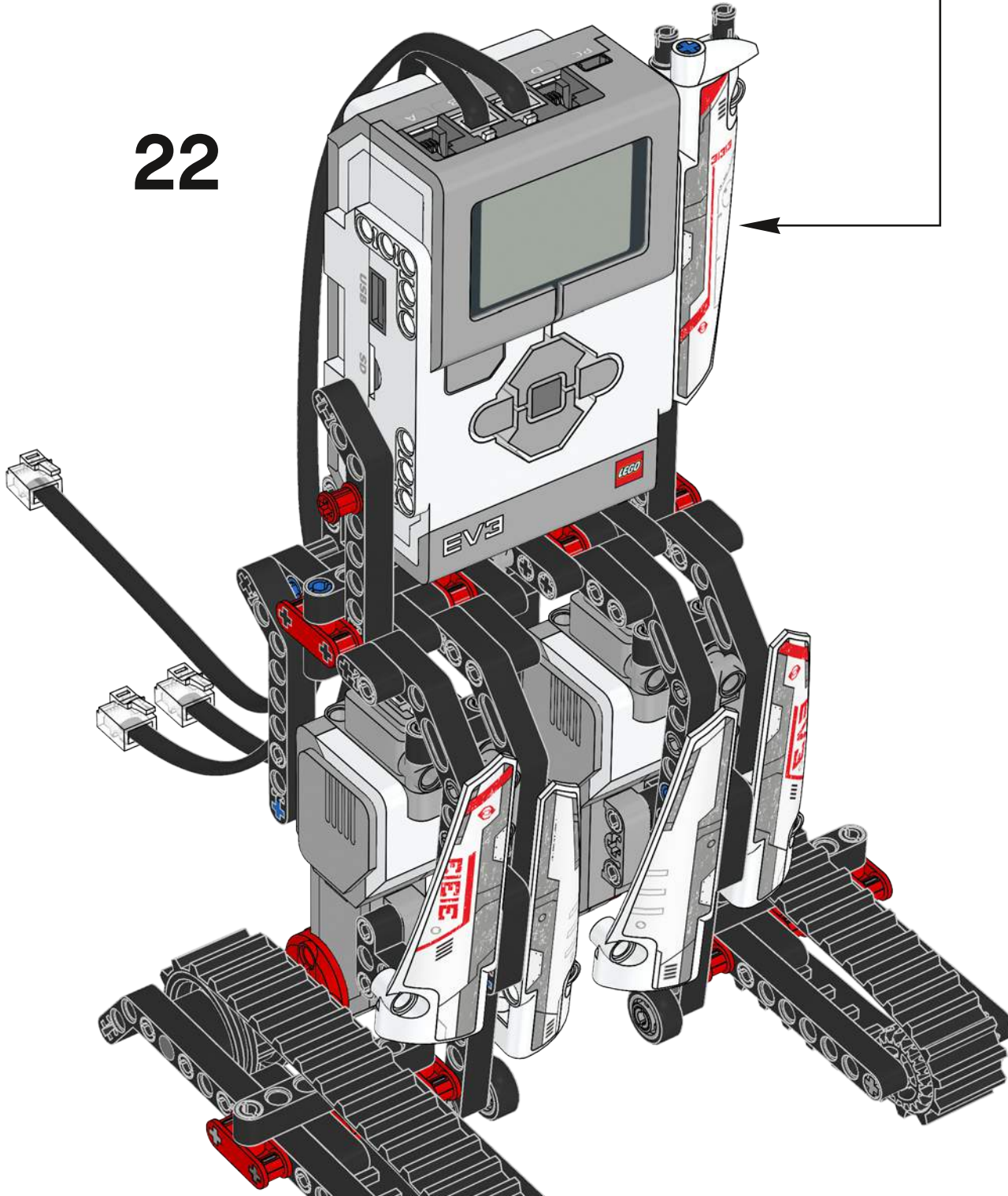


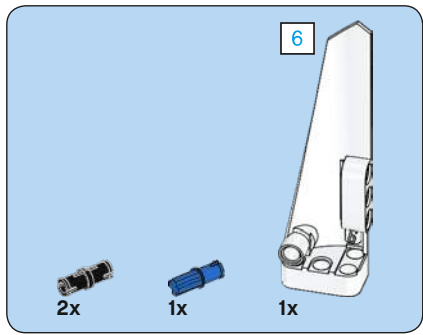
3



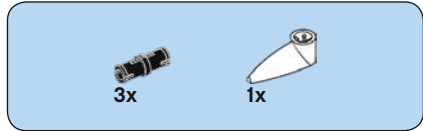
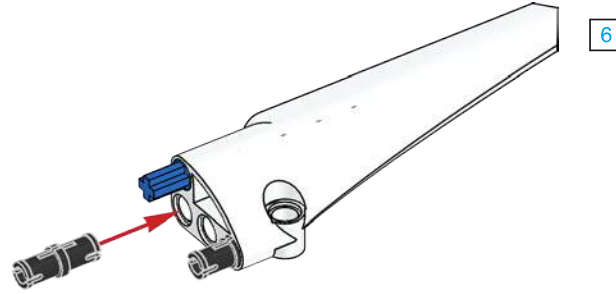


22

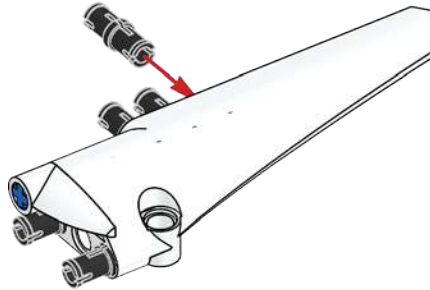




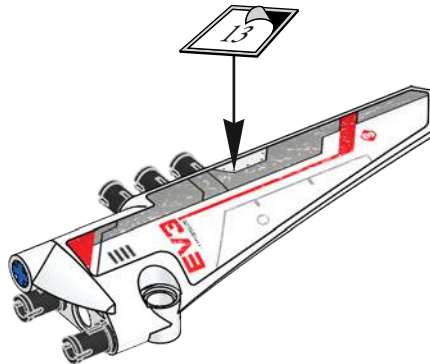
1



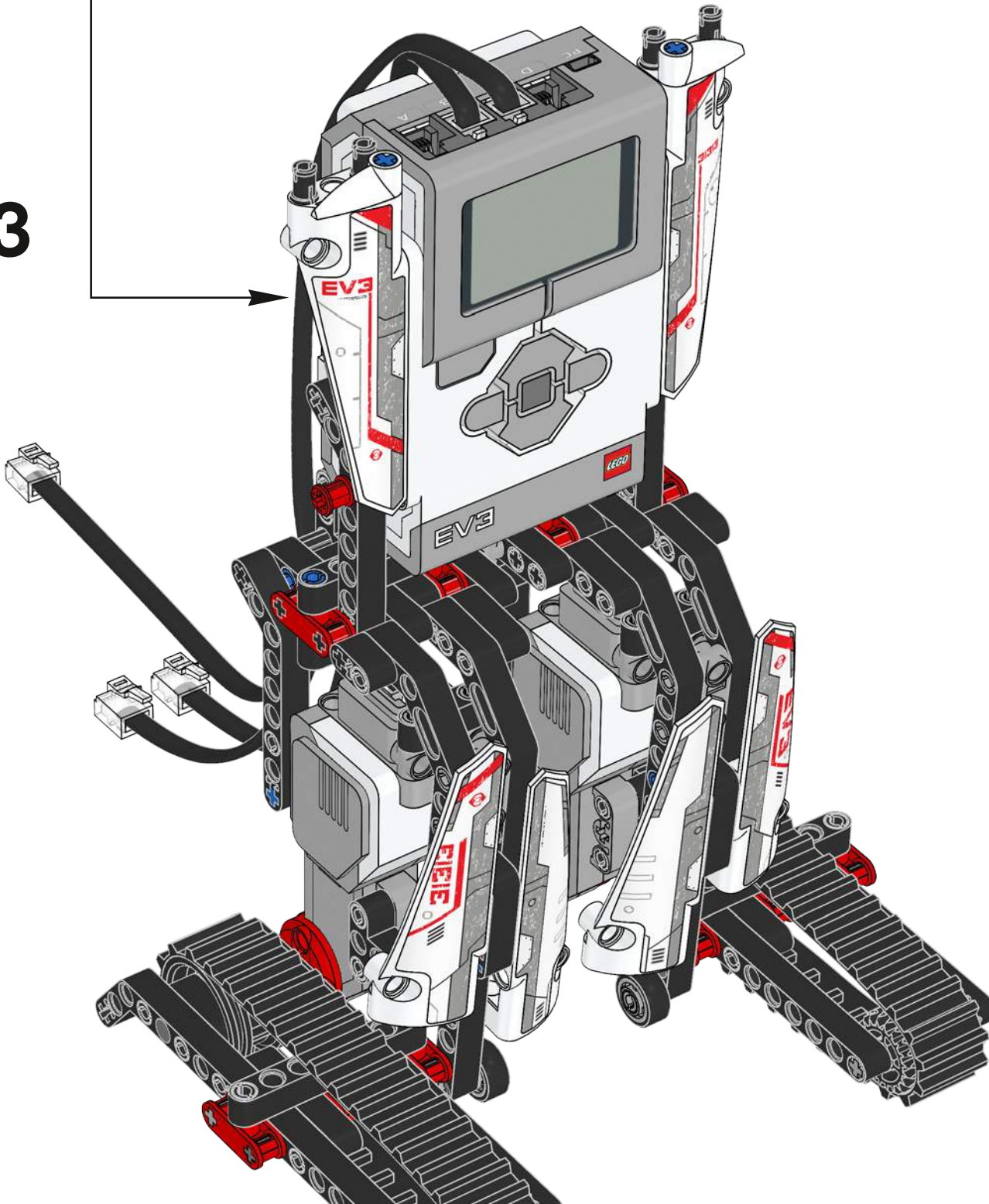
2



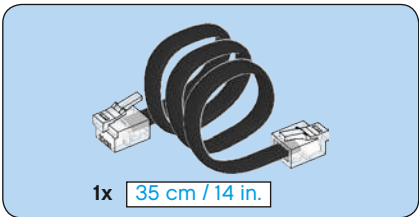
3



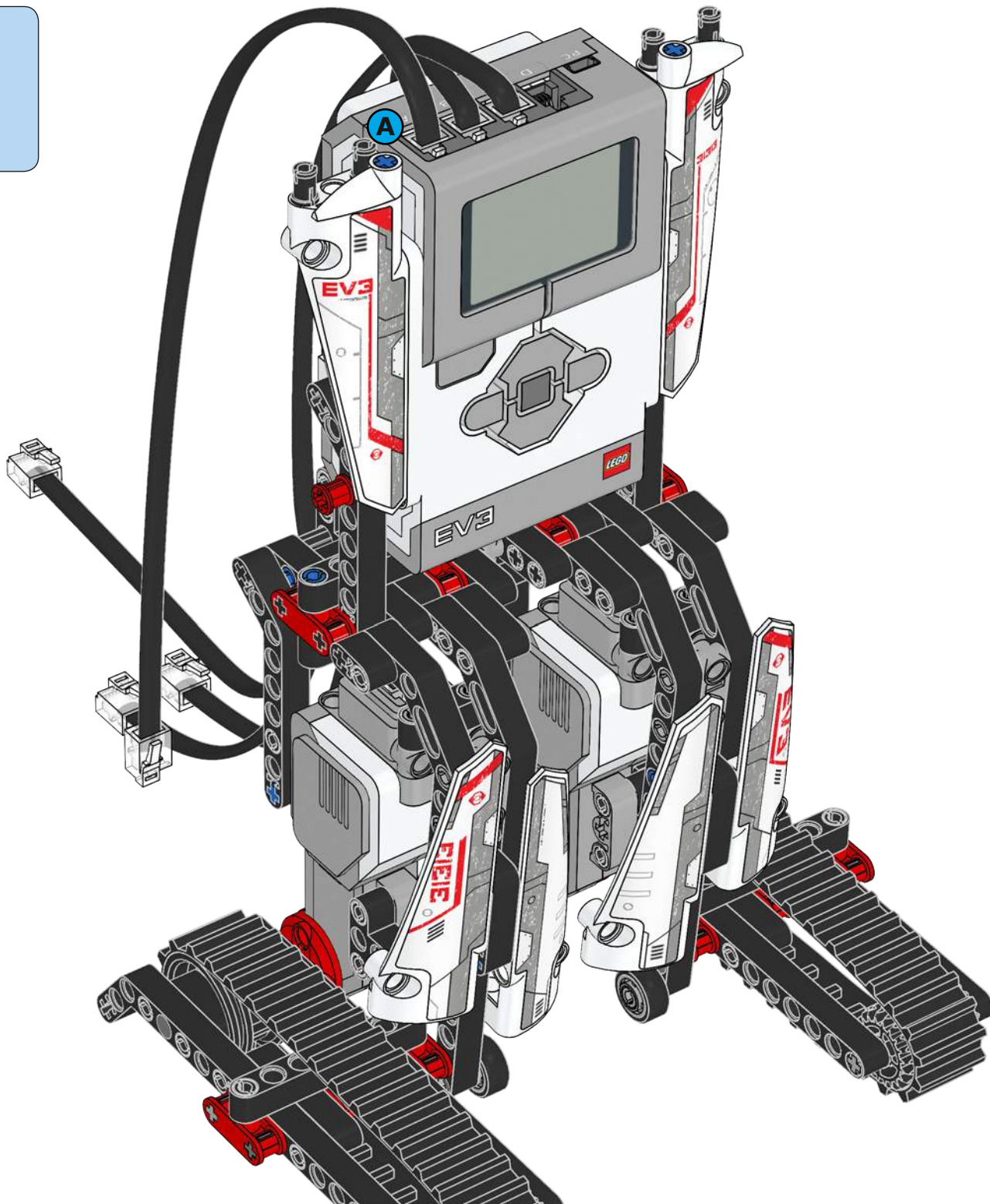
23

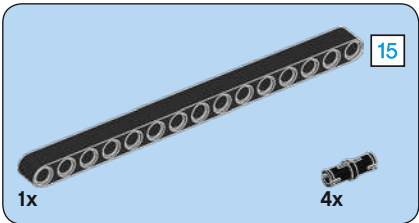
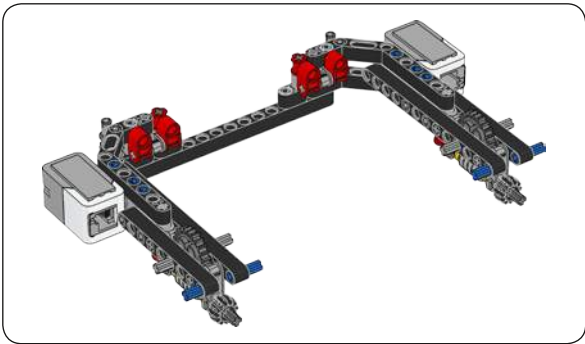




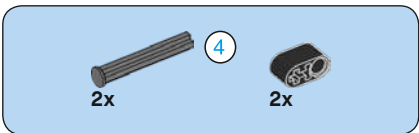
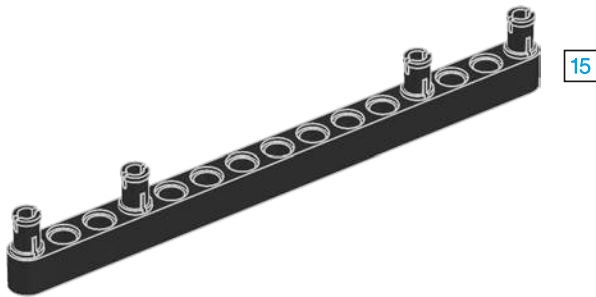


24

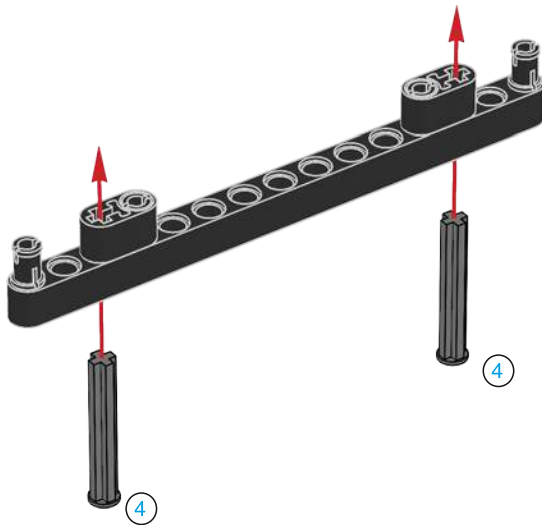


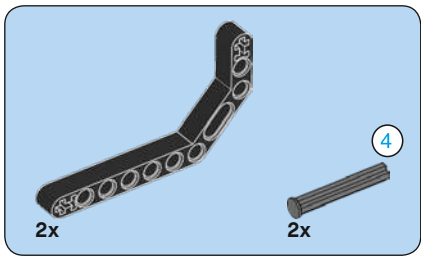


1

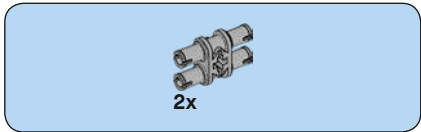
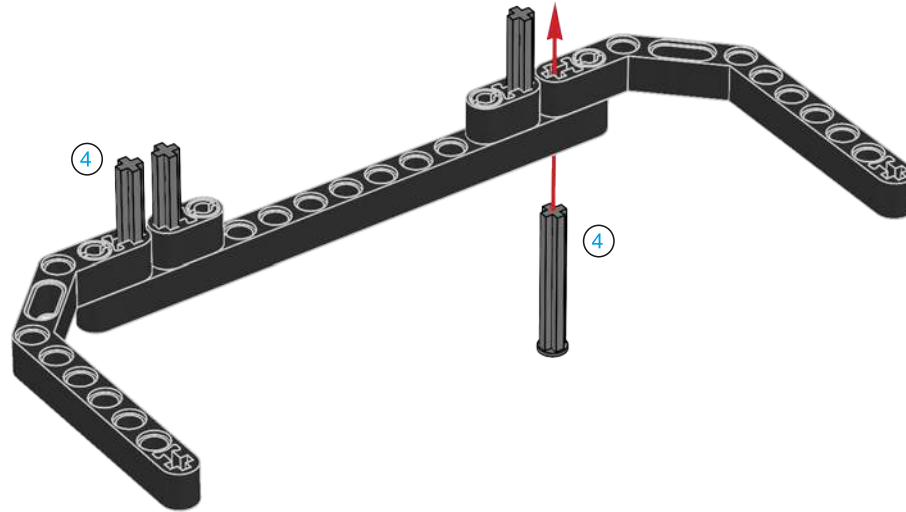


2

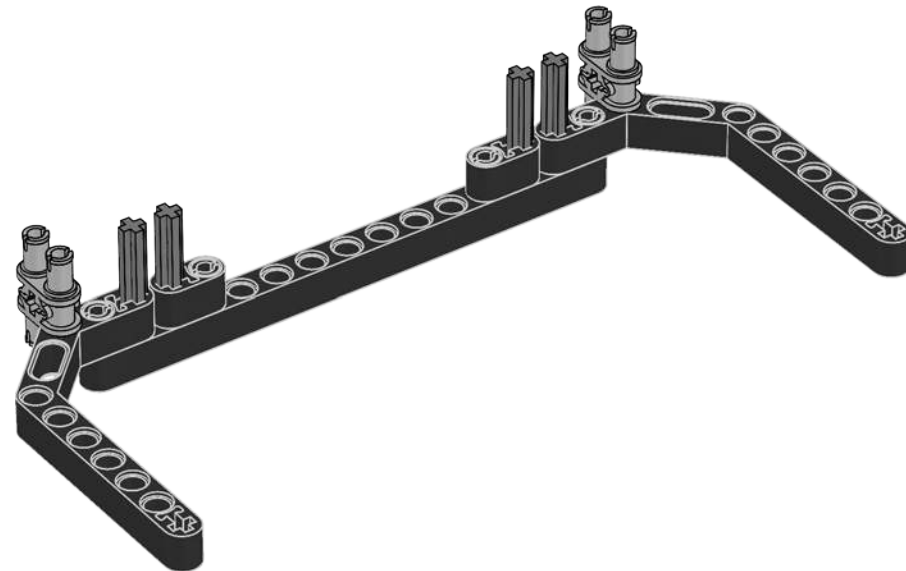


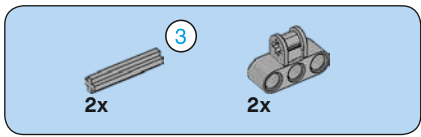


3

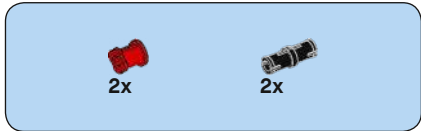
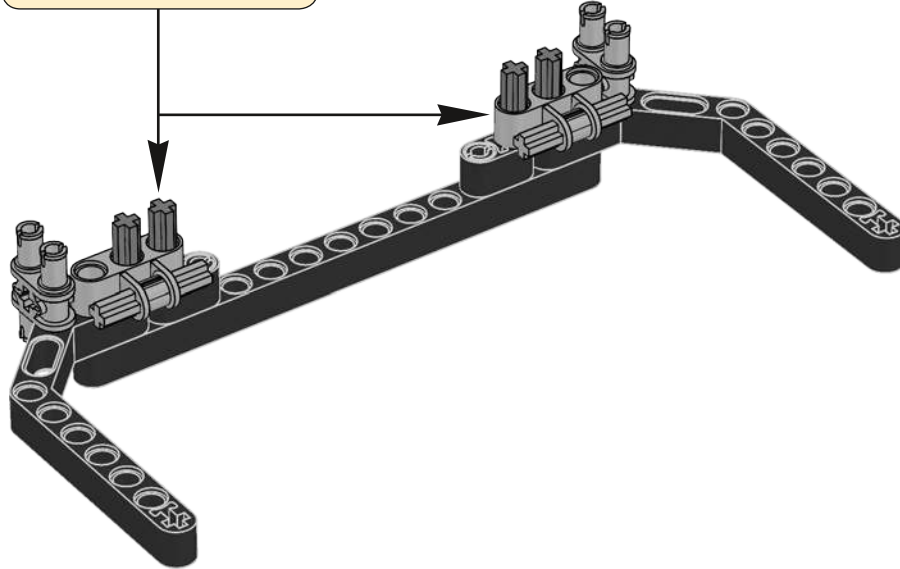
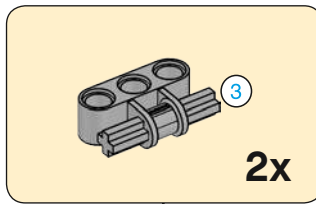


4

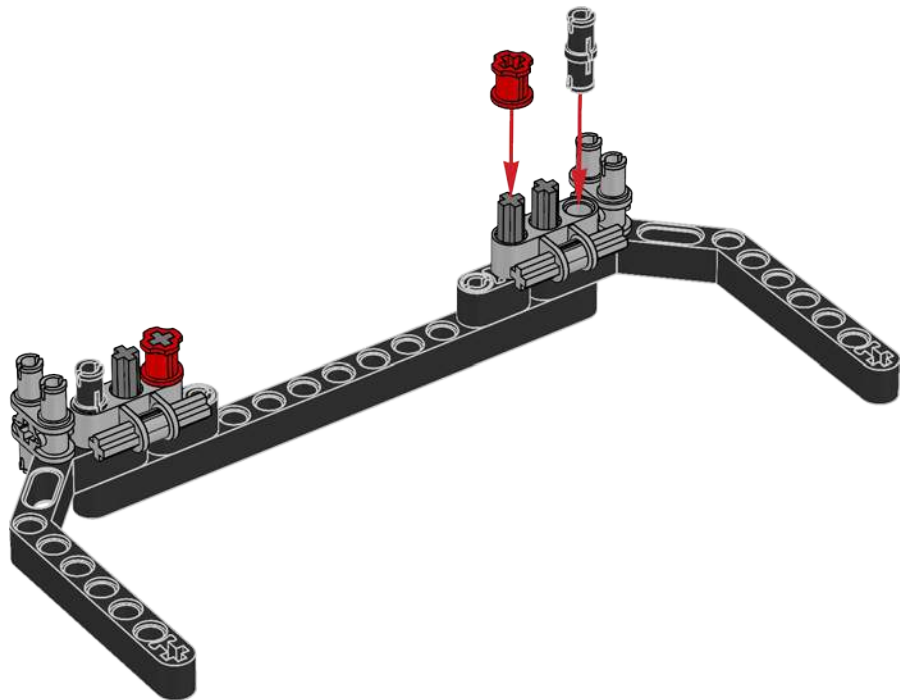




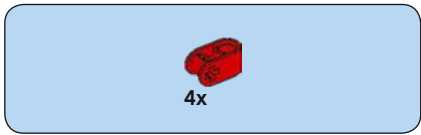
5



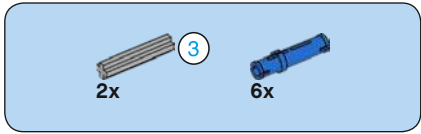
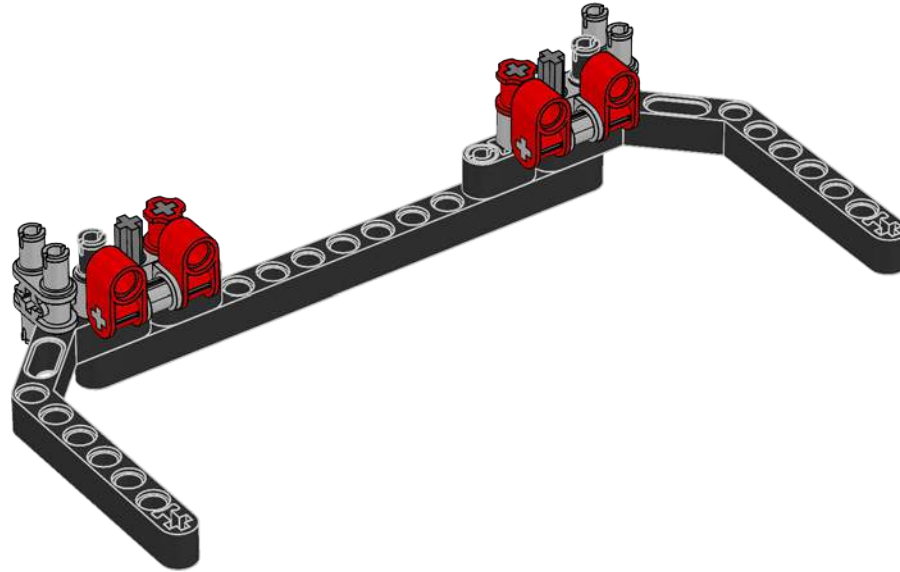
6



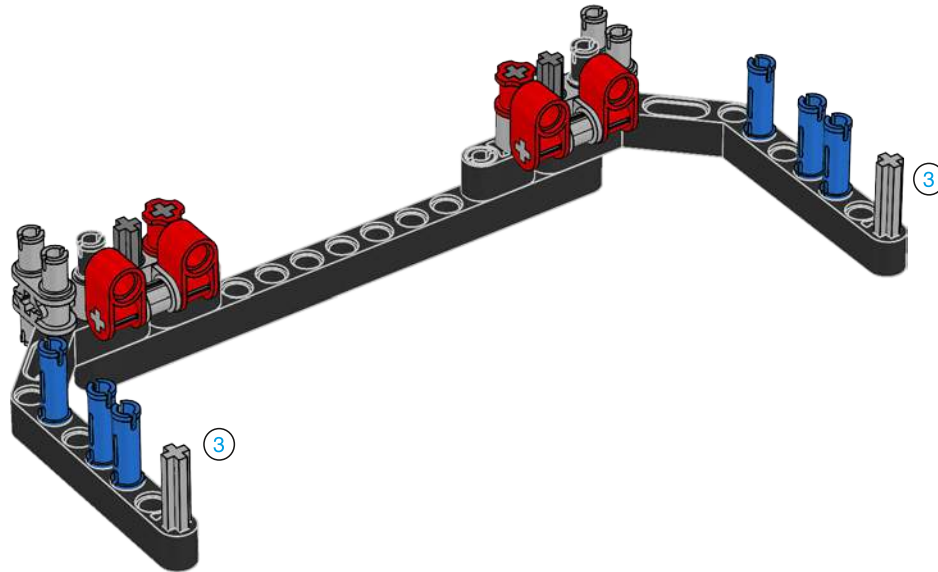


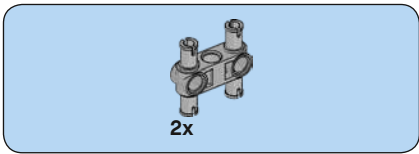


7

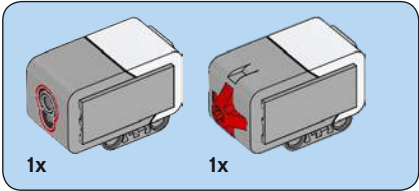
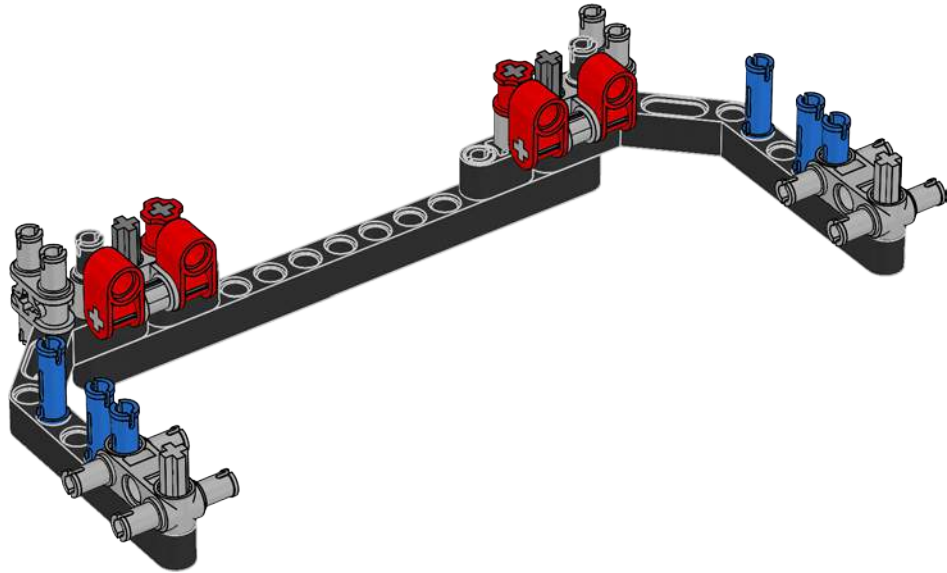


8

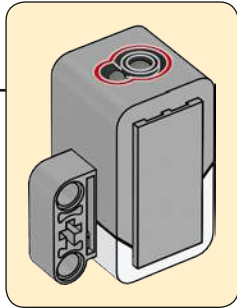
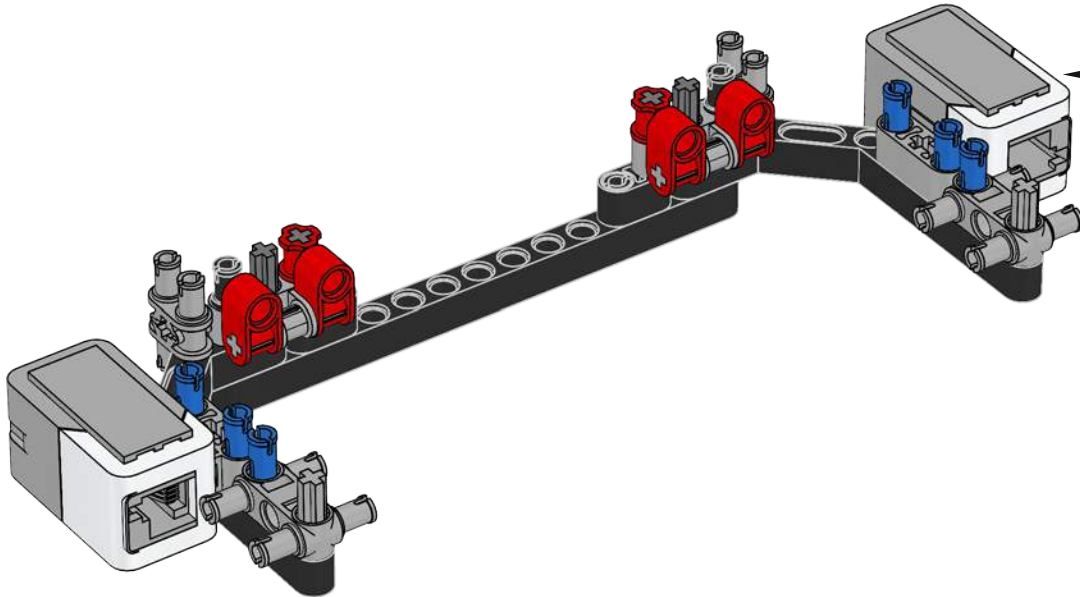


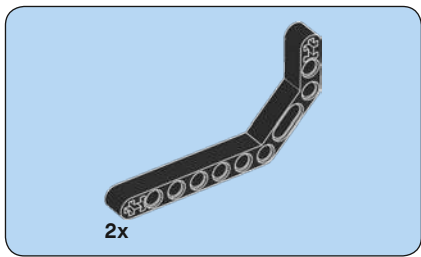


9

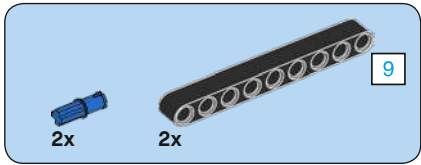
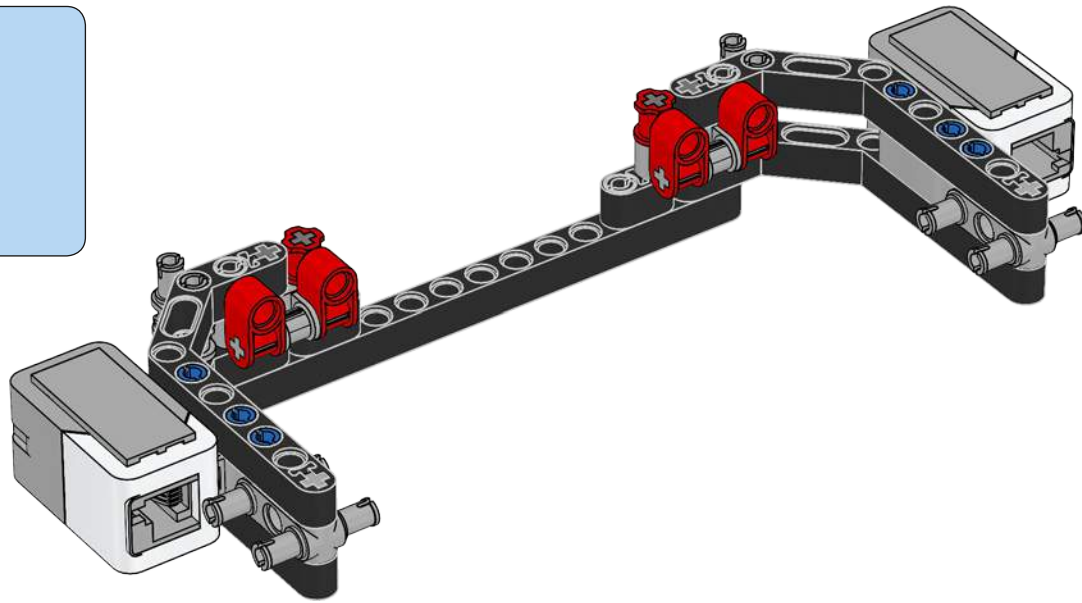


10

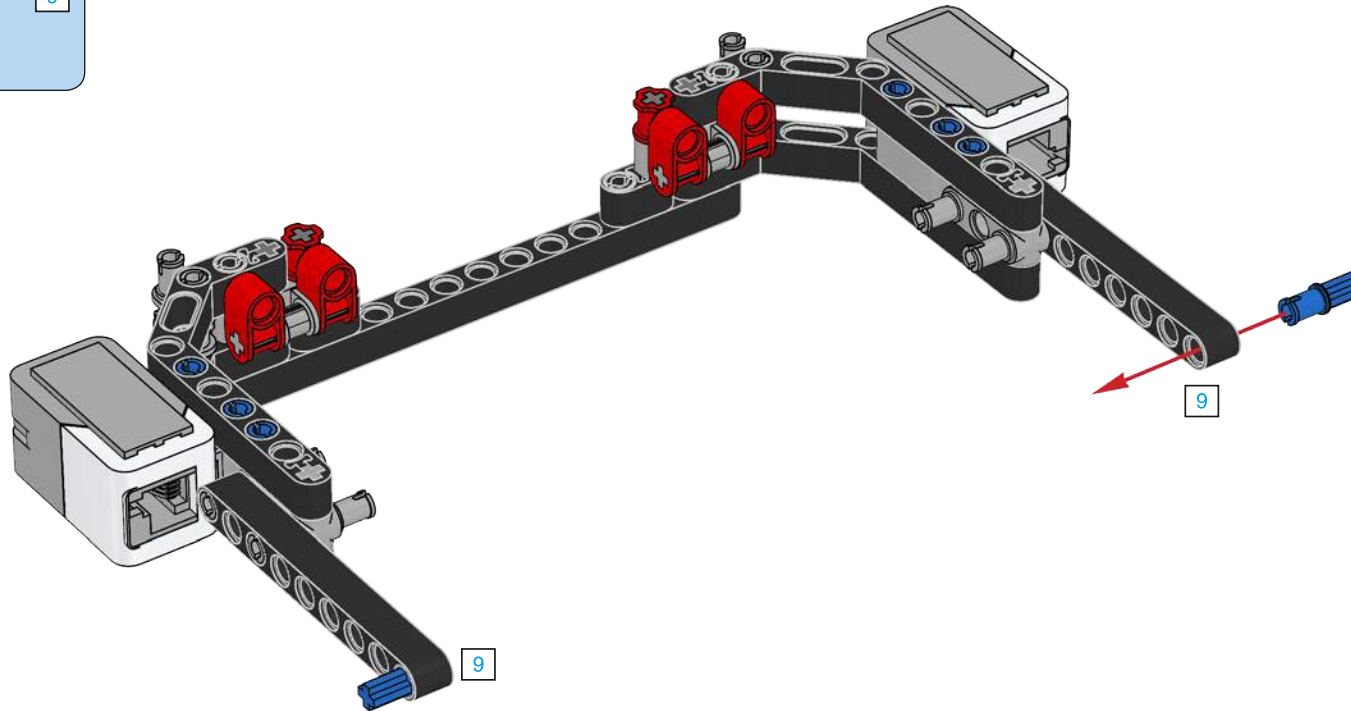


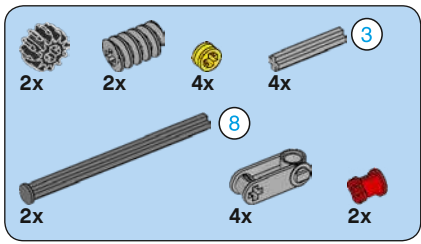


11

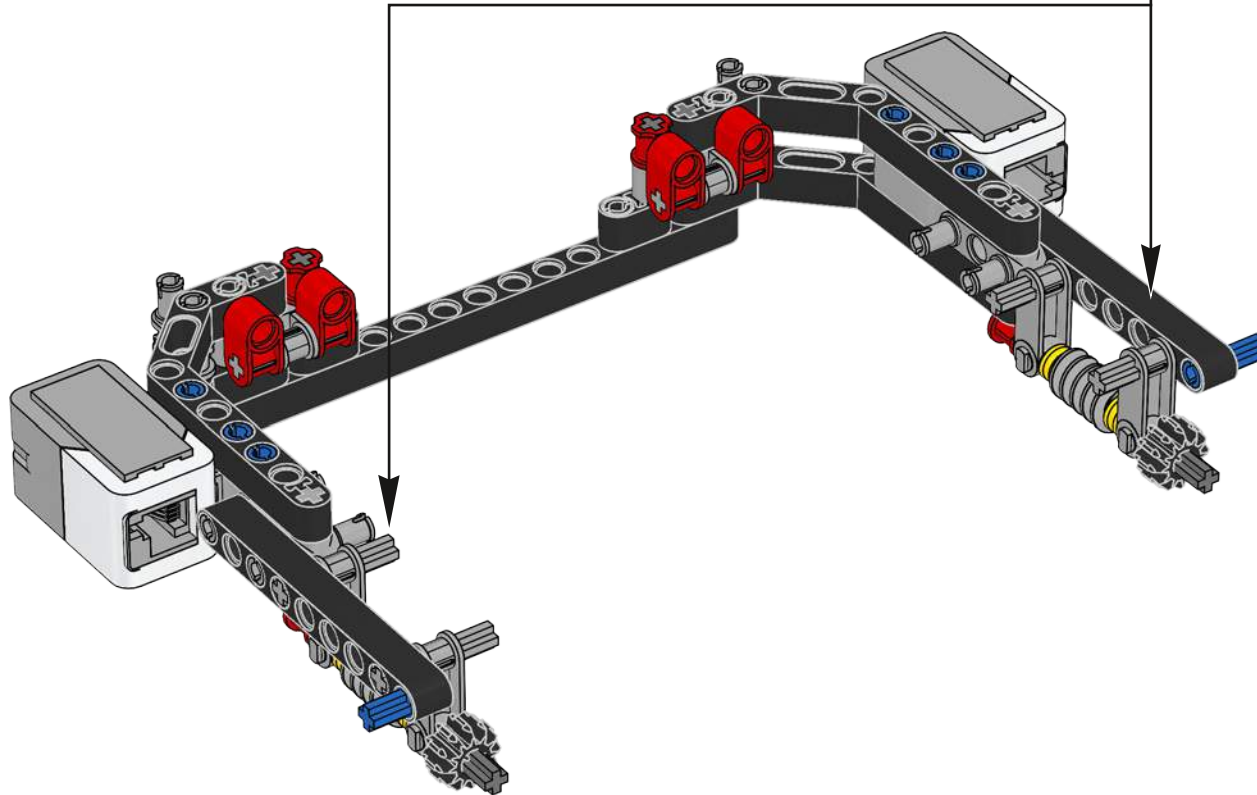


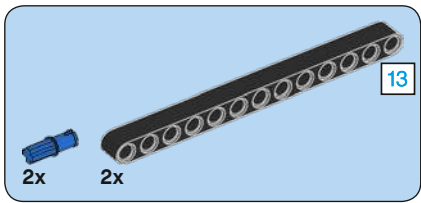
12



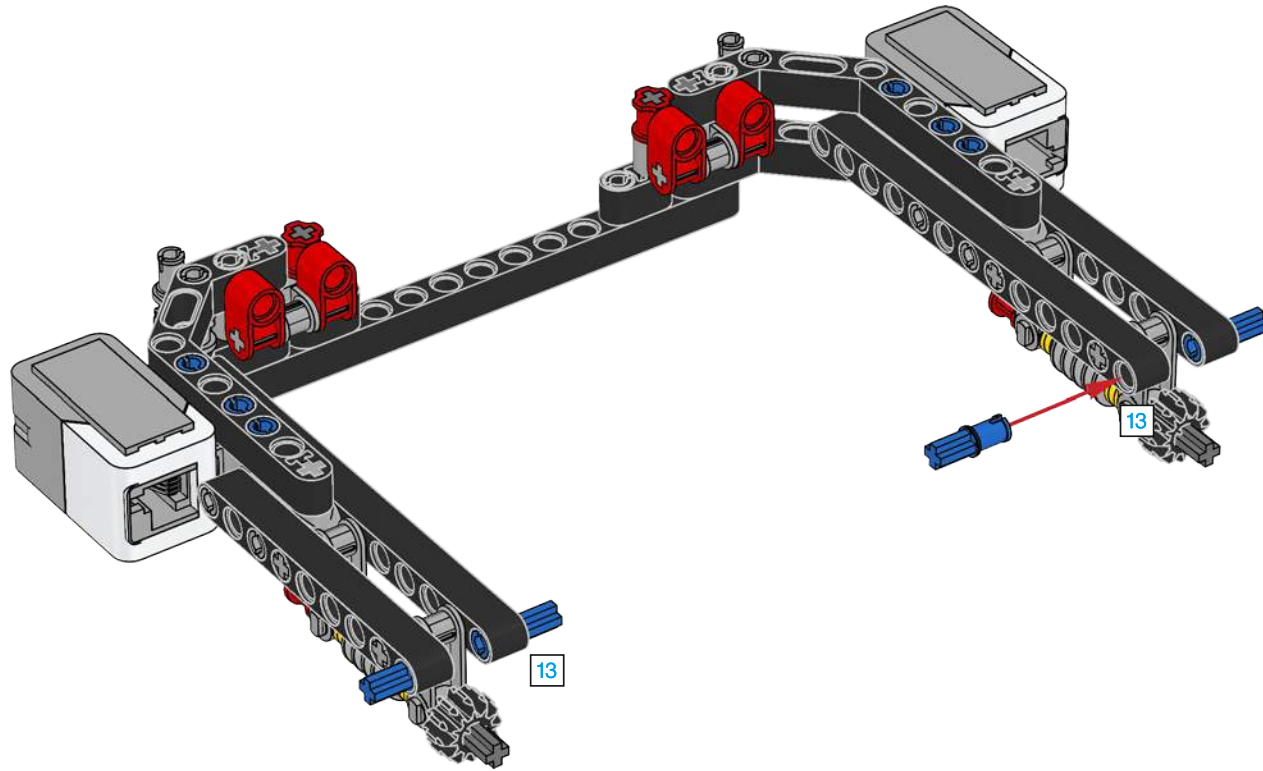


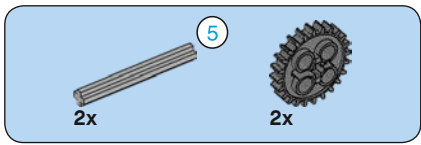
# 13



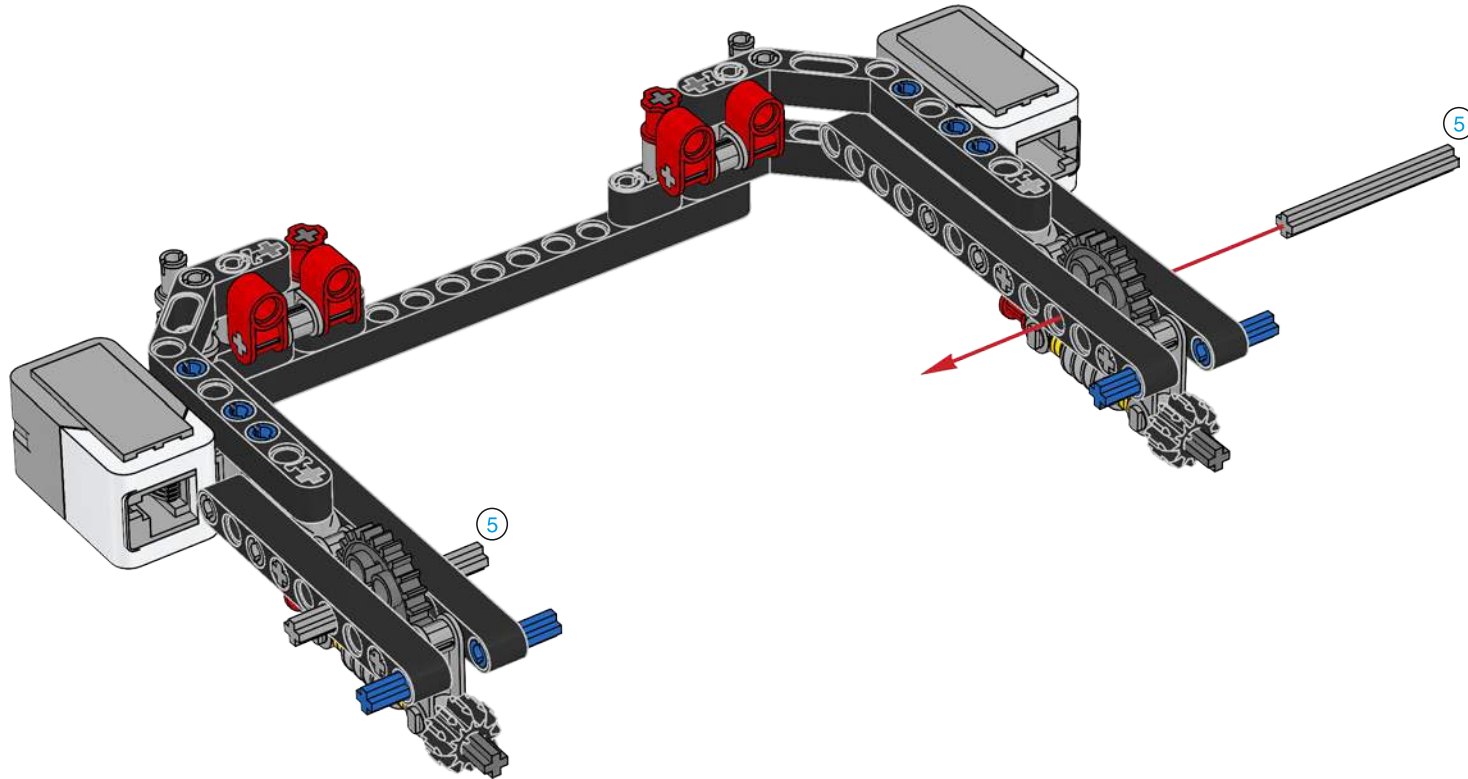


14



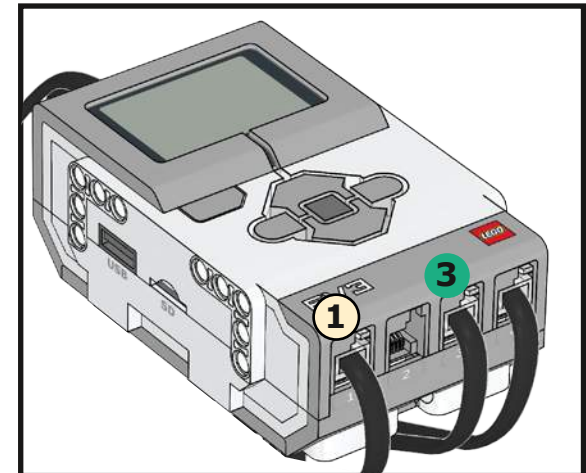
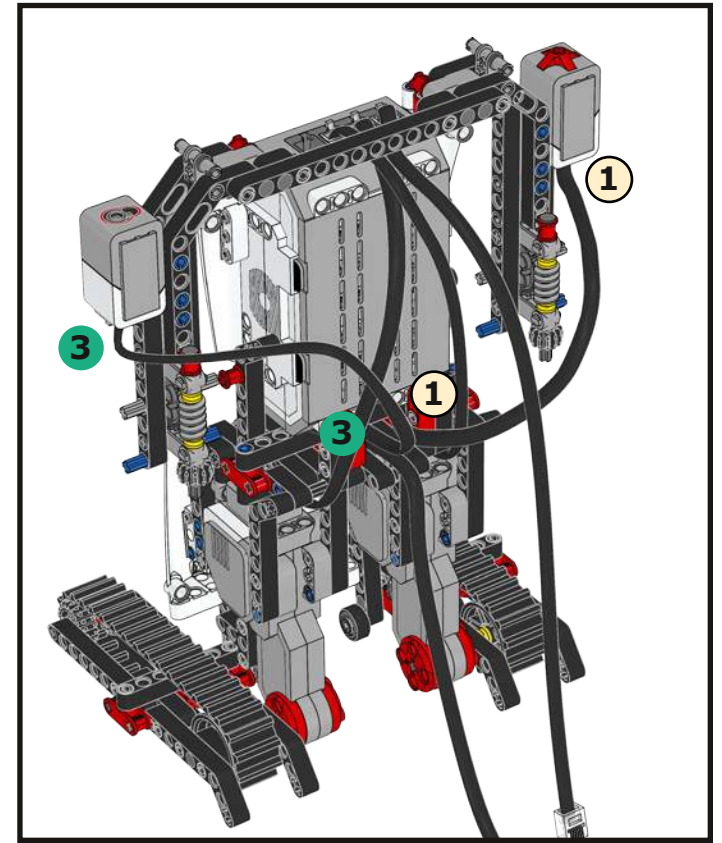
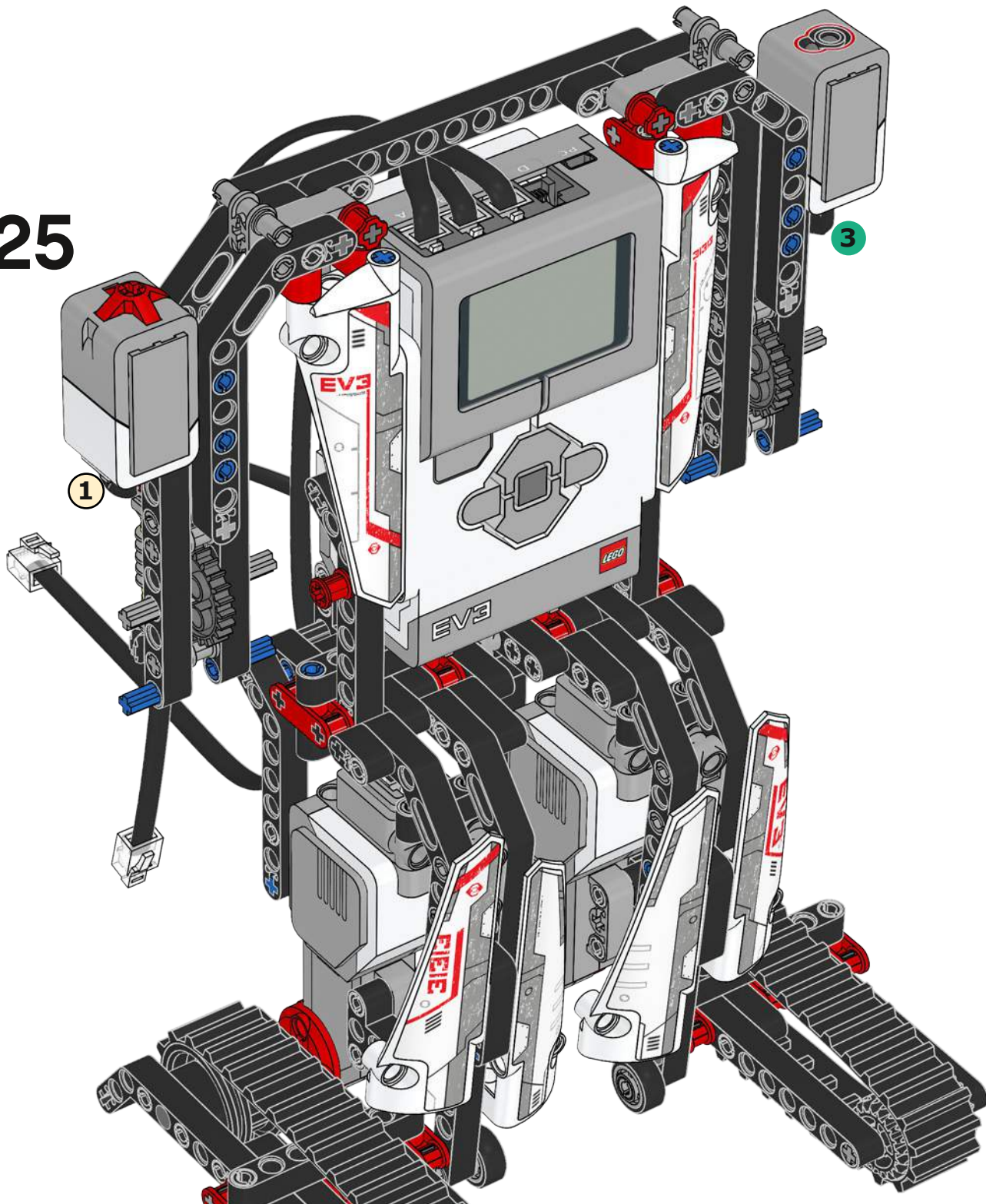


15

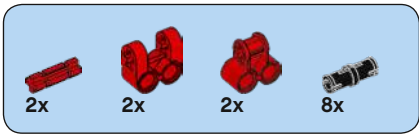




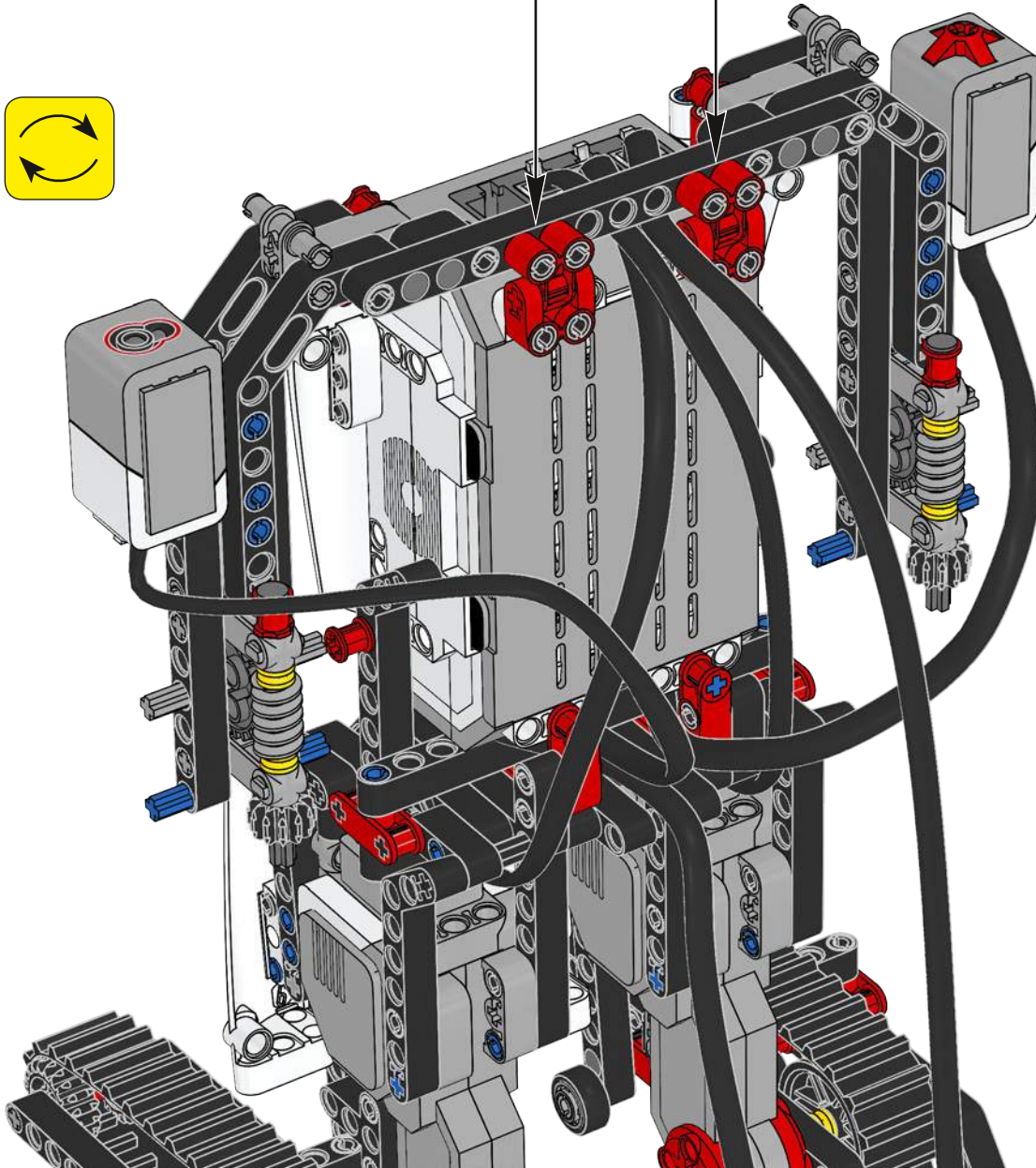
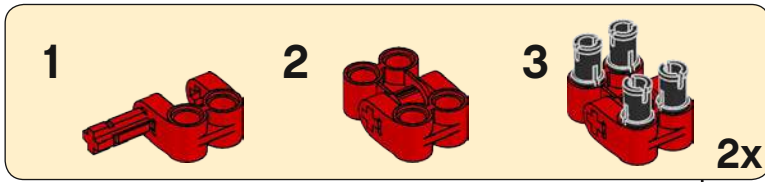
25

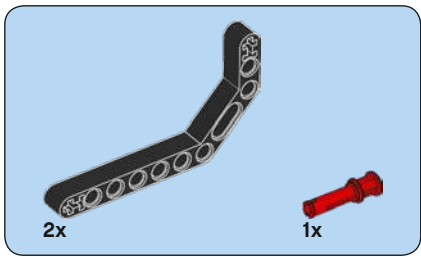




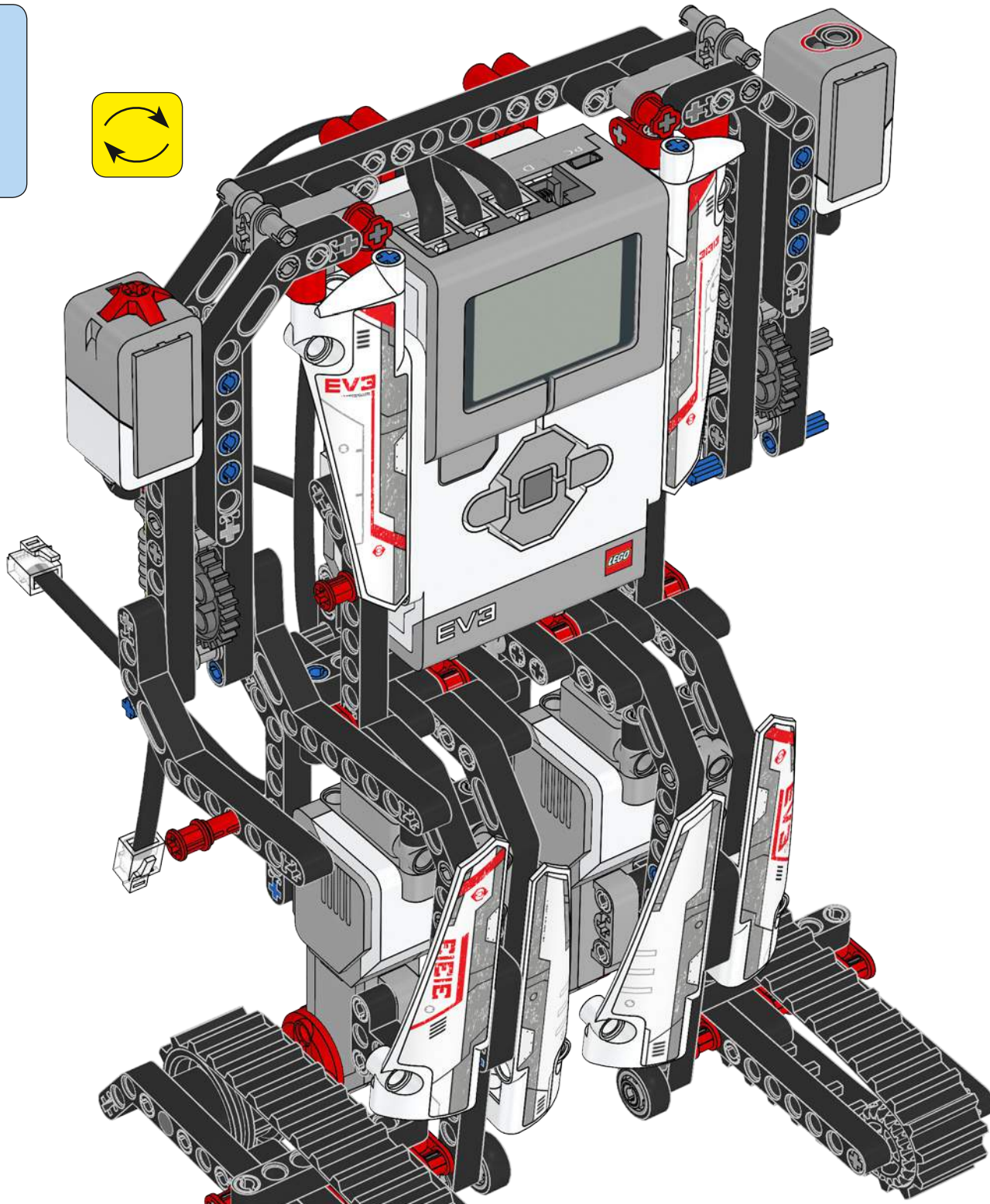


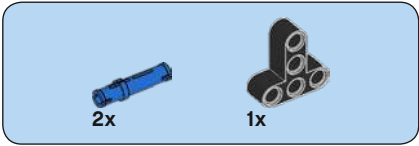
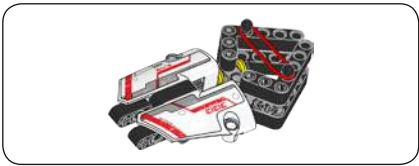
26



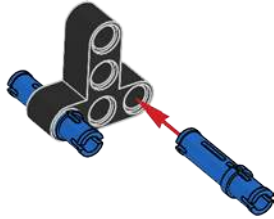


27



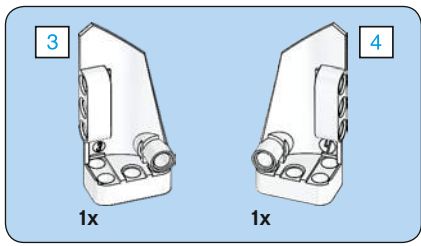


1

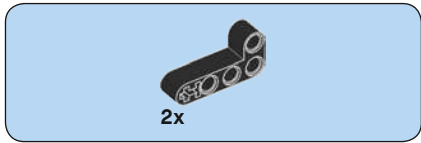
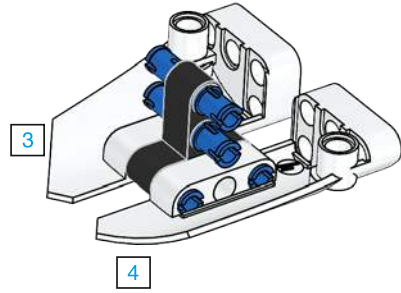


2

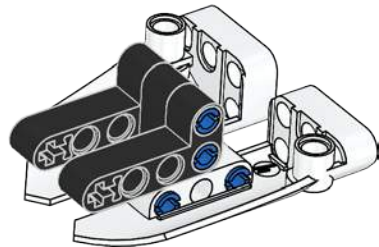




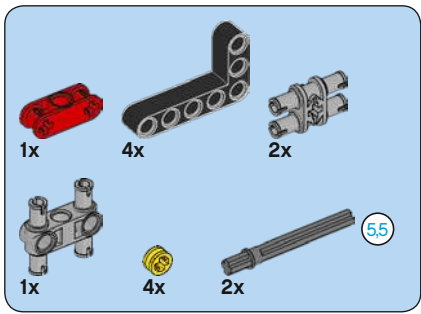
3



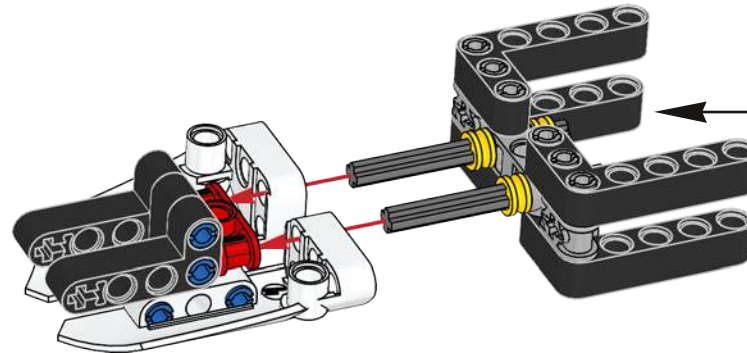
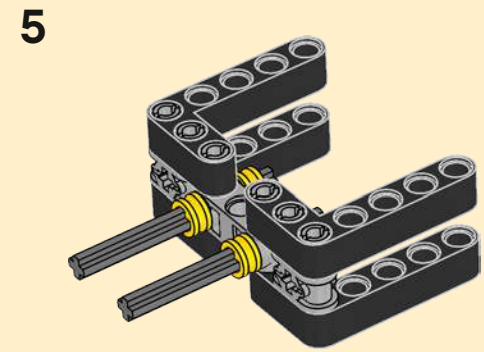
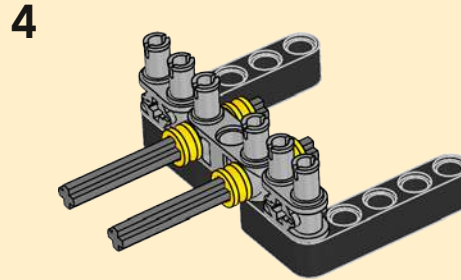
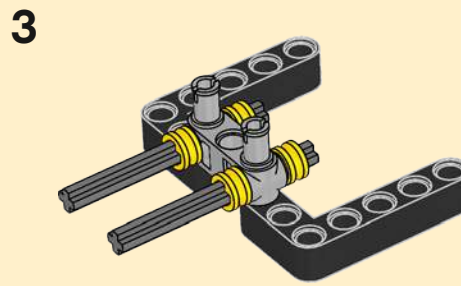
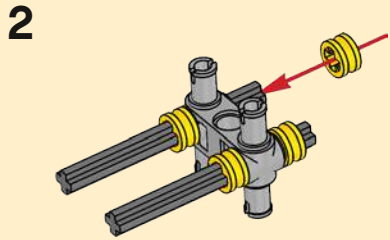
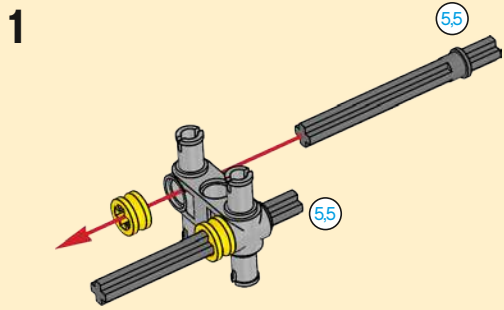
4







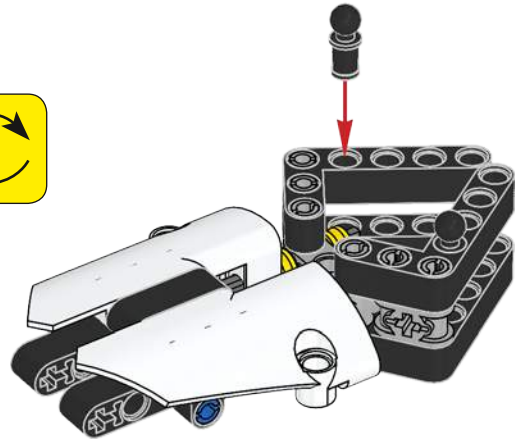
5





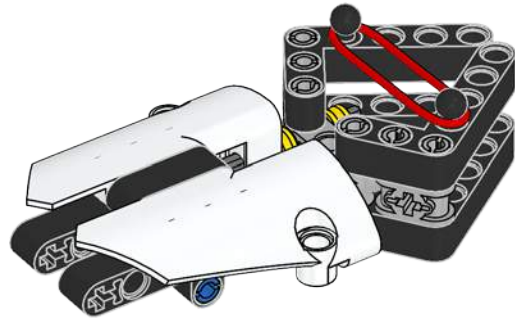
2x

6

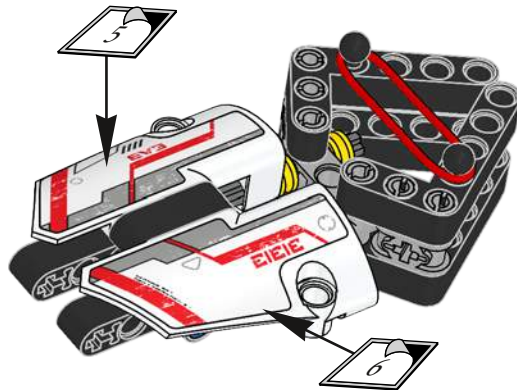


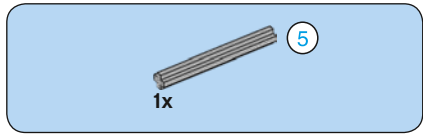
1x

7

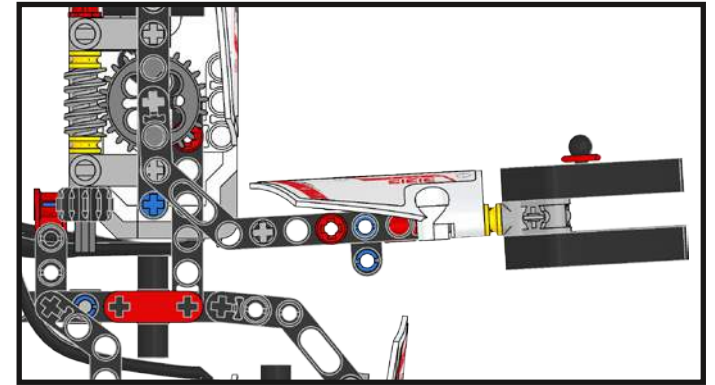
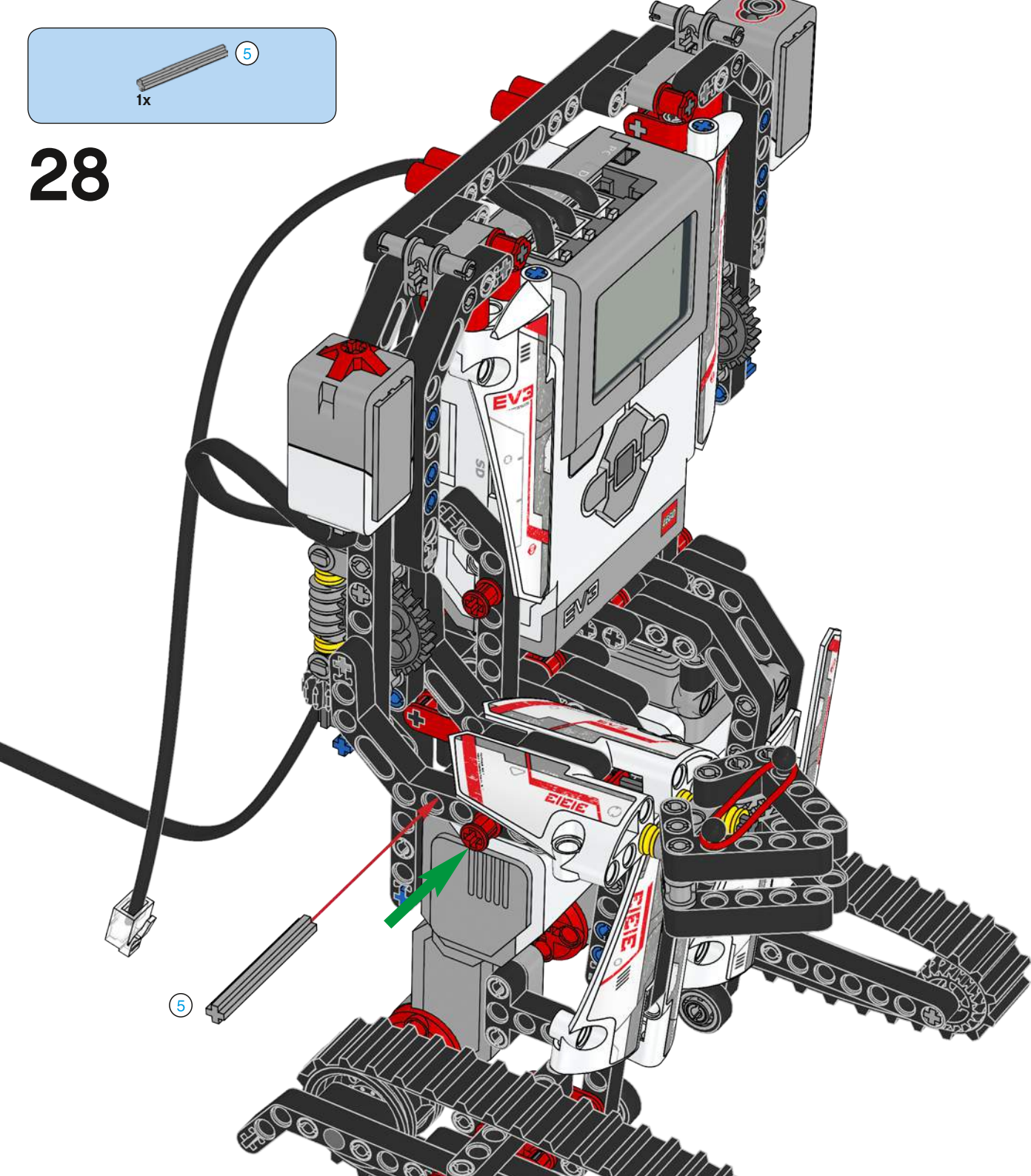


8

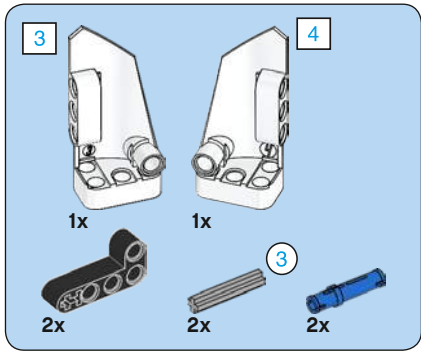




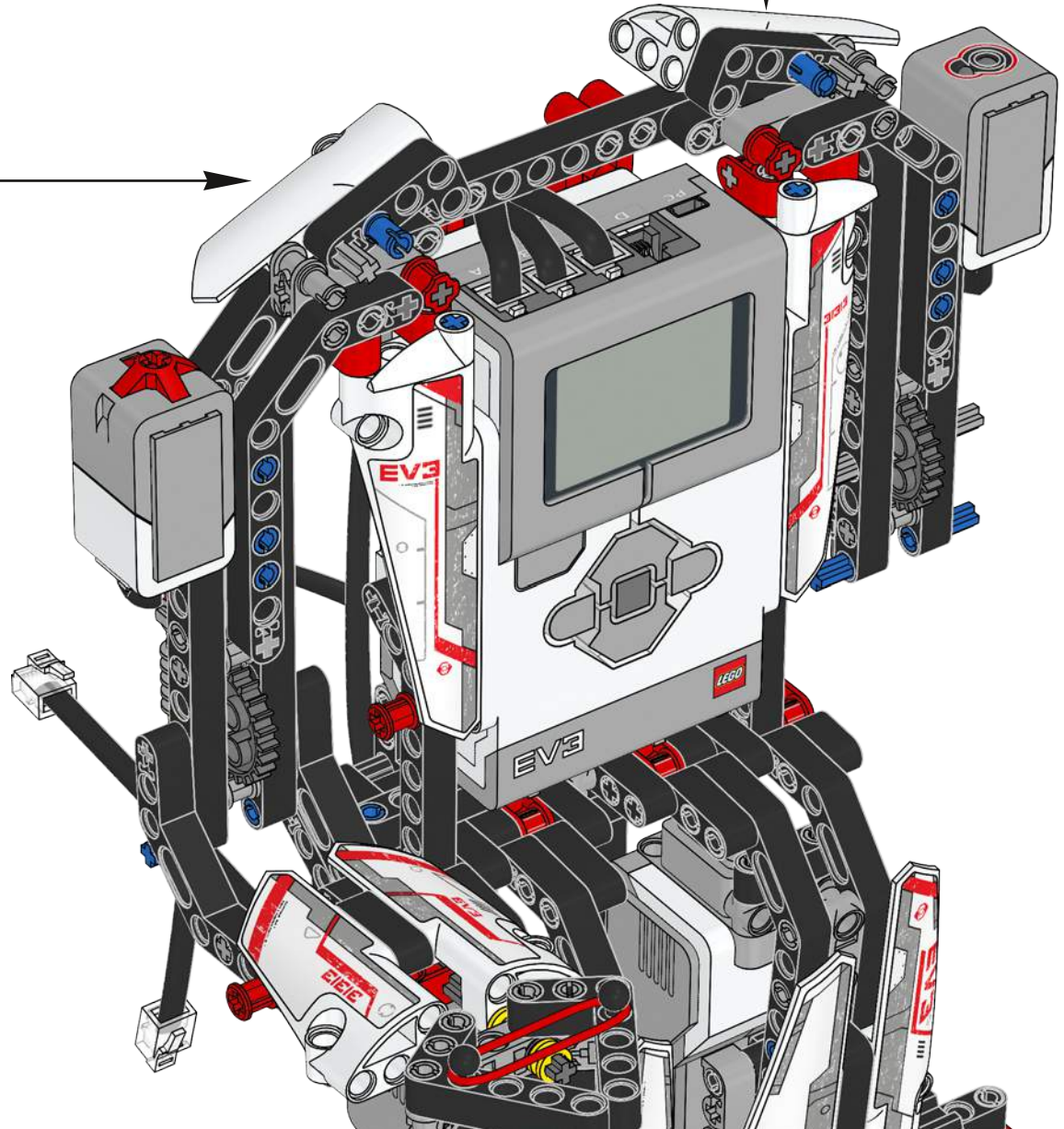
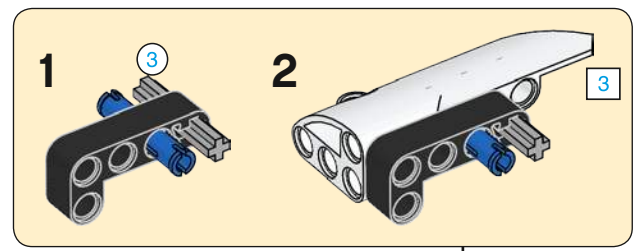
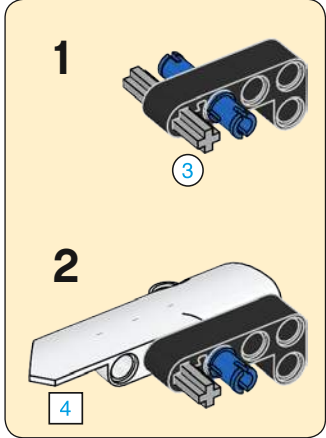
28

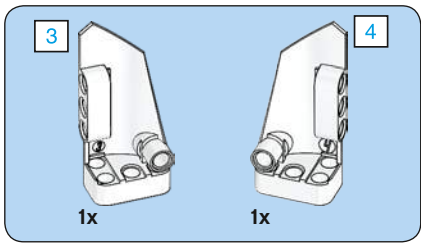




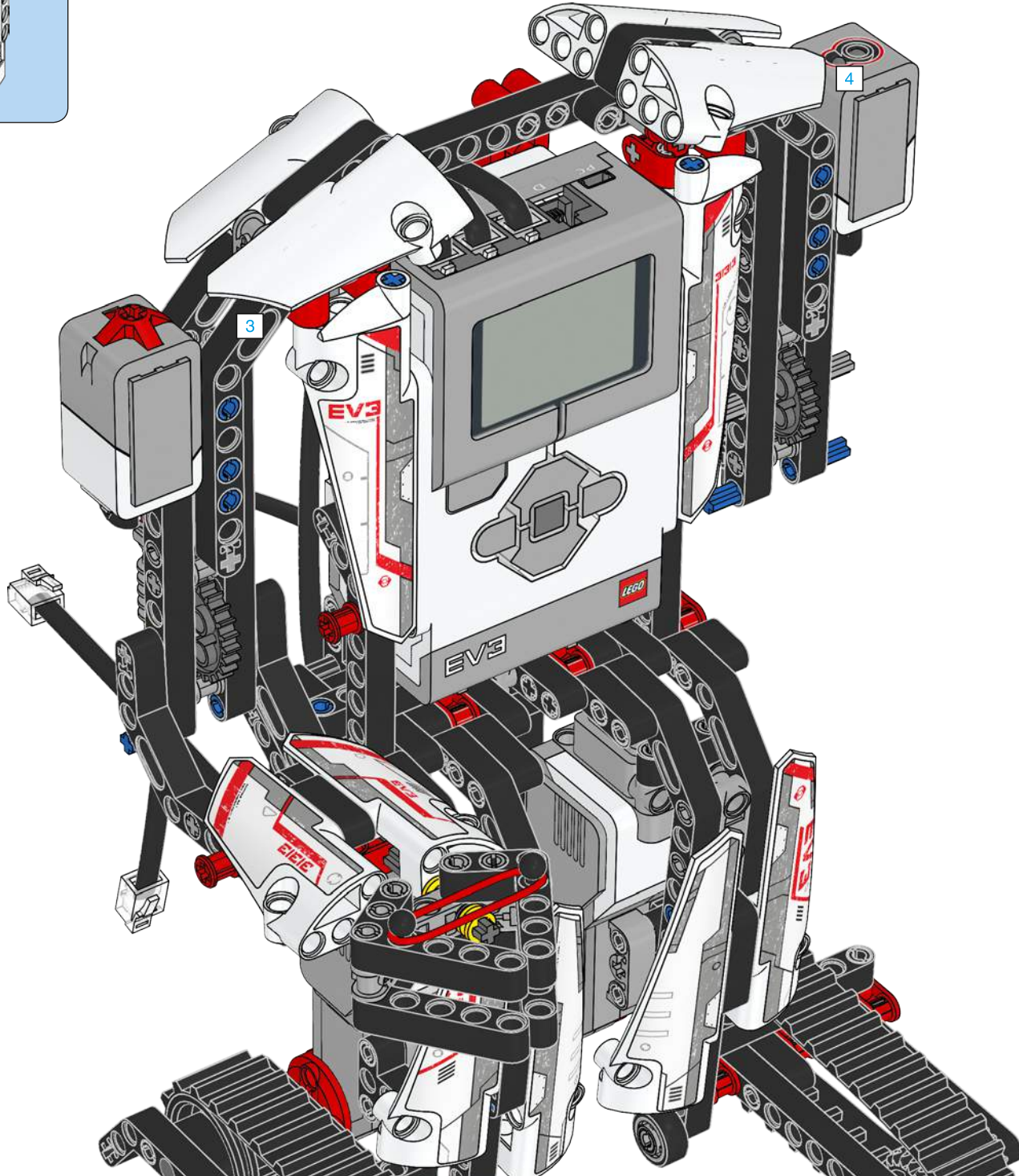


29



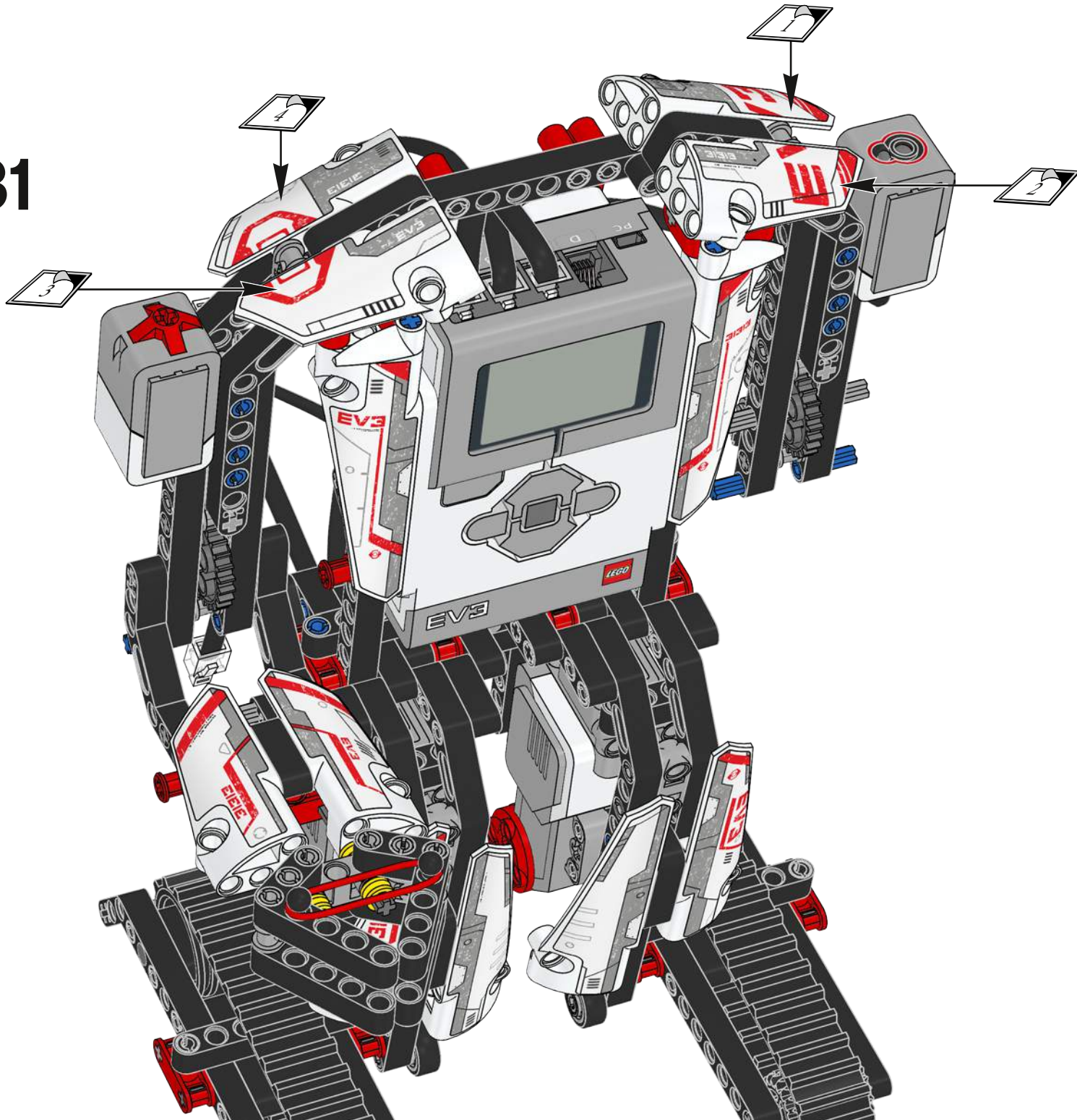


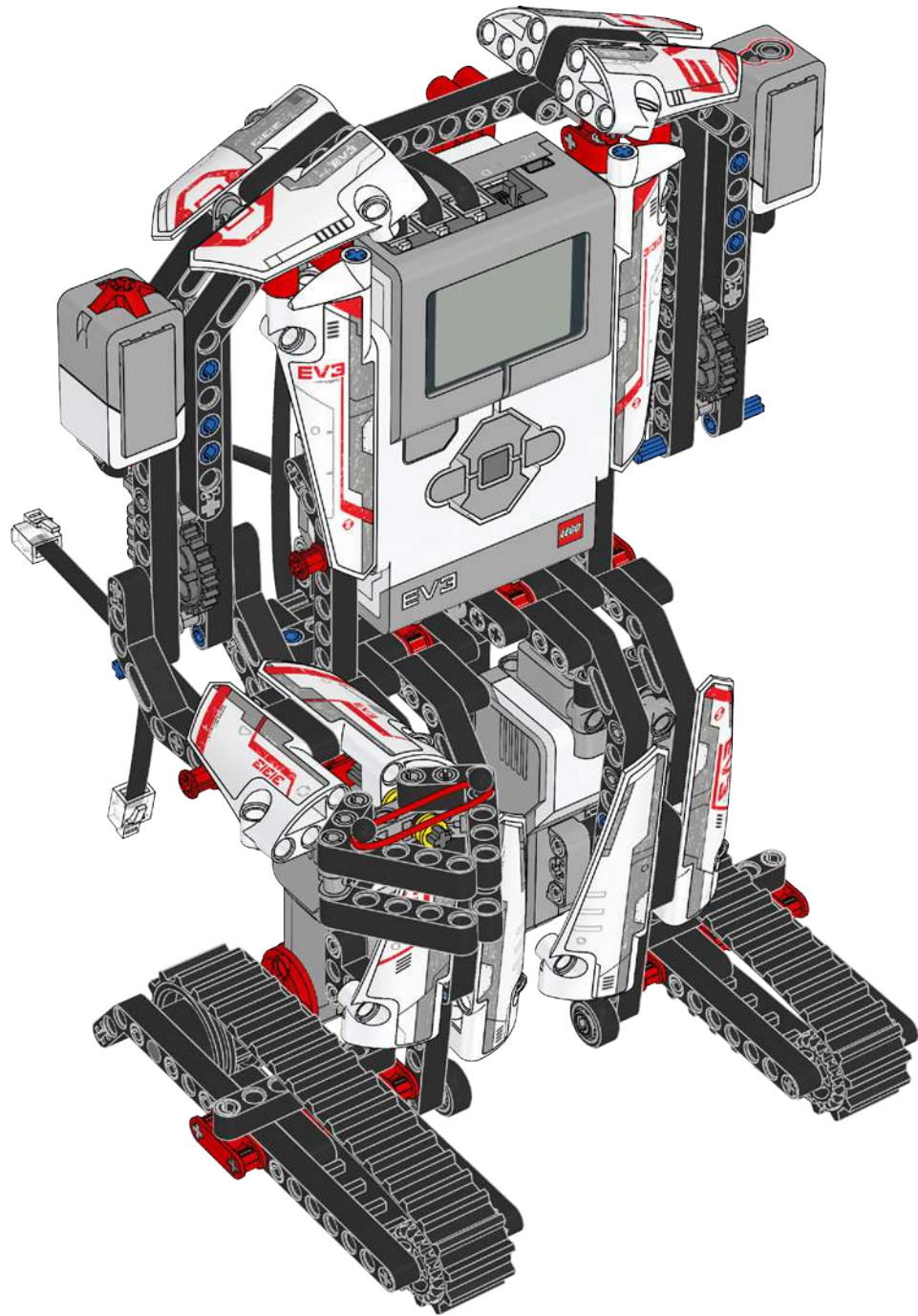
30





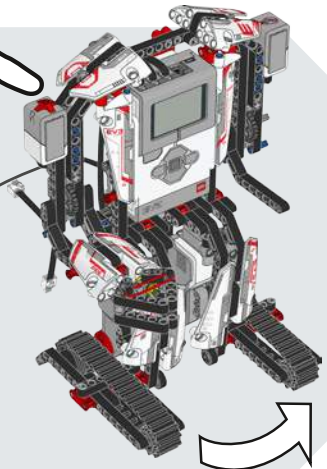
31







**LEGO® MINDSTORMS®**  
EV3 Programmer  
The LEGO Group



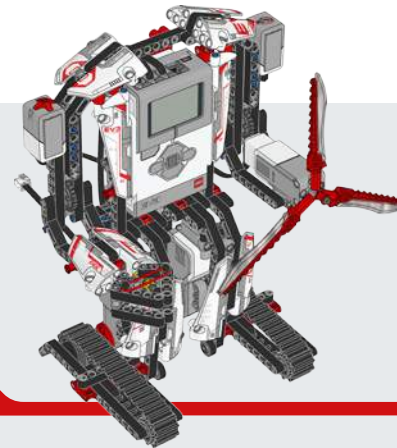
# MISSION 02

 [LEGO.com/mindstorms/software](http://LEGO.com/mindstorms/software)

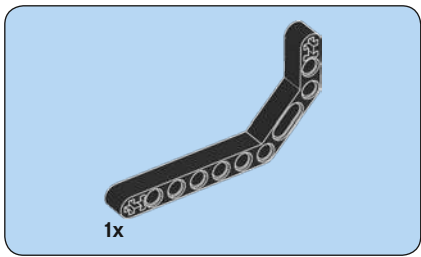




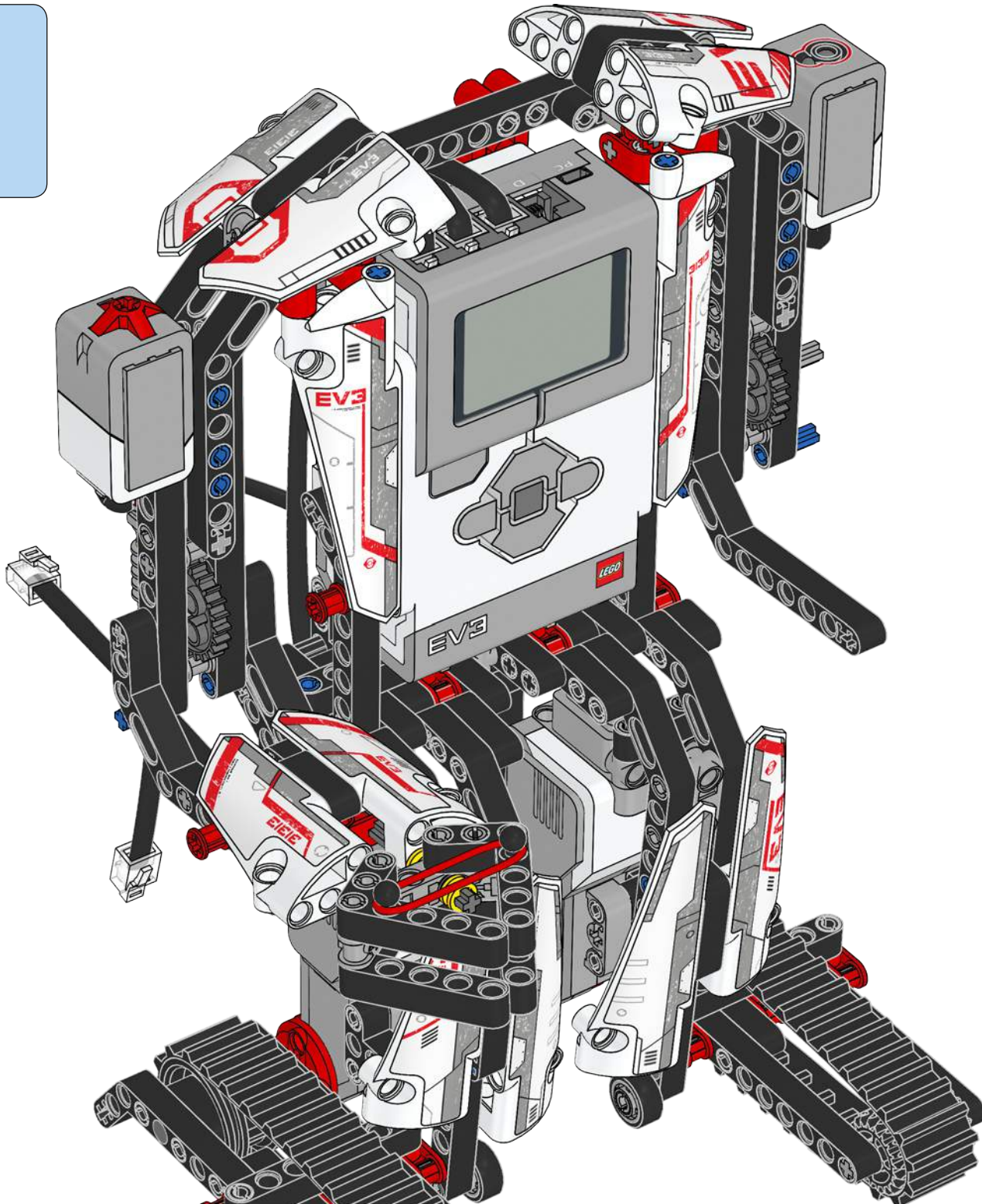
# MISSION 03

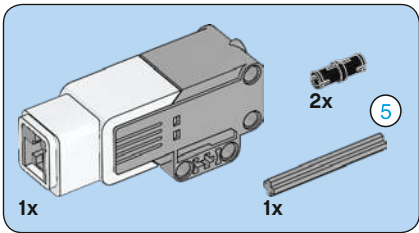




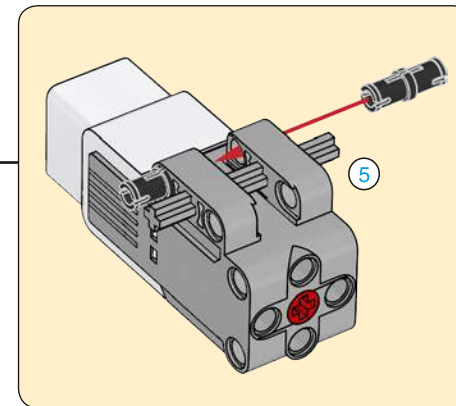
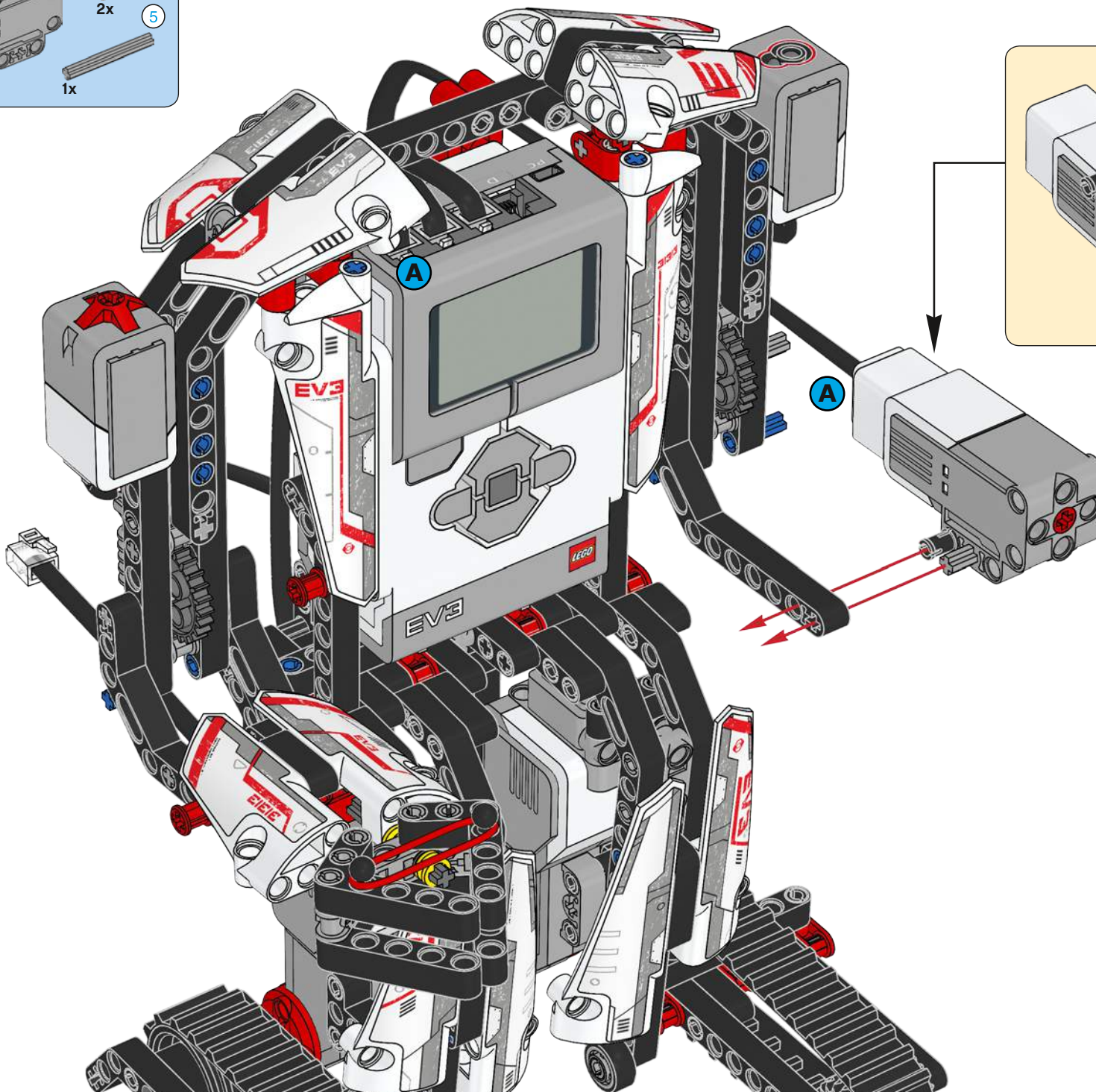


32

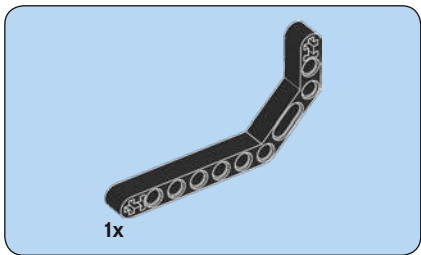




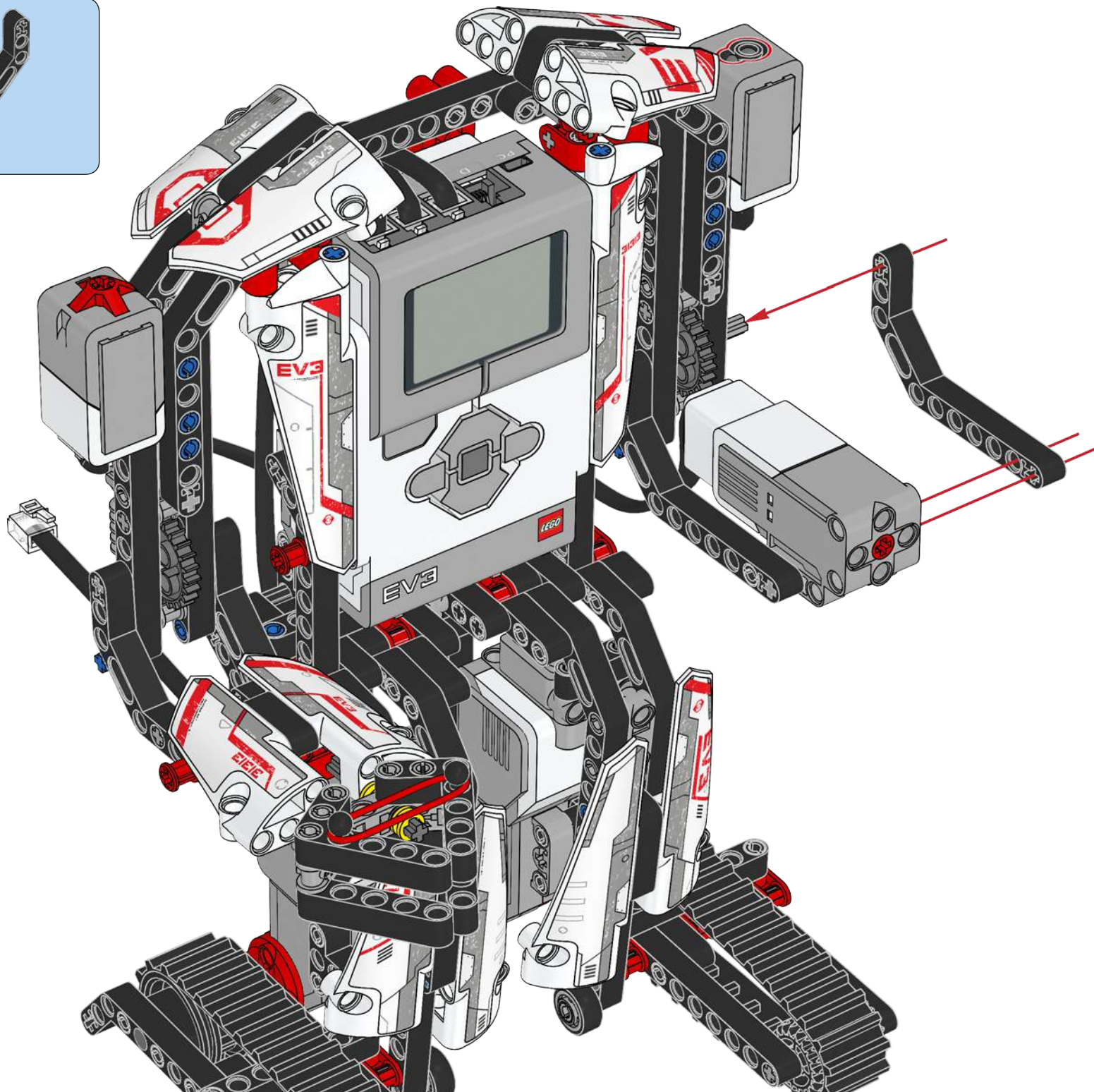
33

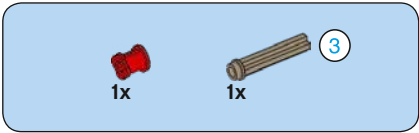
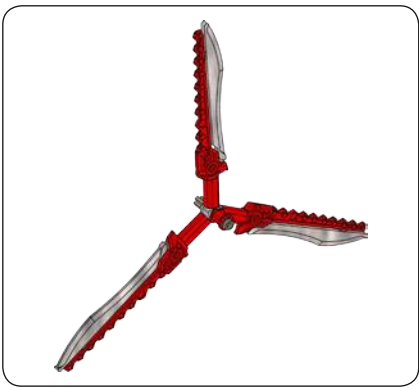




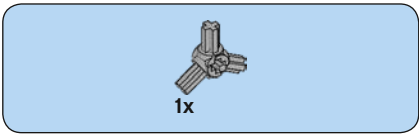
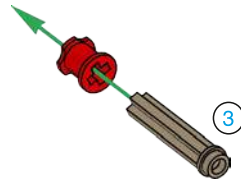


34



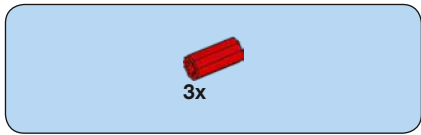


1

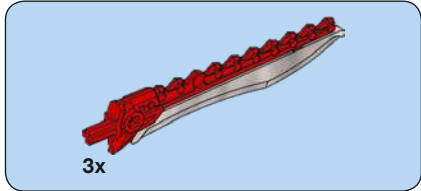
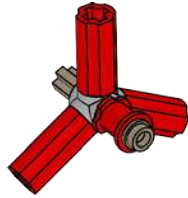


2

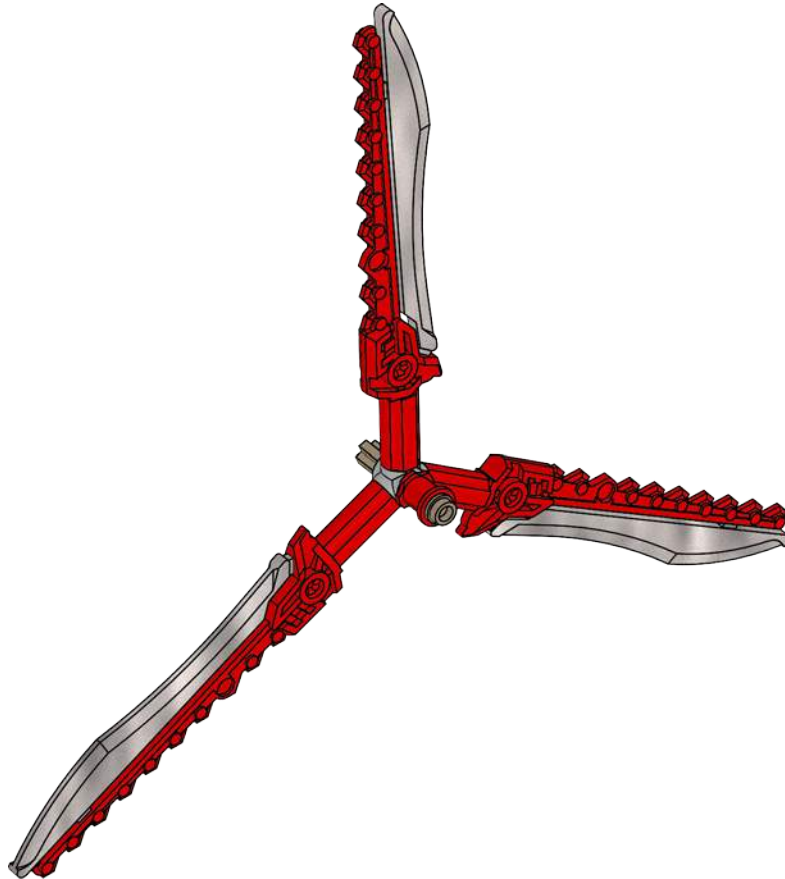




3

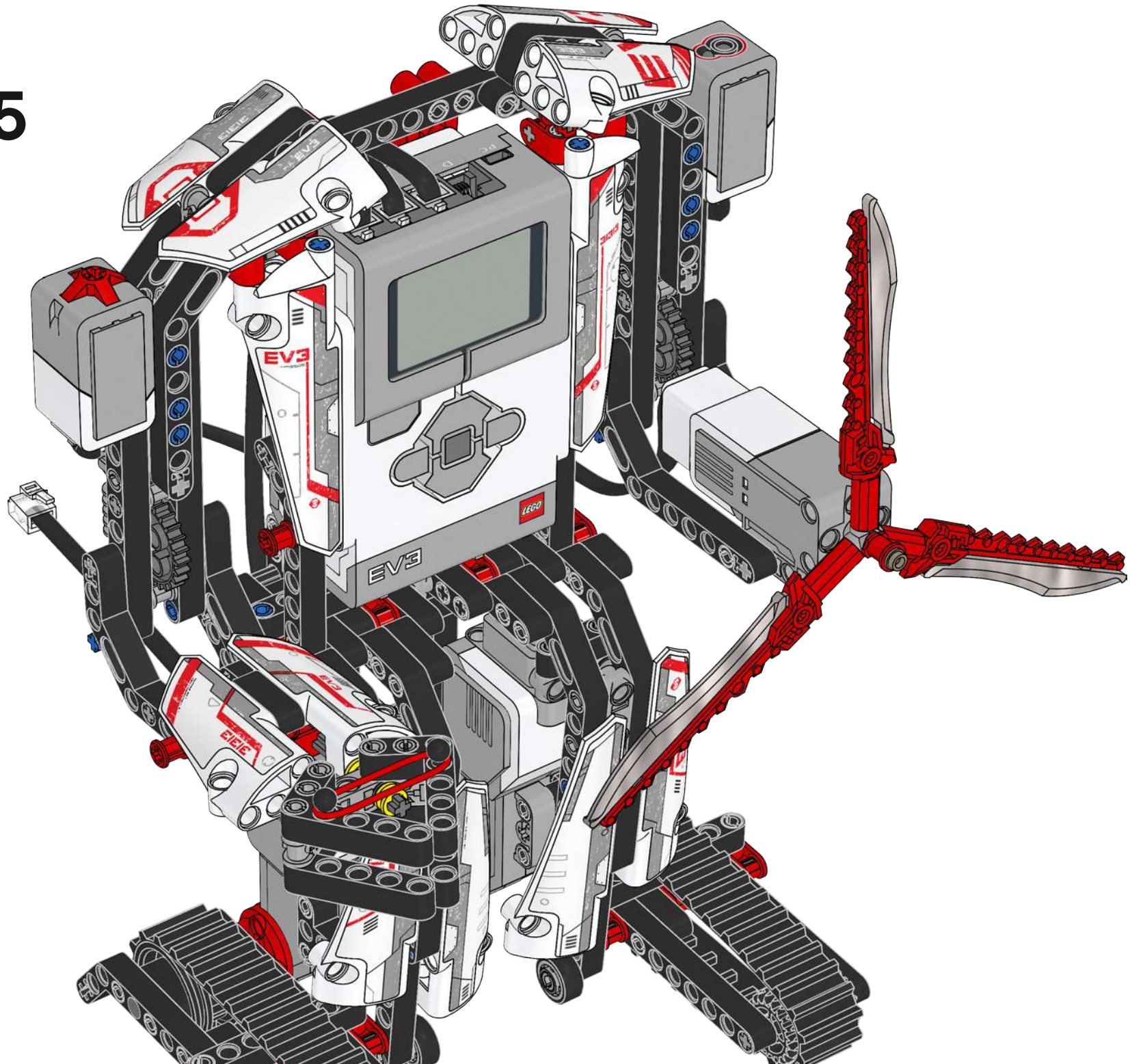


4

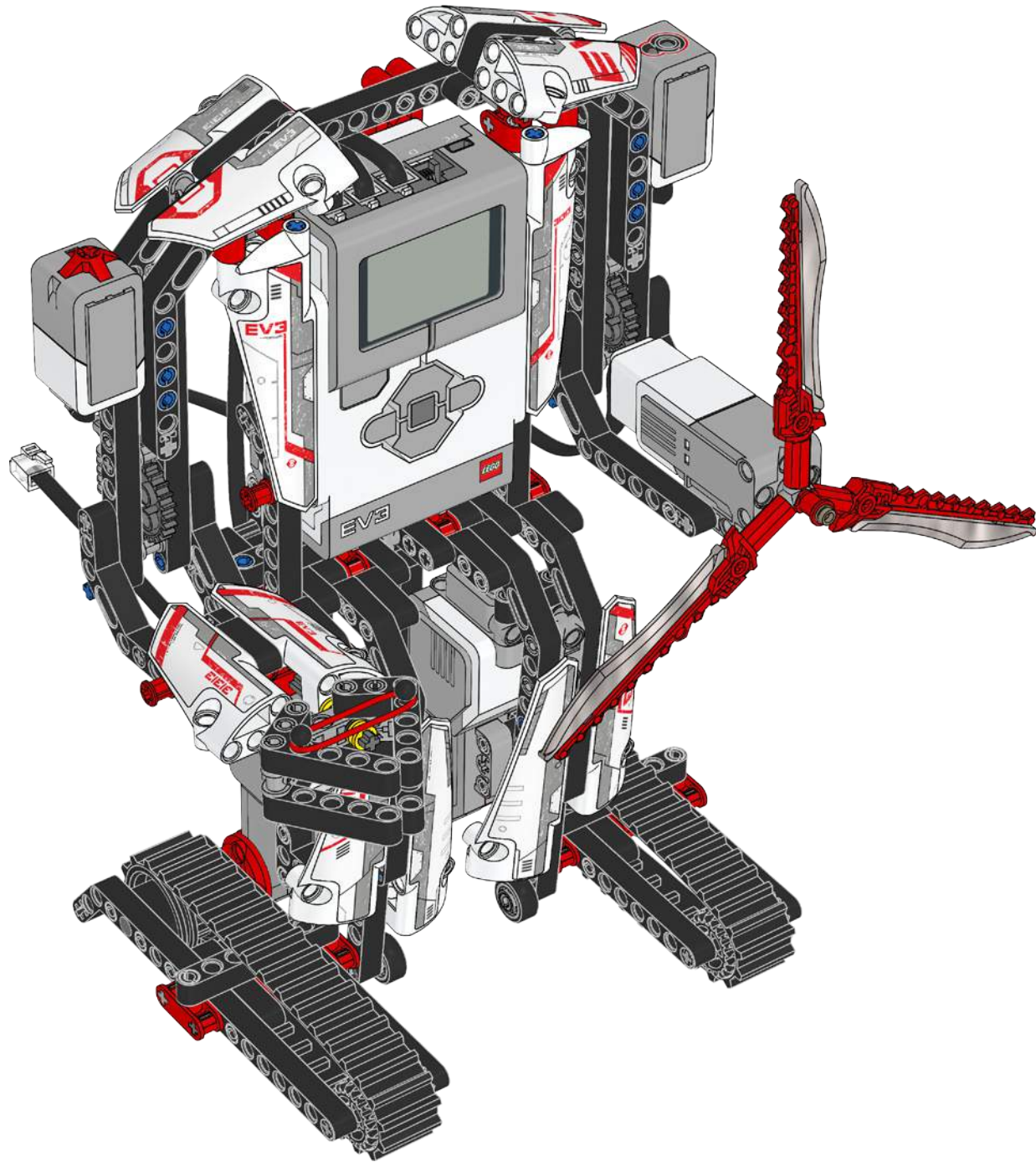


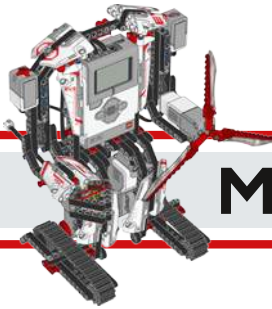


35









# MISSION 03

Download on the  
**App Store**

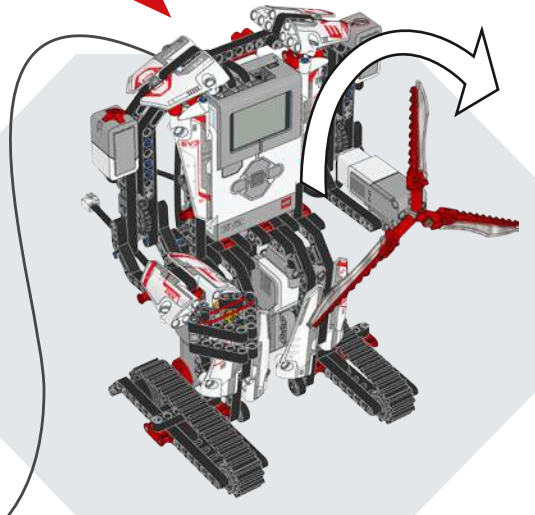
GET IT ON  
**Google play**



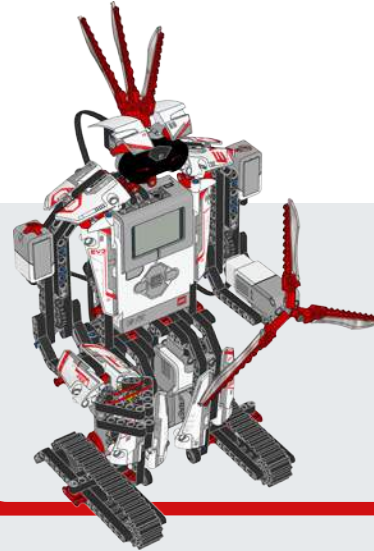
**LEGO® MINDSTORMS®**  
EV3 Programmer  
The LEGO Group

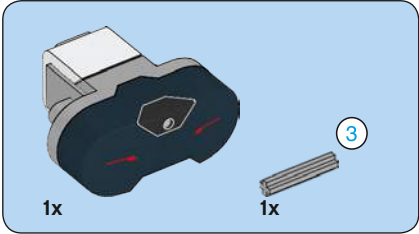
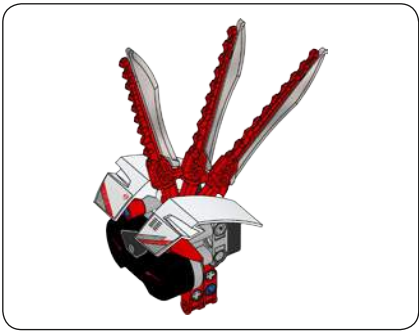


[LEGO.com/mindstorms/software](http://LEGO.com/mindstorms/software)



# MISSION 04

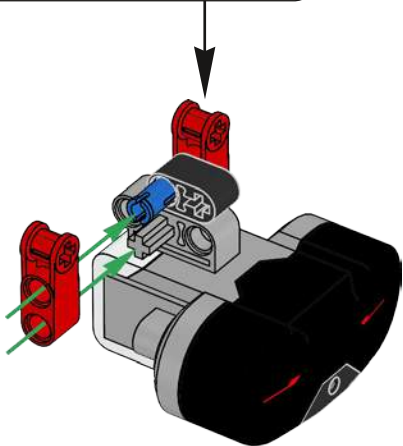
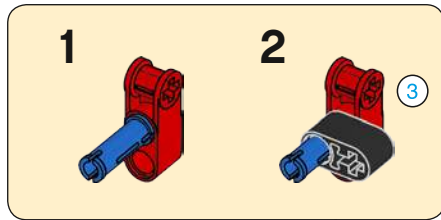
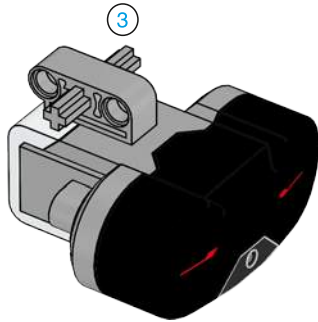


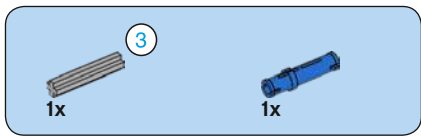


1

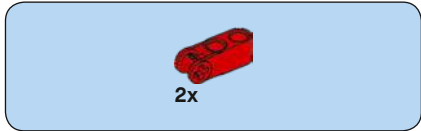
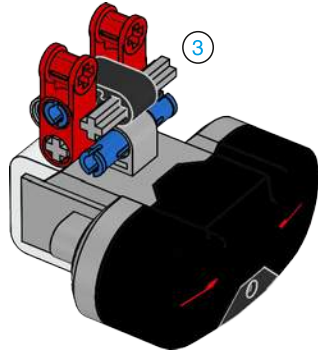


2

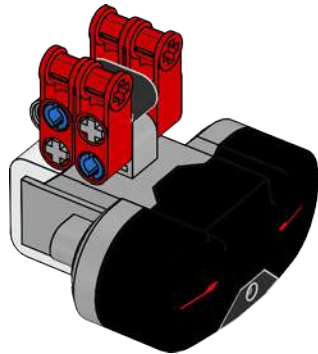


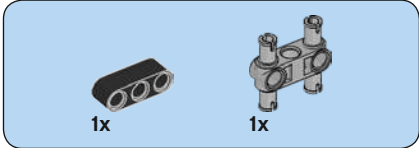
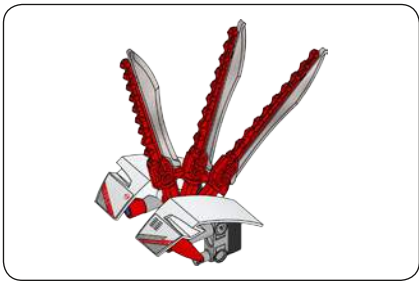


3

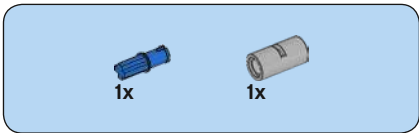
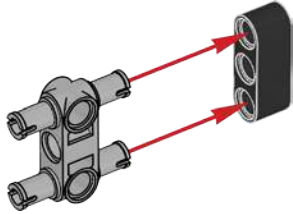


4

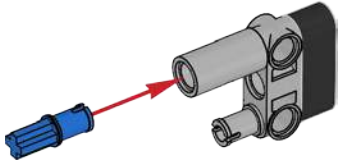




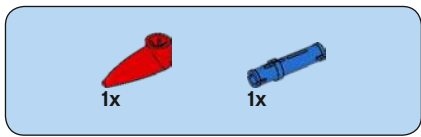
1



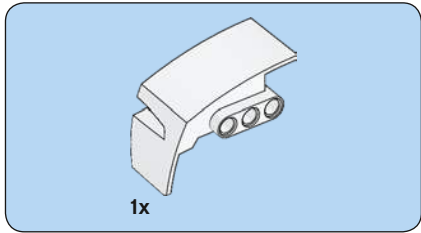
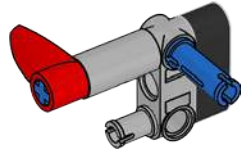
2



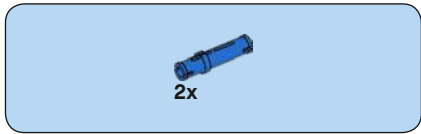
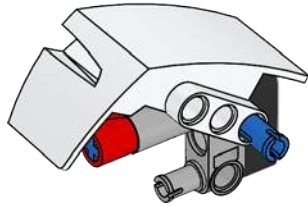




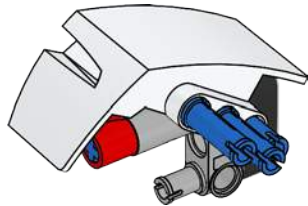
3



4

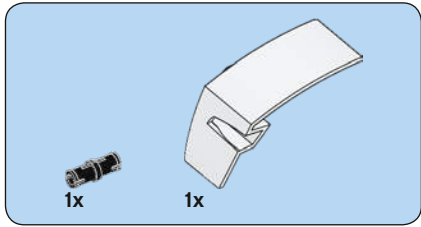
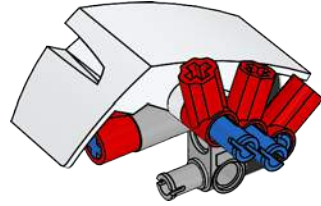


5

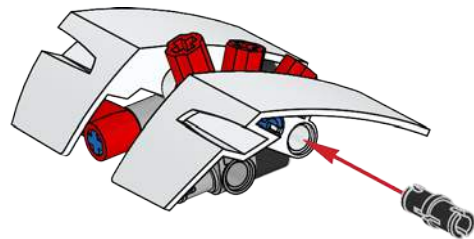


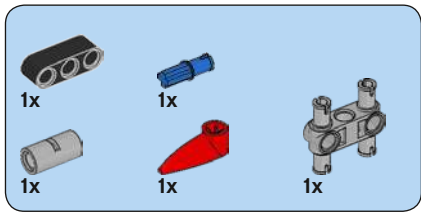


6

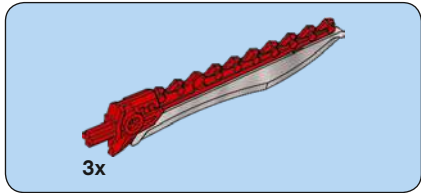
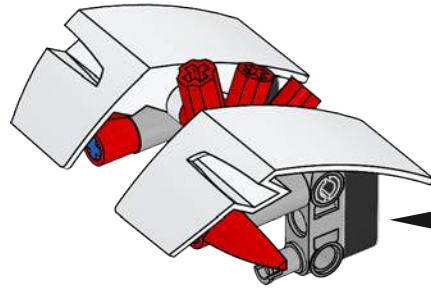
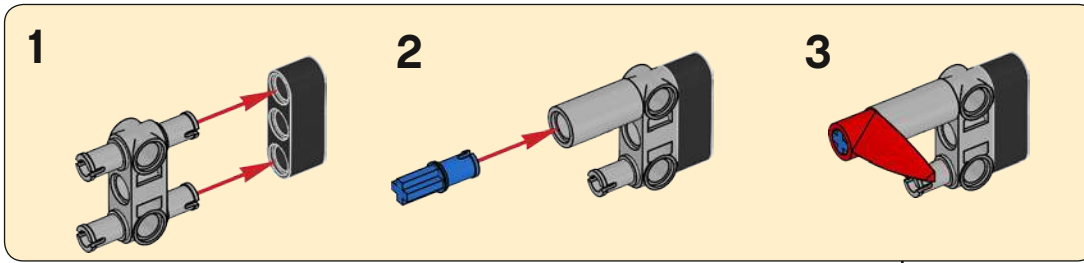


7

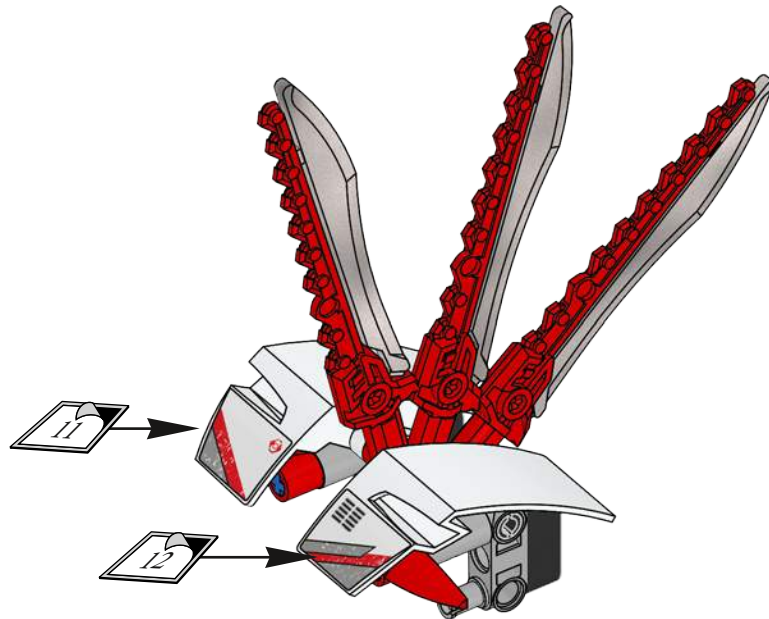




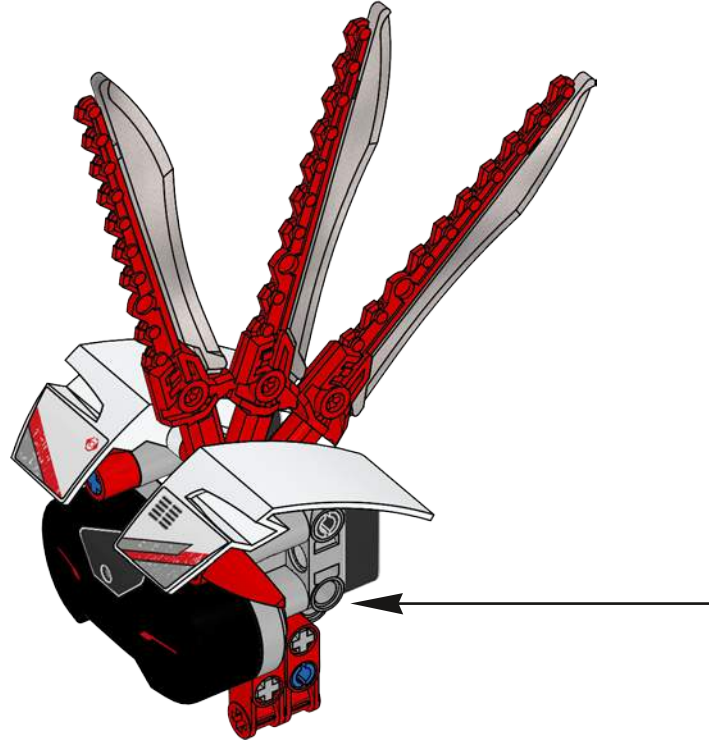
8

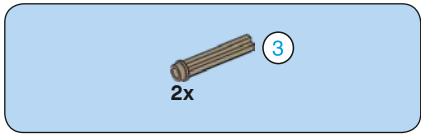


9

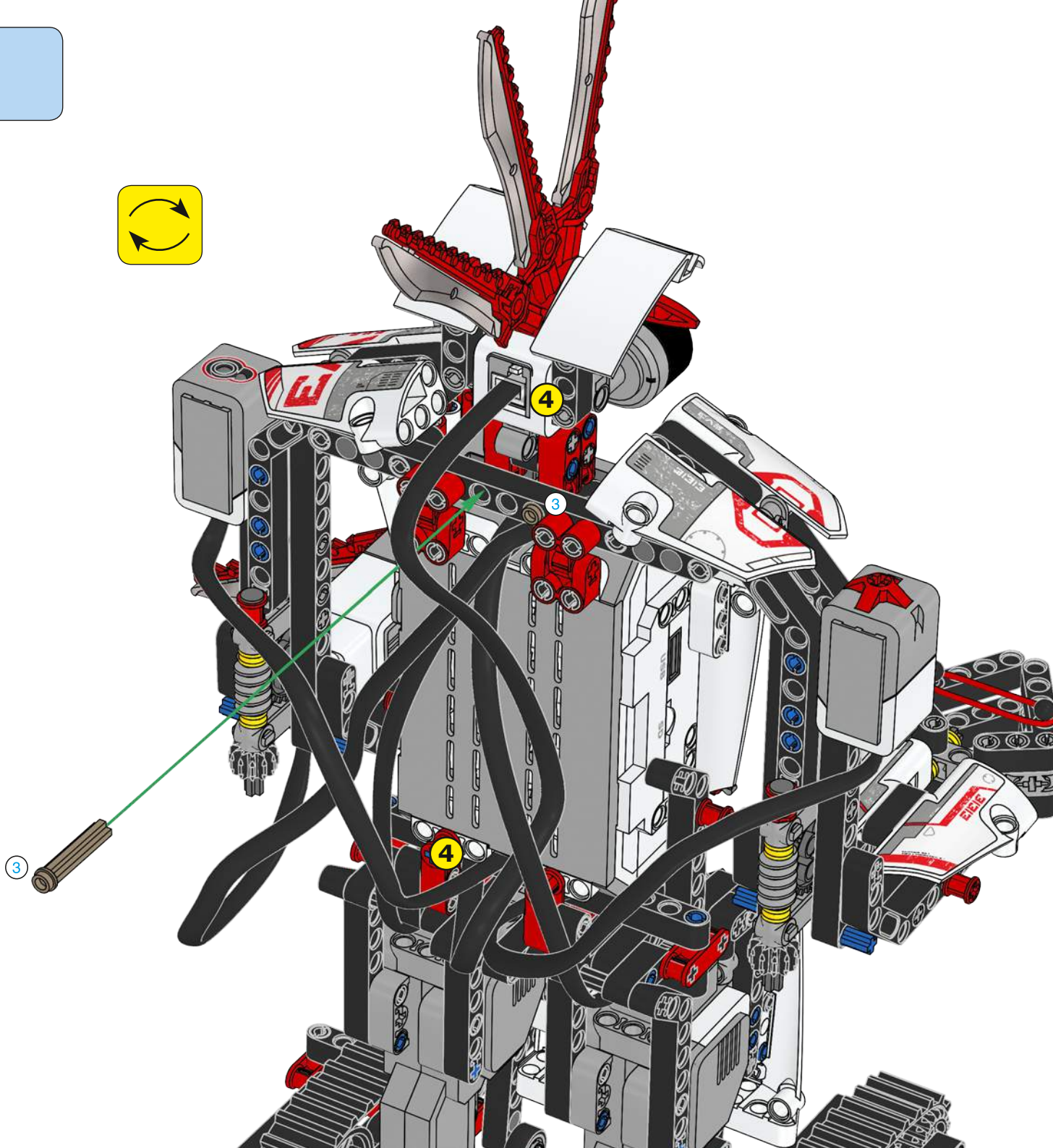


10

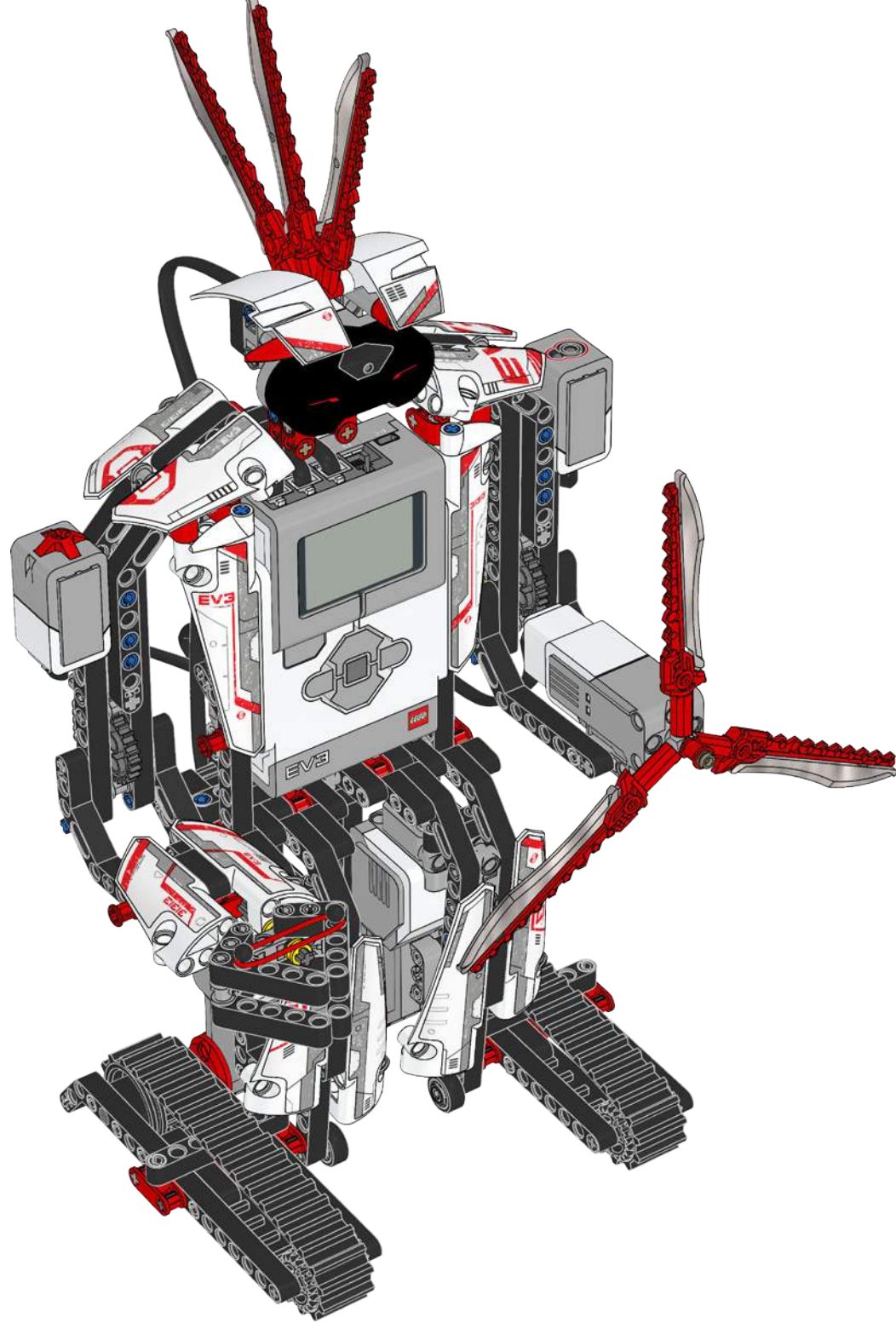




36

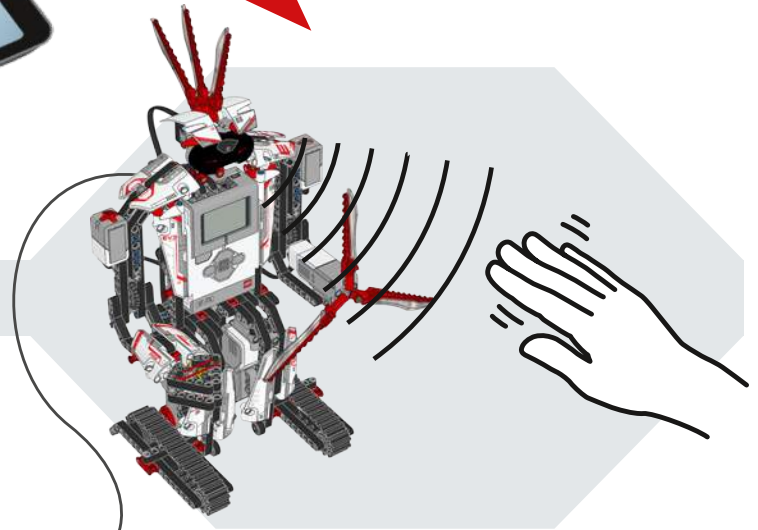








LEGO® MINDSTORMS®  
EV3 Programmer  
The LEGO Group



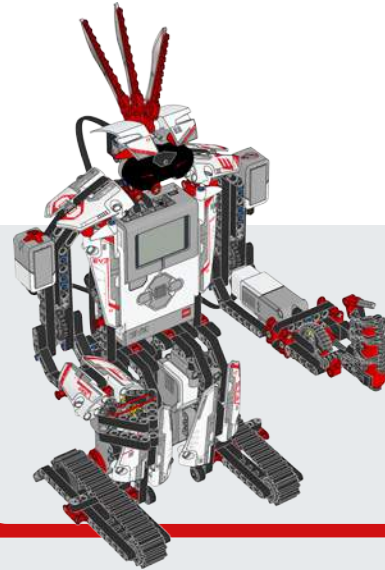
# MISSION 04

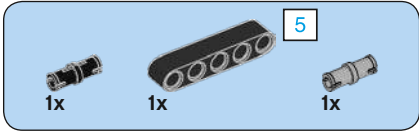
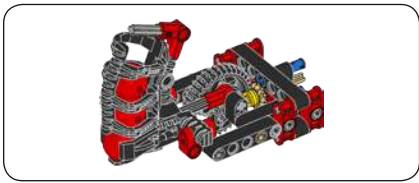


[LEGO.com/mindstorms/software](http://LEGO.com/mindstorms/software)

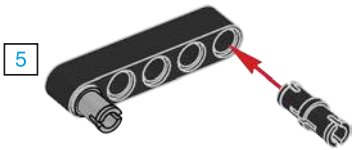


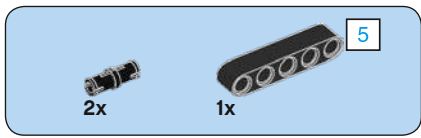
# MISSION 05



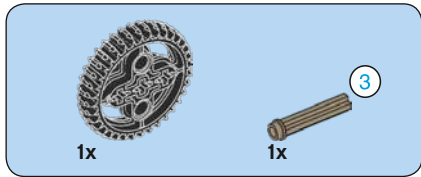
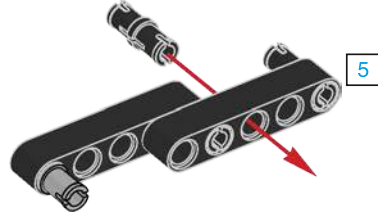


1

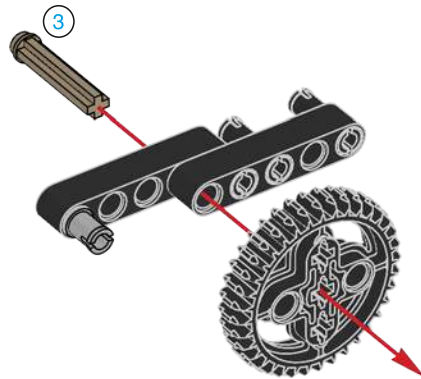




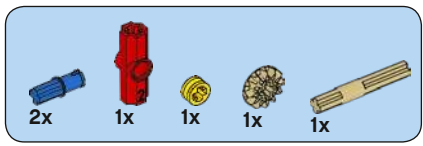
2



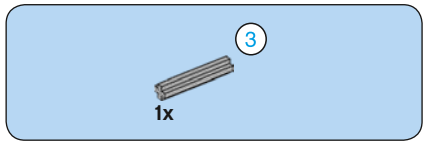
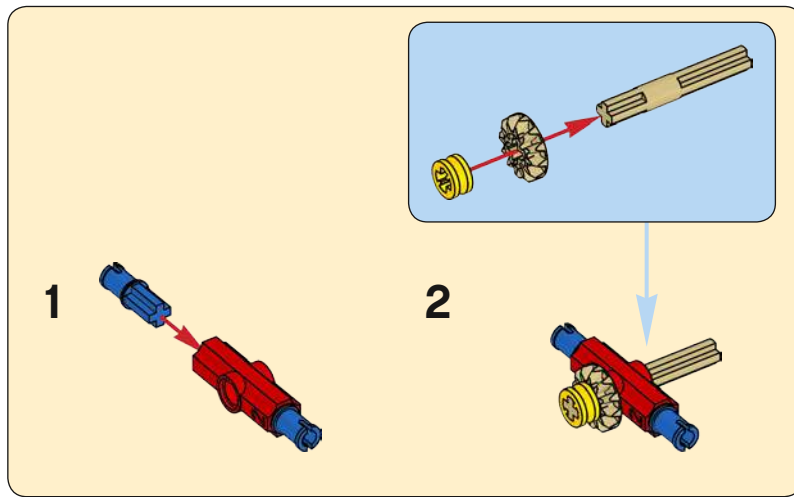
3





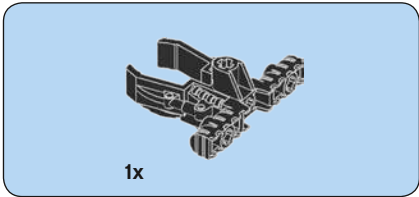
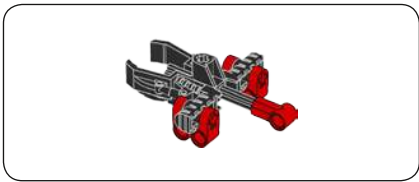


4

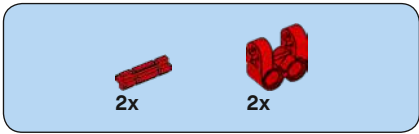
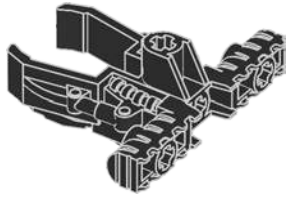


5

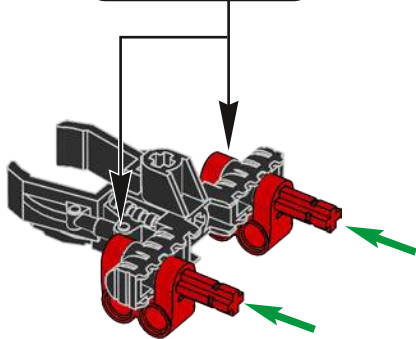
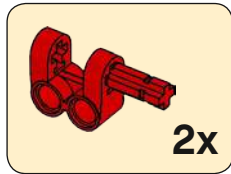


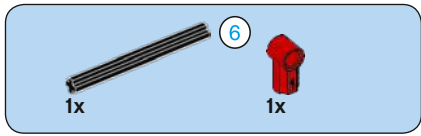


1

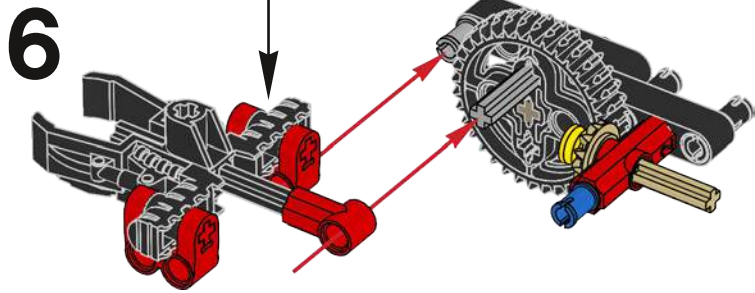
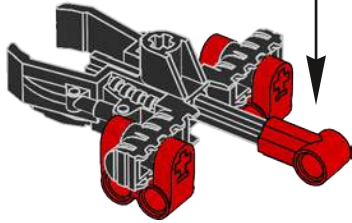
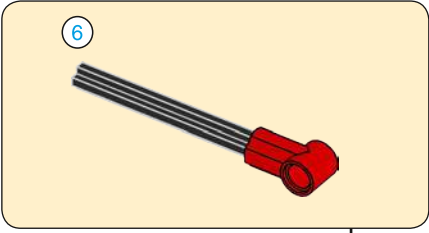


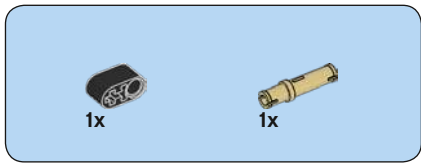
2



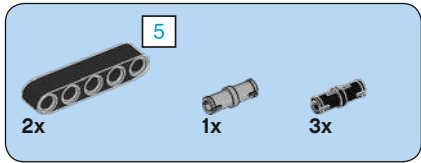
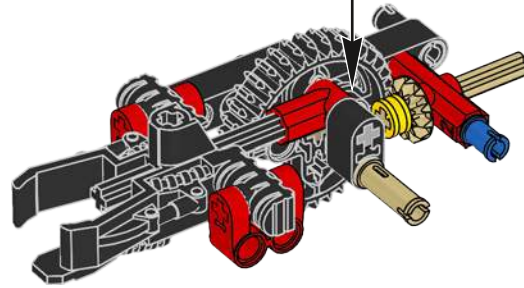
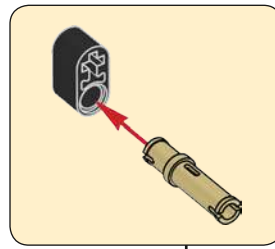


3

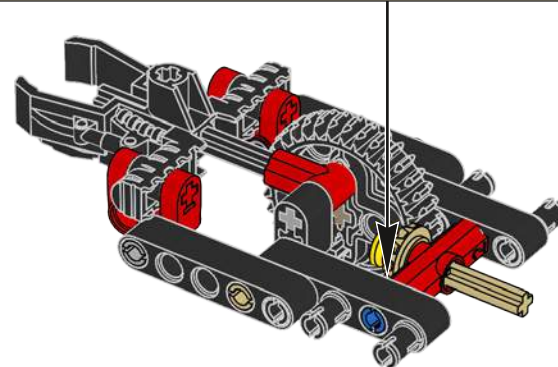
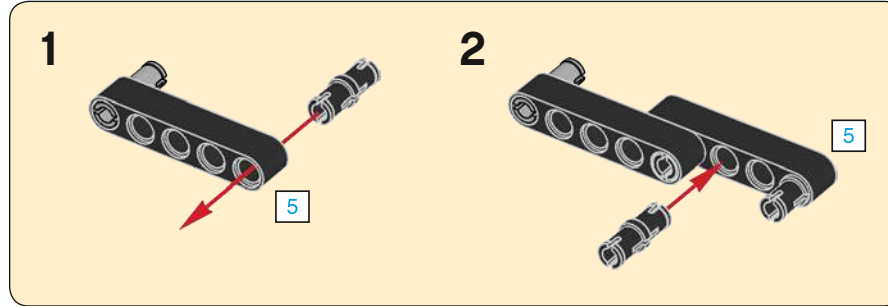


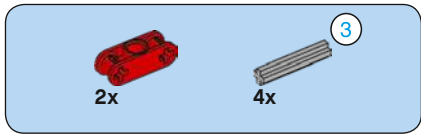


7

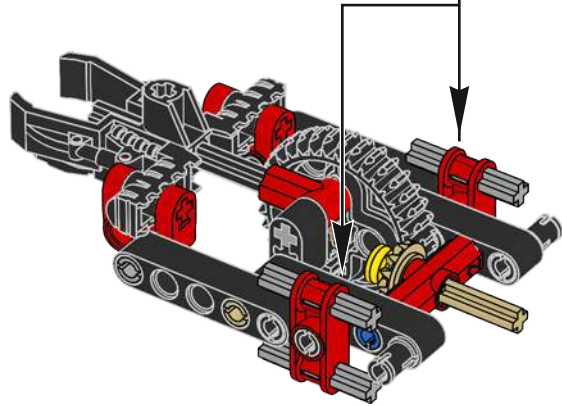
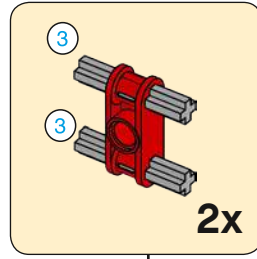


8

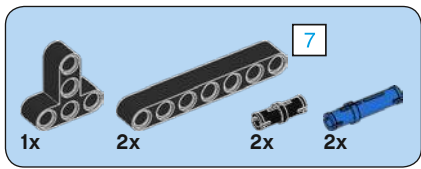




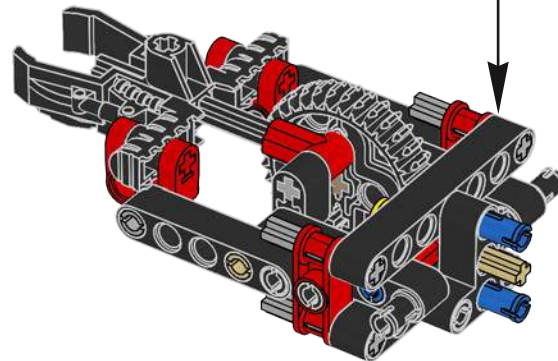
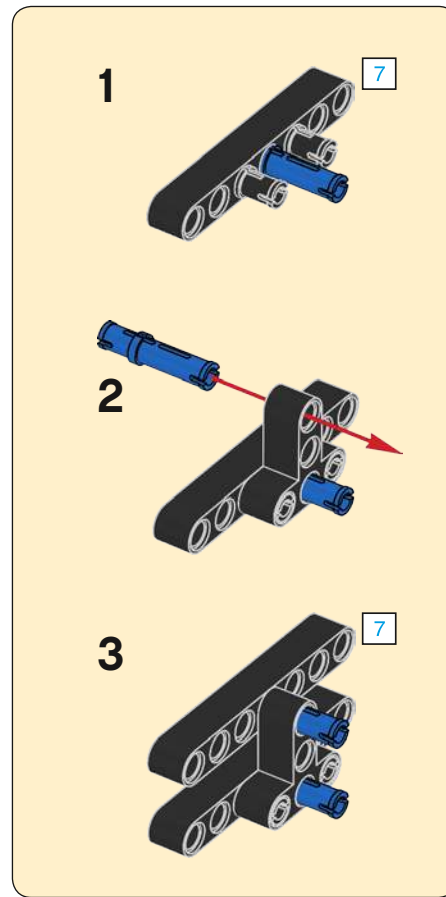
9





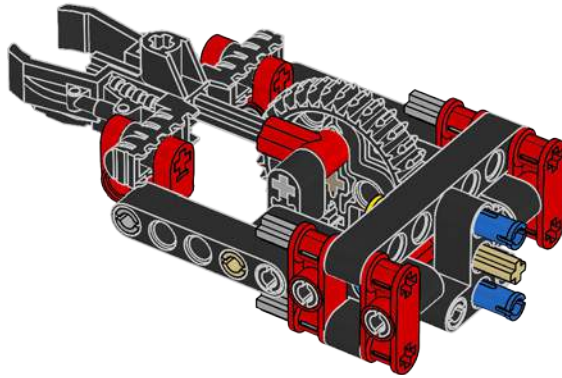


# 10

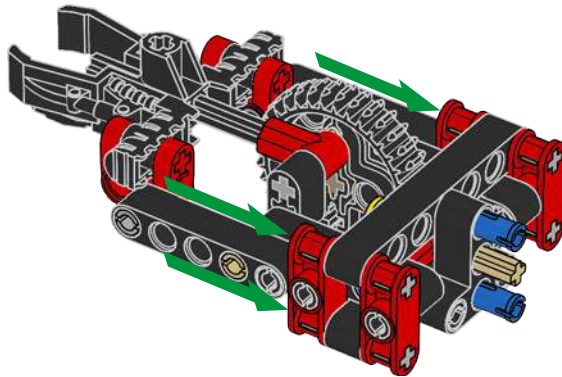


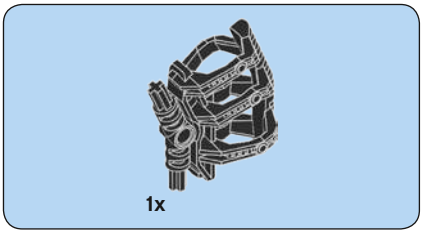


11

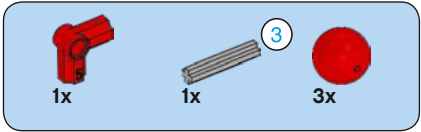
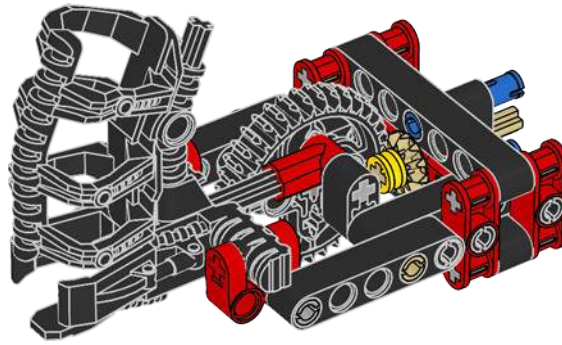


12

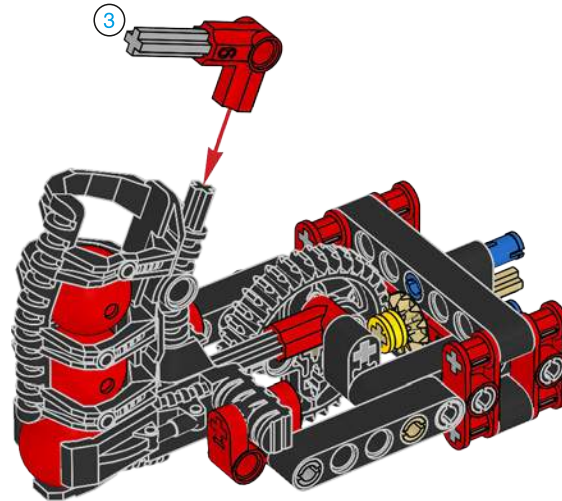


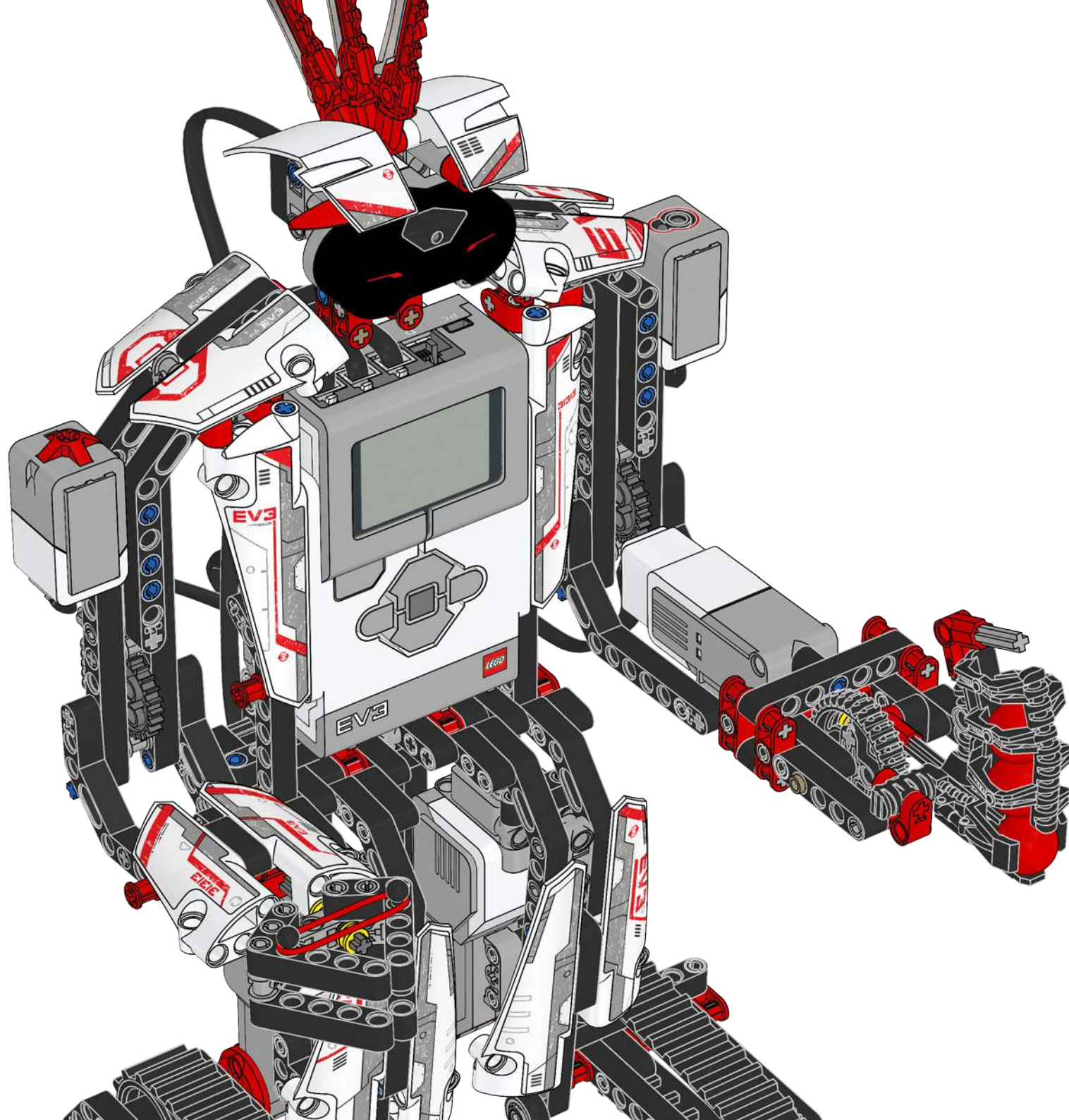


13

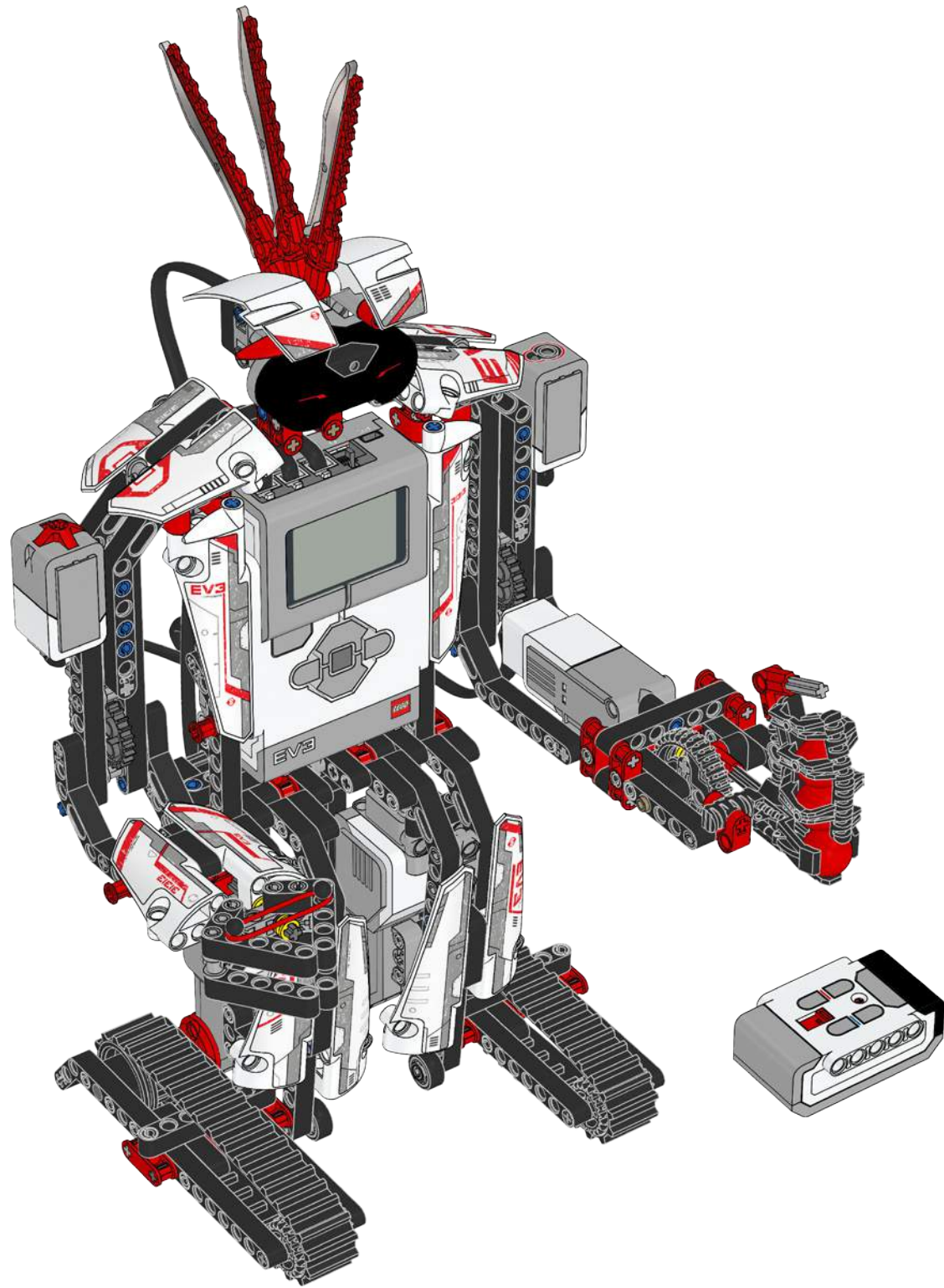


14













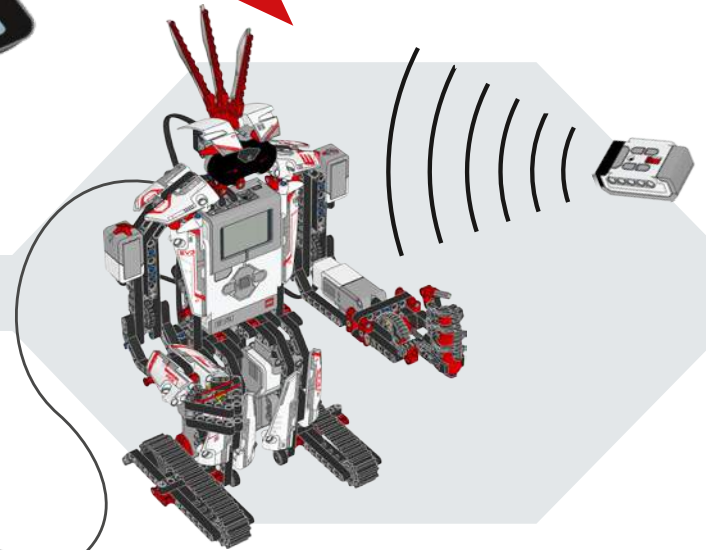
# MISSION 05

Download on the  
**App Store**

GET IT ON  
**Google play**



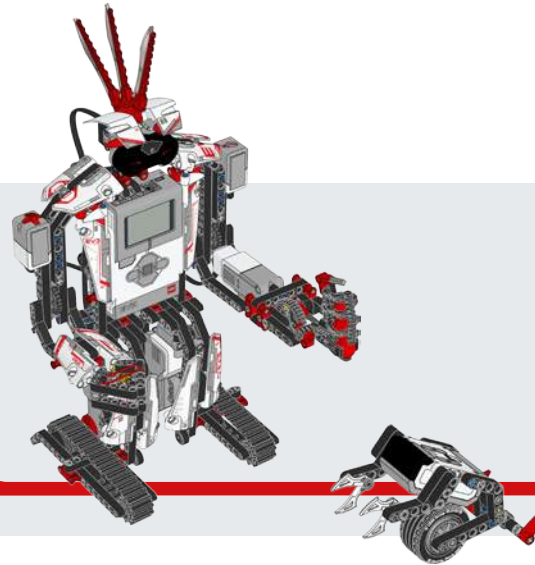
**LEGO® MINDSTORMS®**  
EV3 Programmer  
The LEGO Group

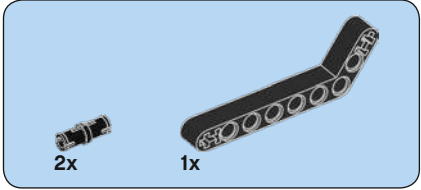
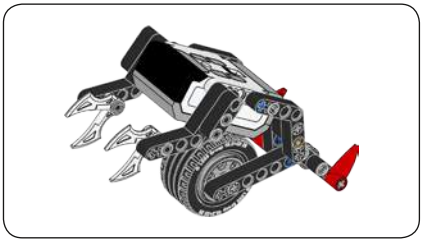


 [LEGO.com/mindstorms/software](http://LEGO.com/mindstorms/software)

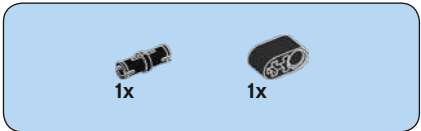
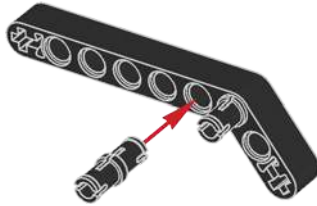


# MISSION 06

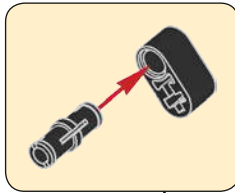


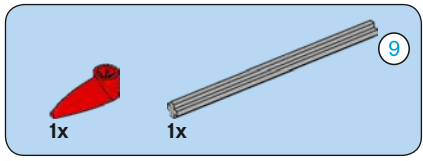


1

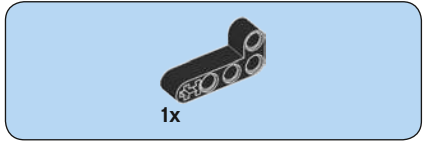
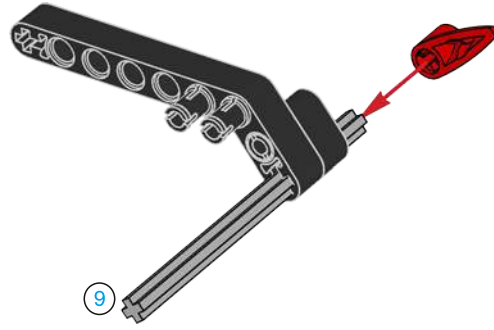


2

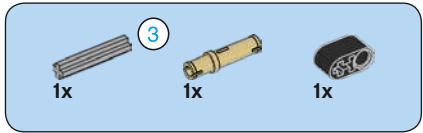
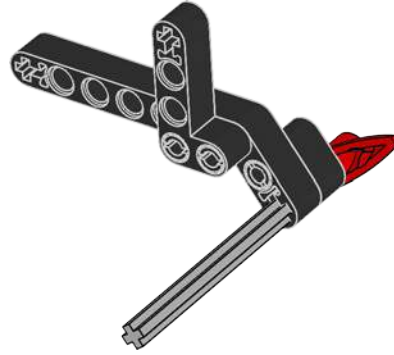




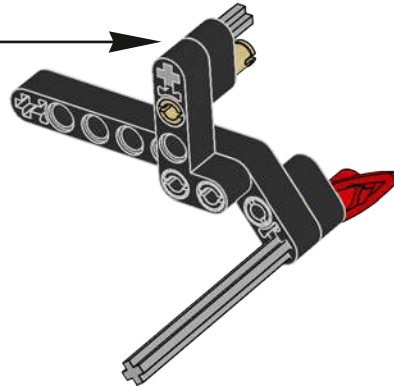
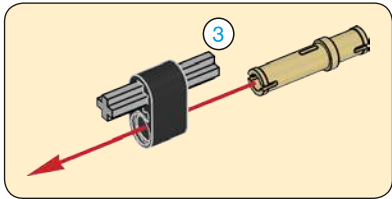
3

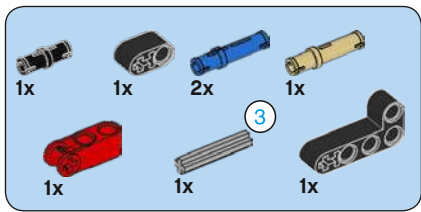


4

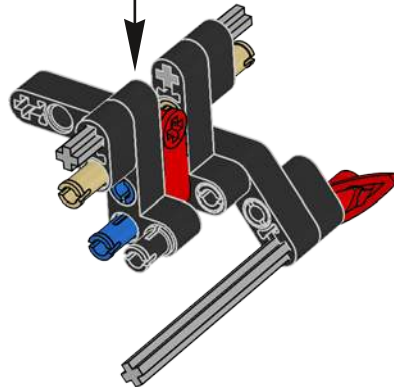
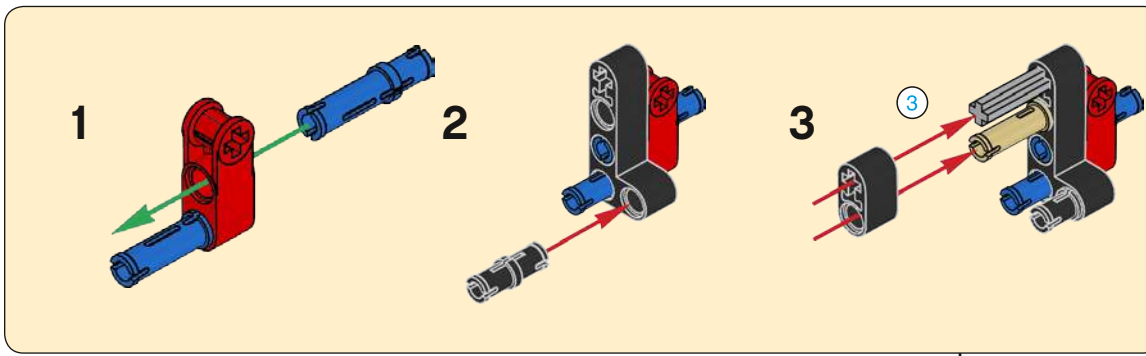


5

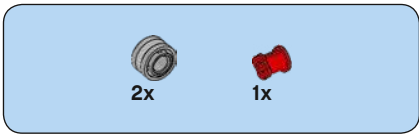




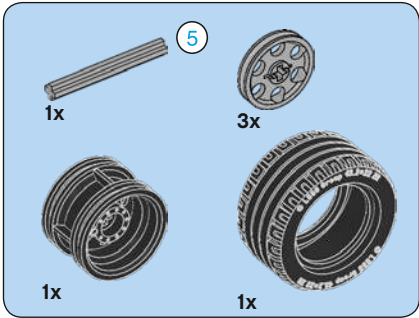
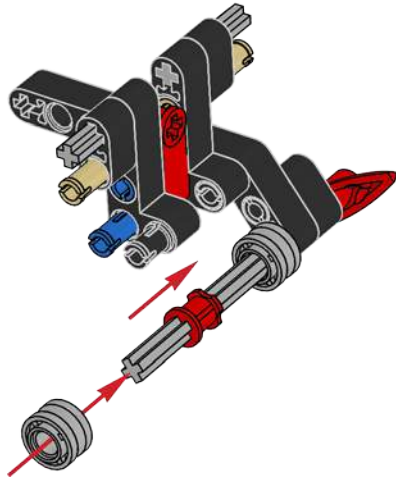
6



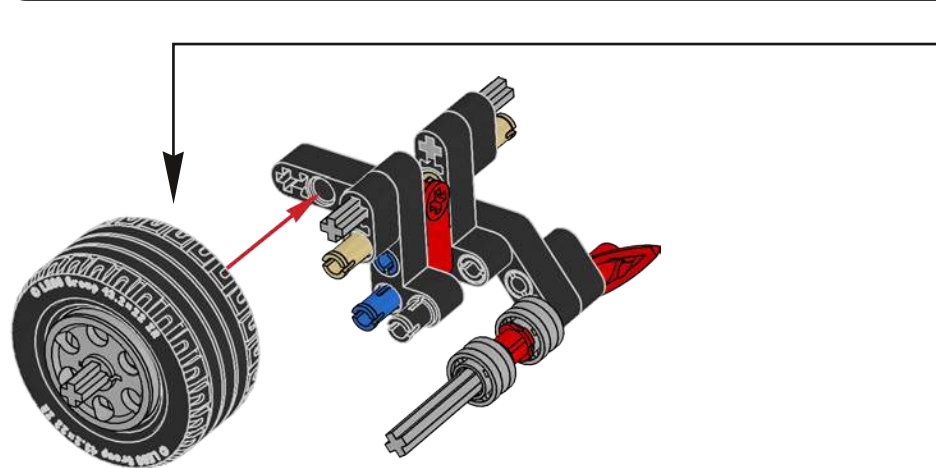
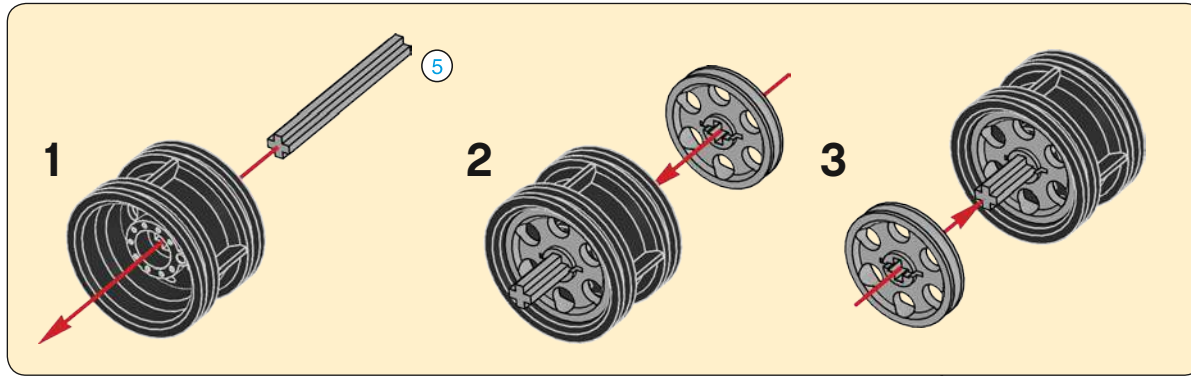


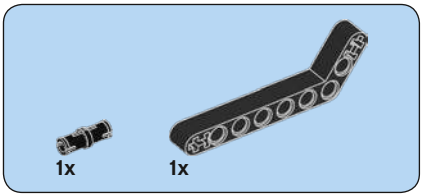


7

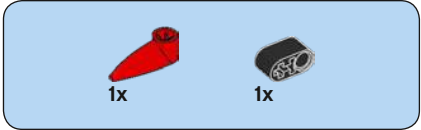
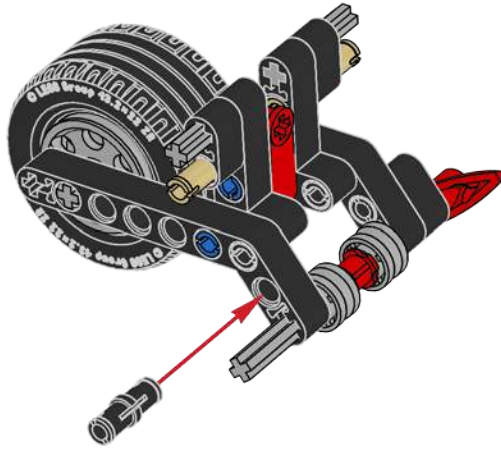


8

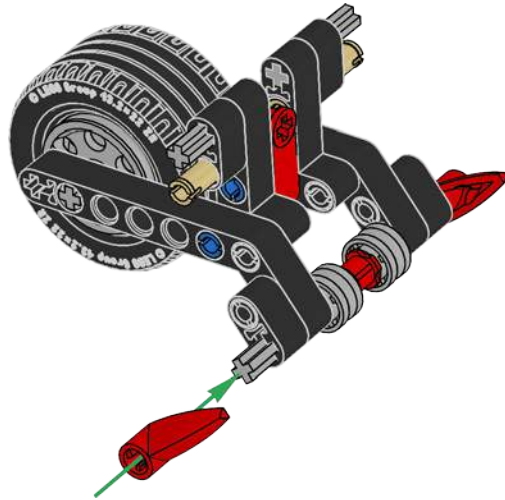


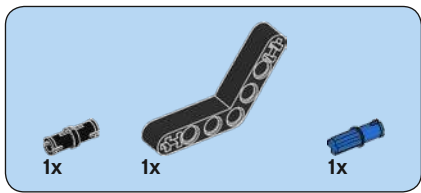


9

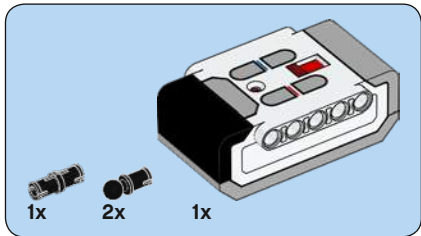
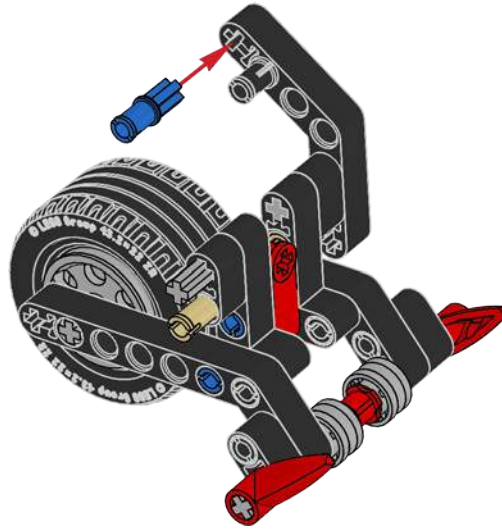


10

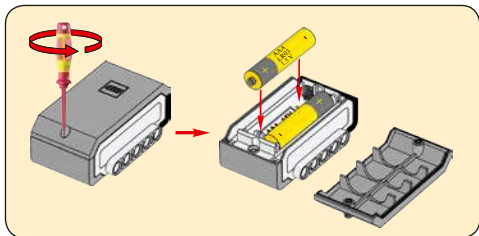




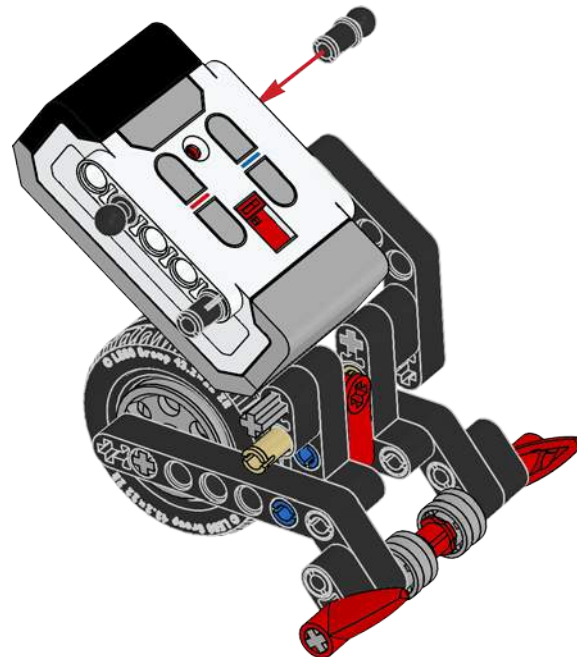
11

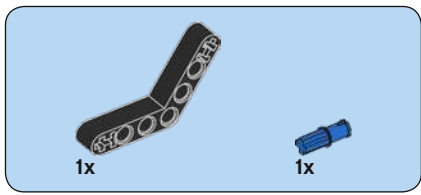


12

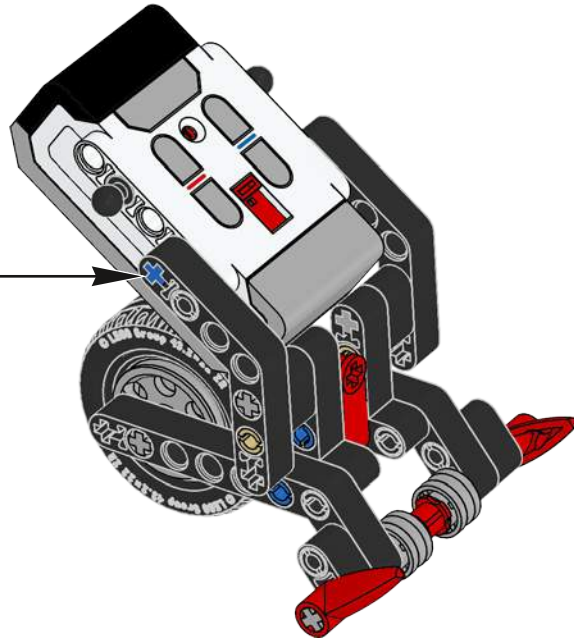
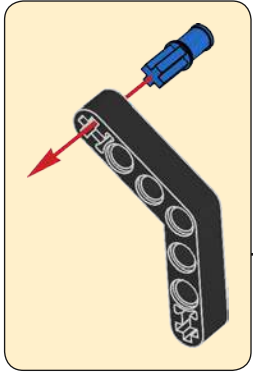


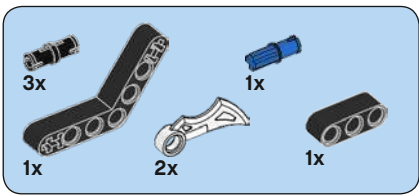
x2



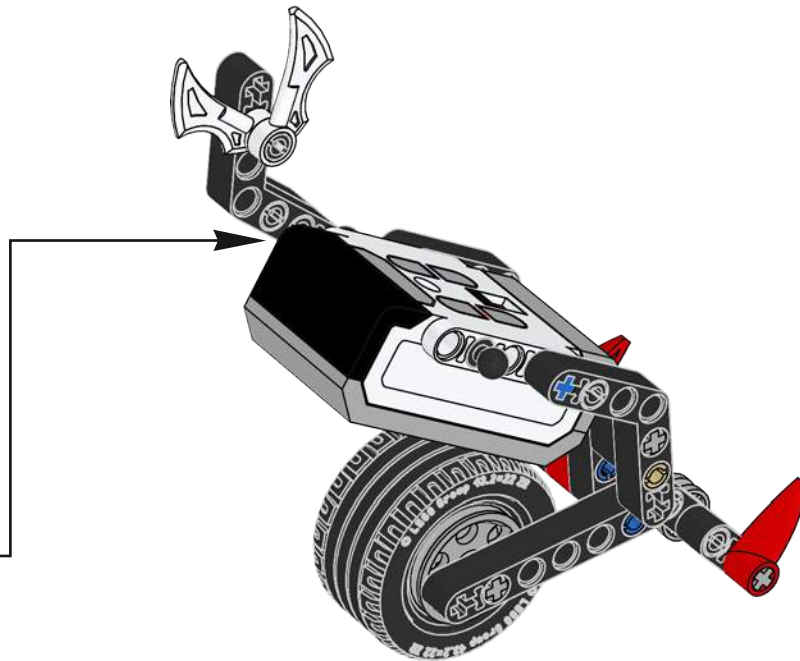
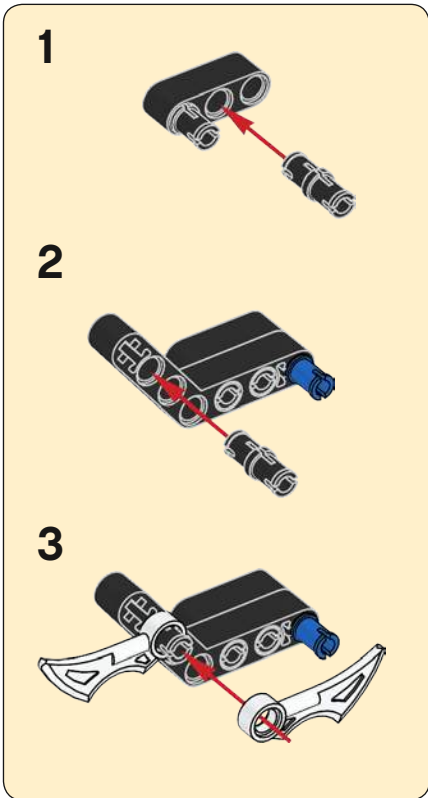


13

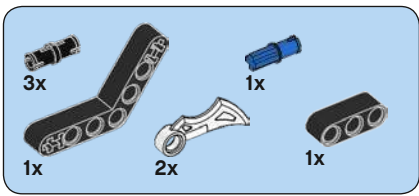




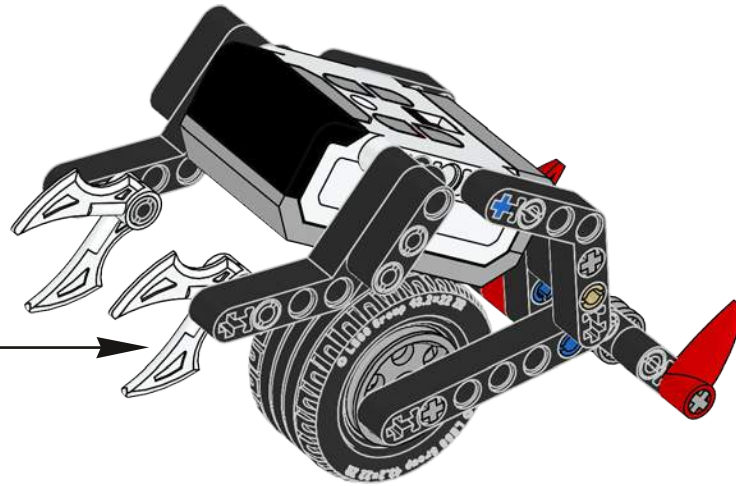
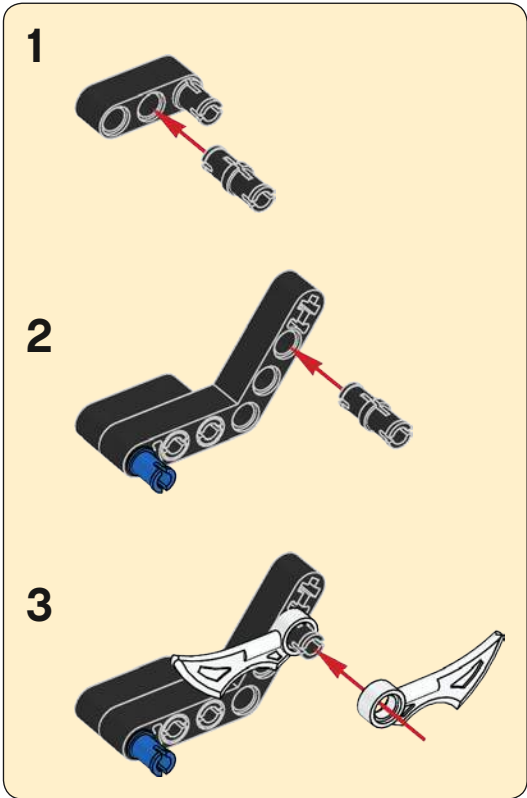
# 14

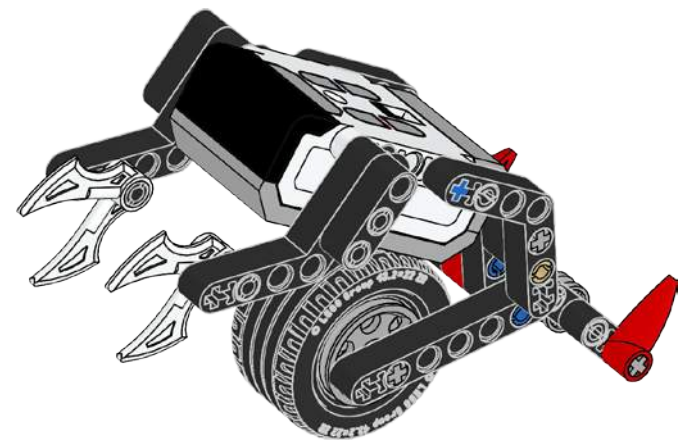
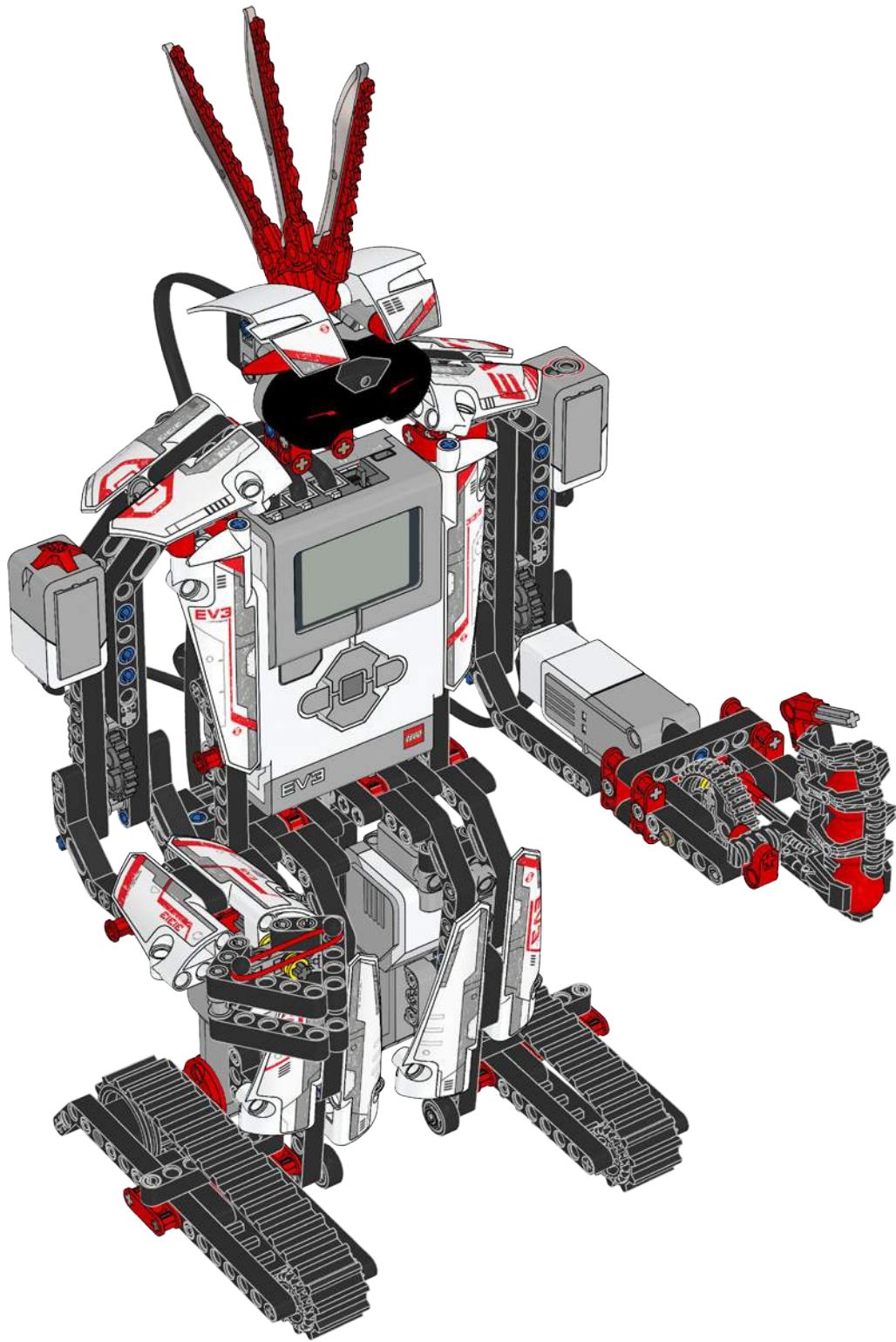






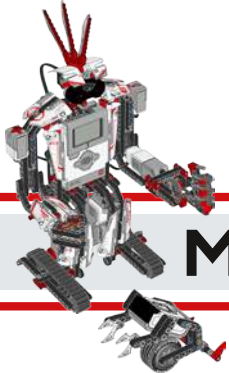
15



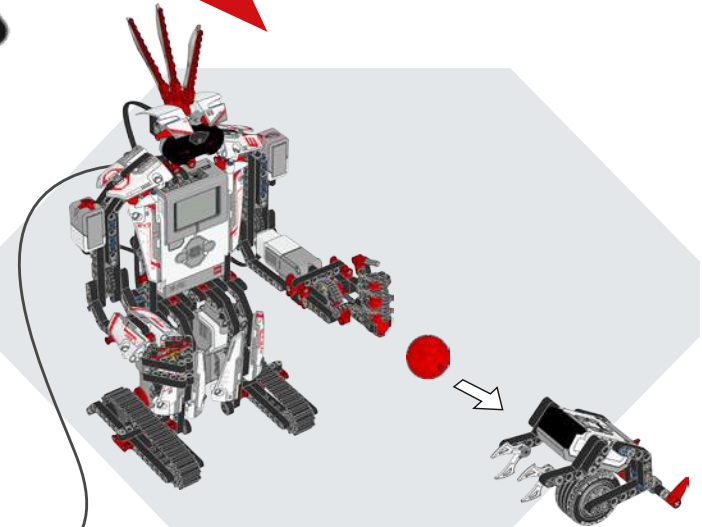




**LEGO® MINDSTORMS®**  
EV3 Programmer  
The LEGO Group



# MISSION 06



 [LEGO.com/mindstorms/software](http://LEGO.com/mindstorms/software)



