



MINDSTORMS

EV3

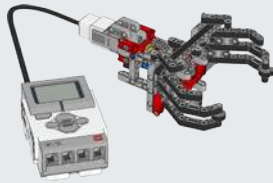


31313

GRIPP3R



1.

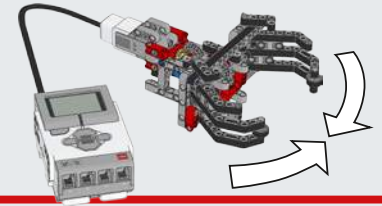


2.

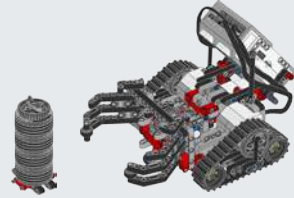
MISSION 01



3.



1.

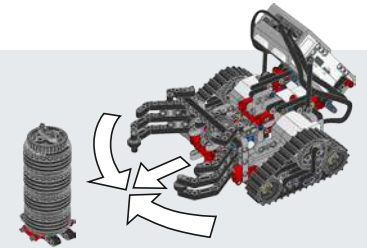


2.

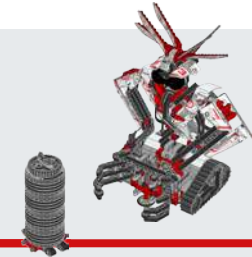
MISSION 02



3.



1.

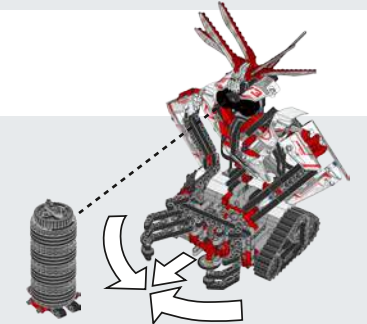


2.

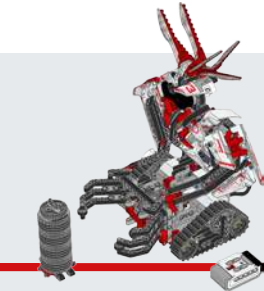
MISSION 03



3.



1.

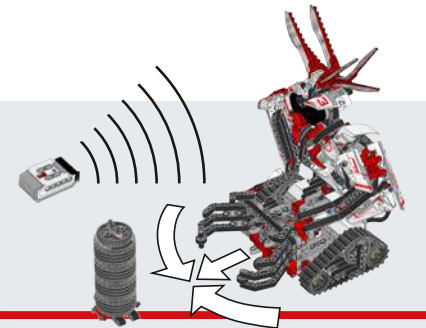


2.

MISSION 04



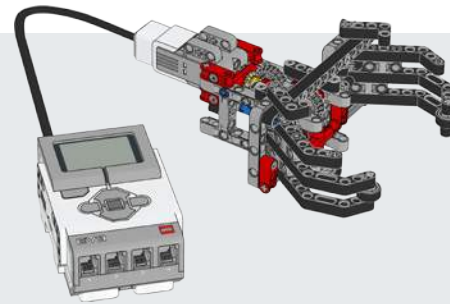
3.

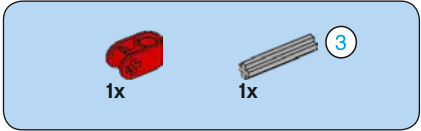
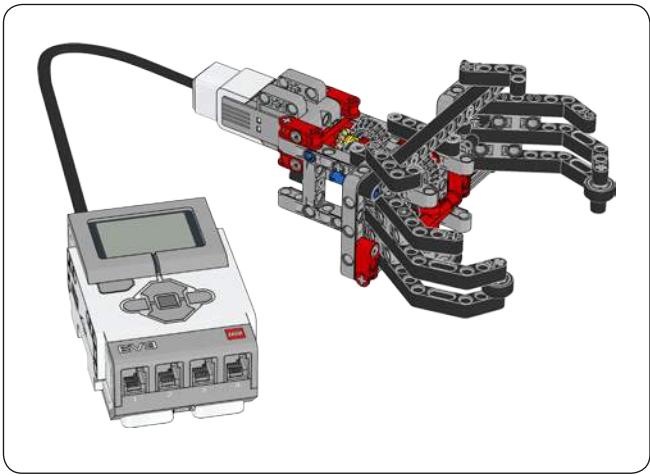


MISSION 01



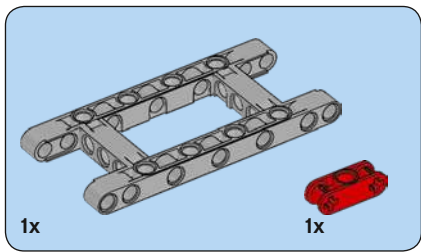
3-24



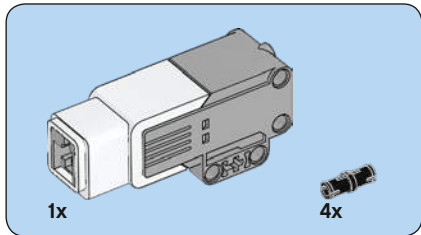
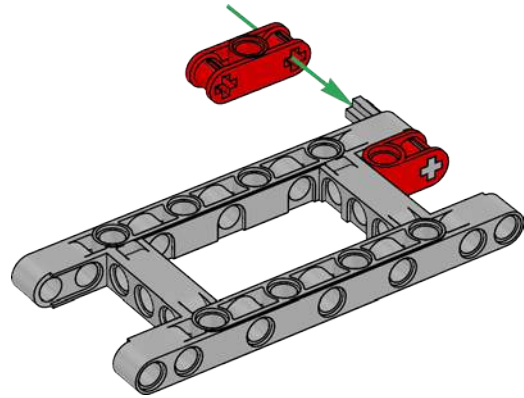


1

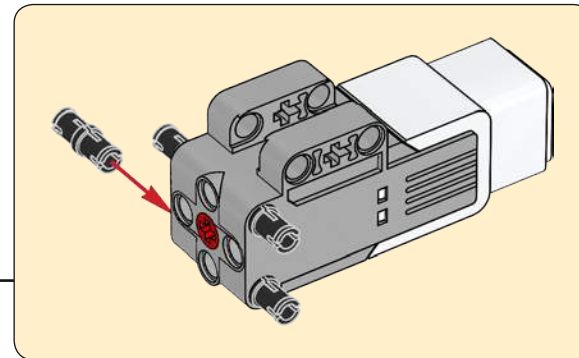
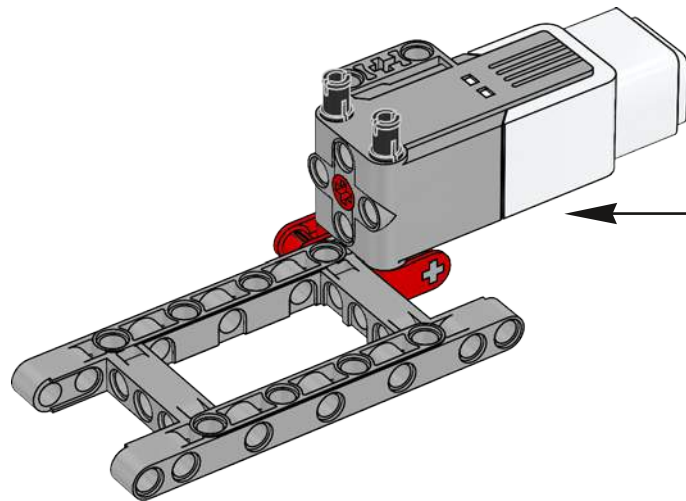


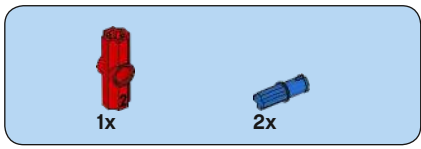


2

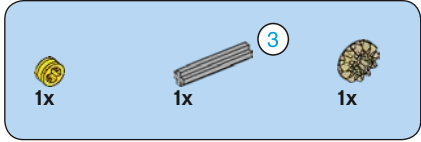
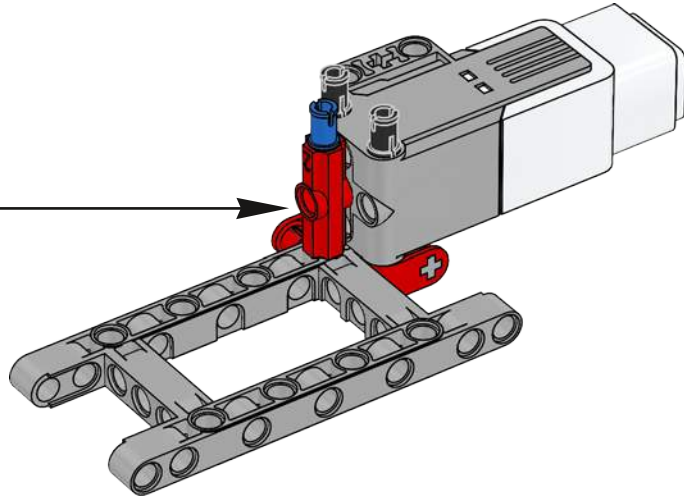
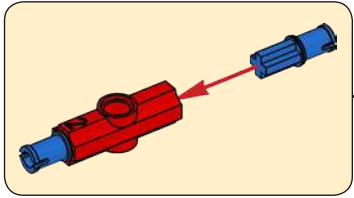


3

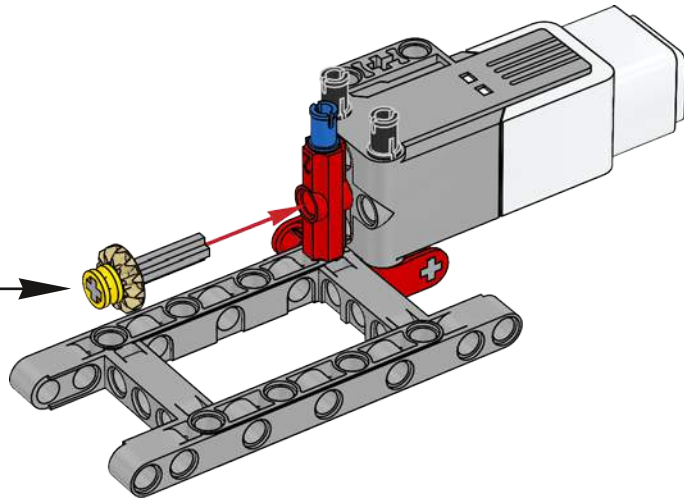
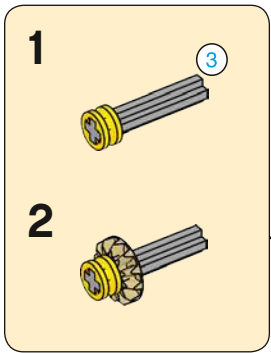


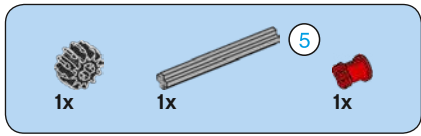


4

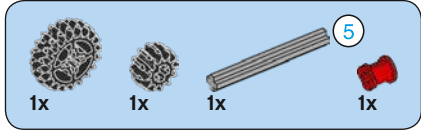
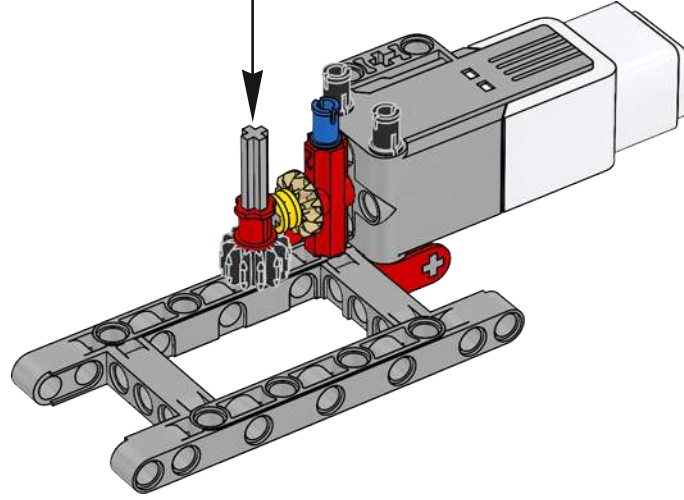
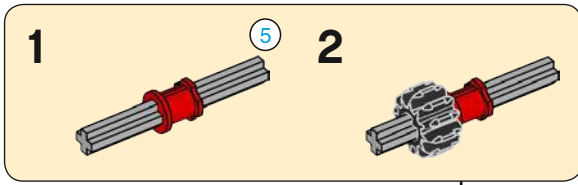


5

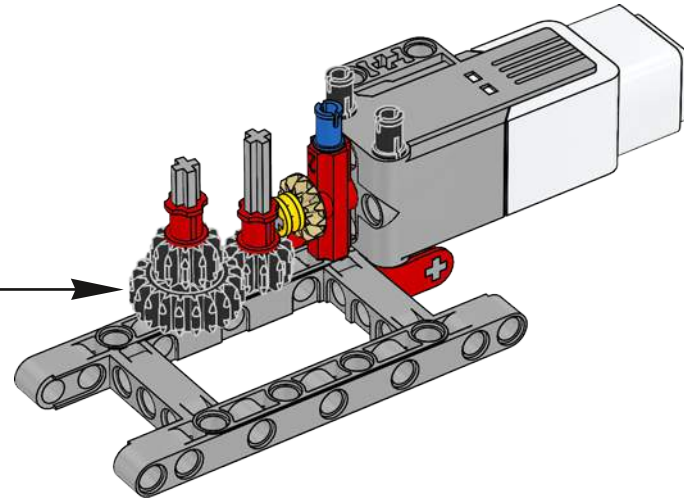
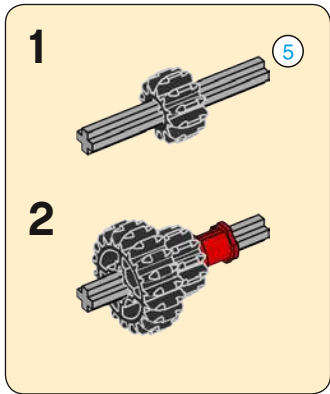


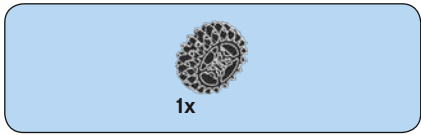


6

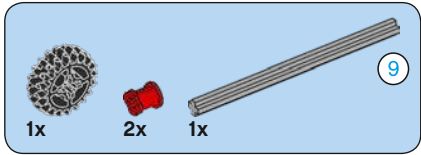
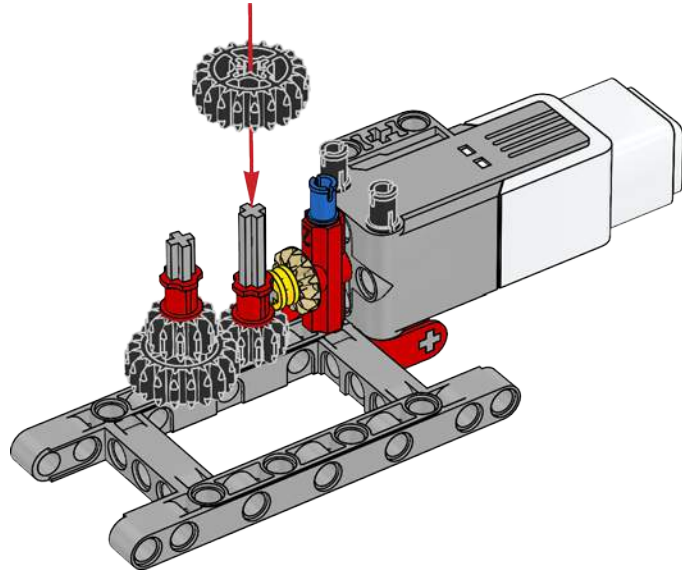


7

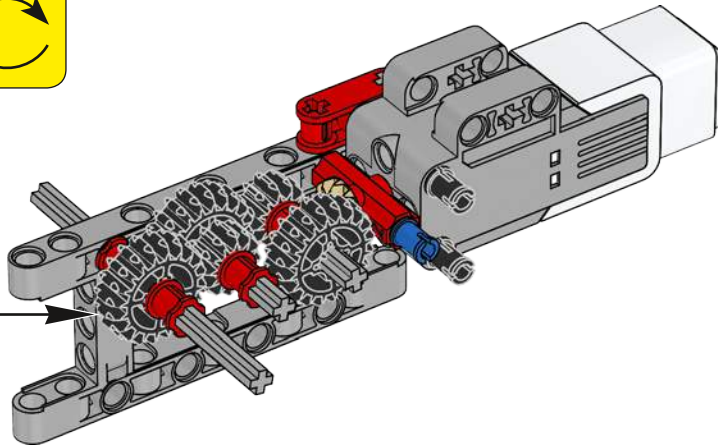
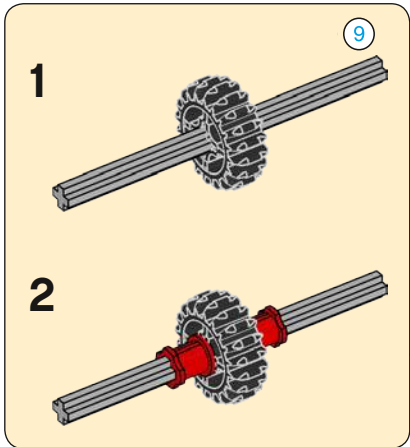


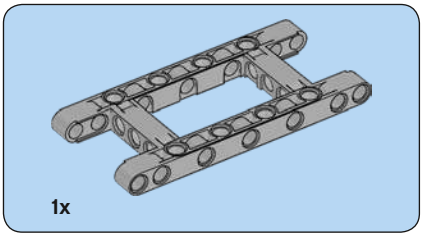


8

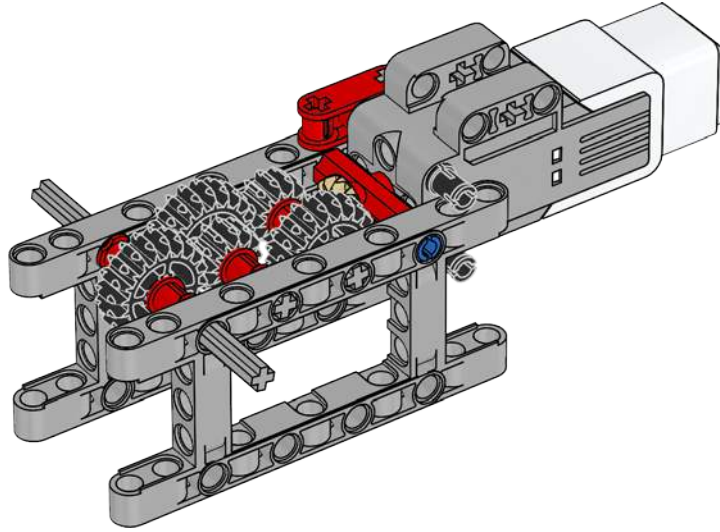


9

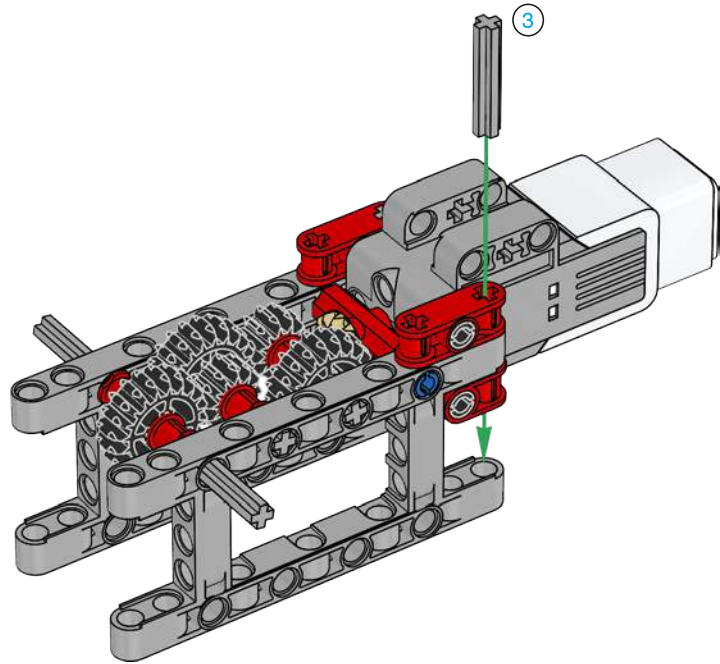


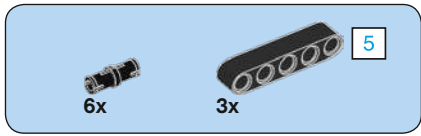


10

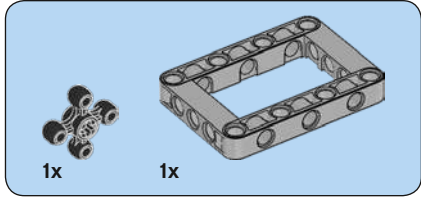
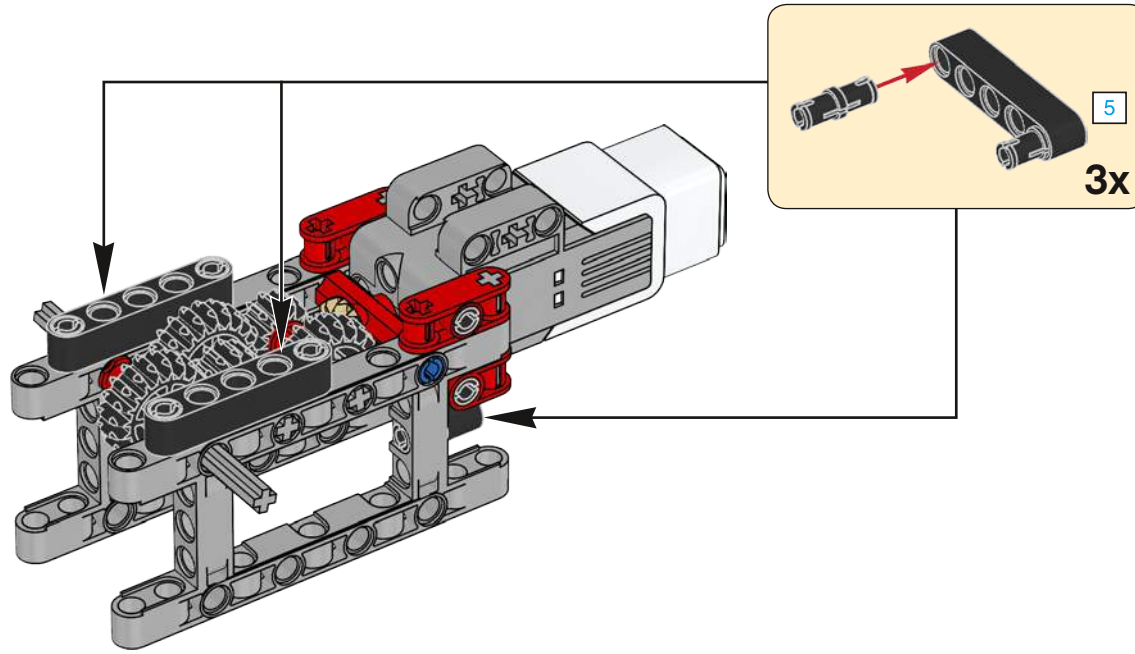


11

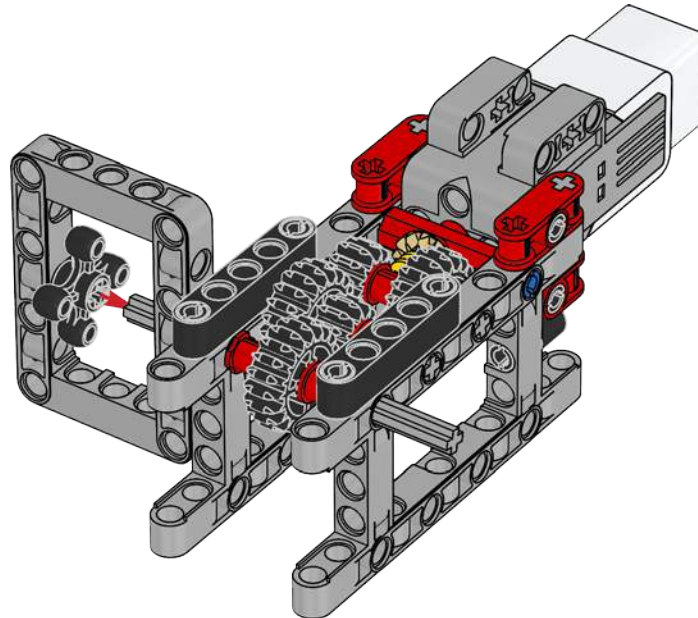


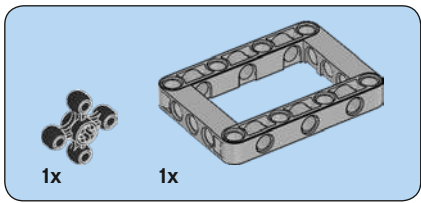


12

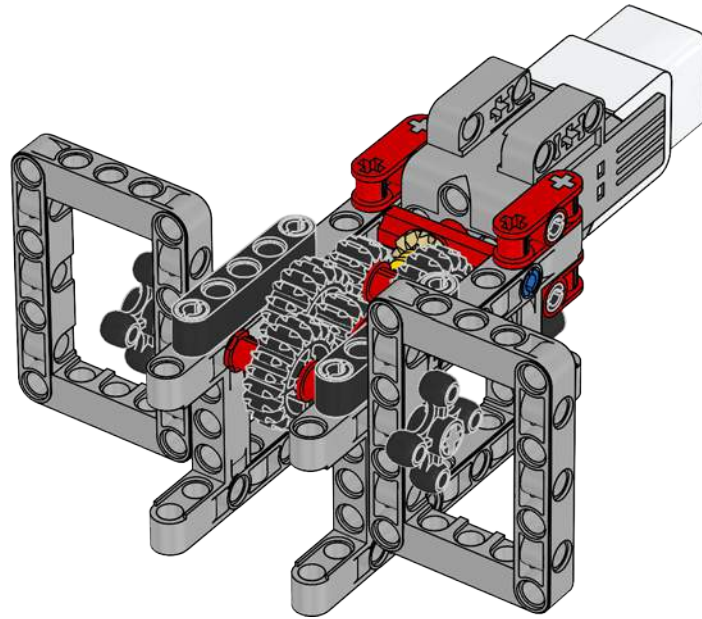


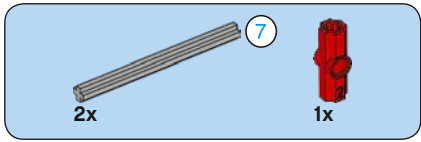
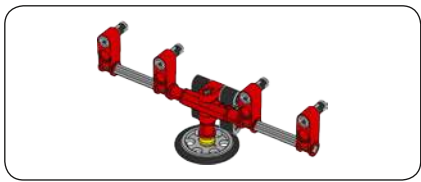
13



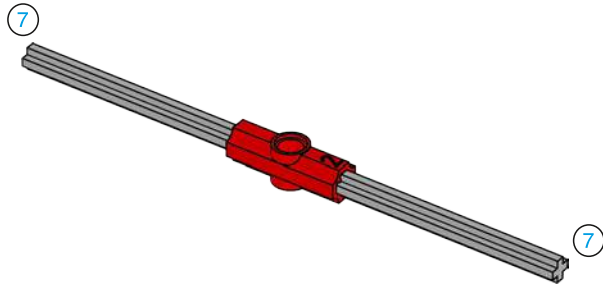


14

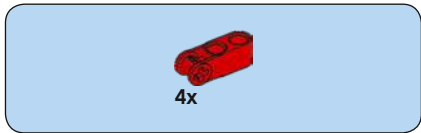
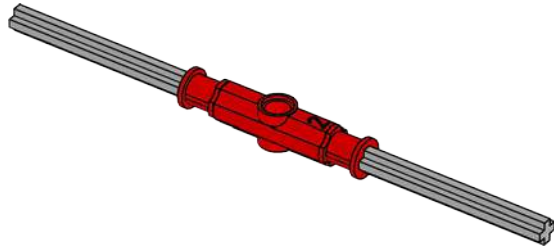




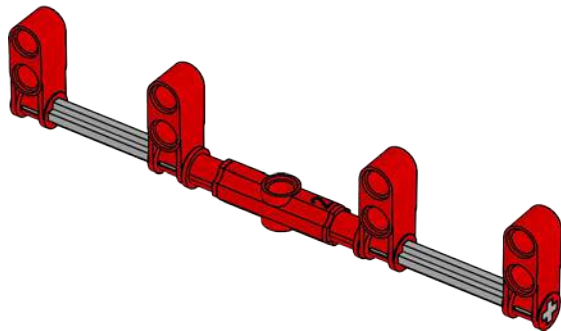
1

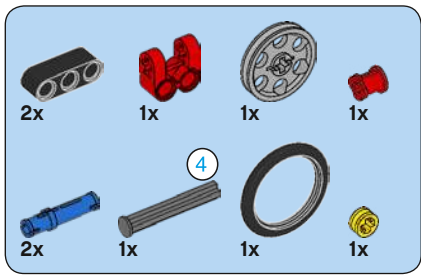


2

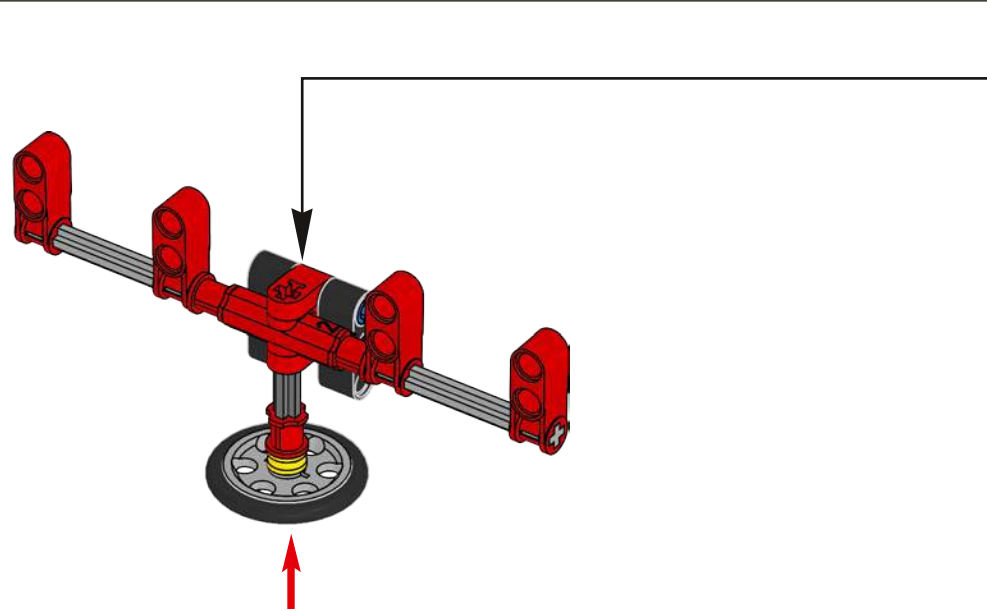
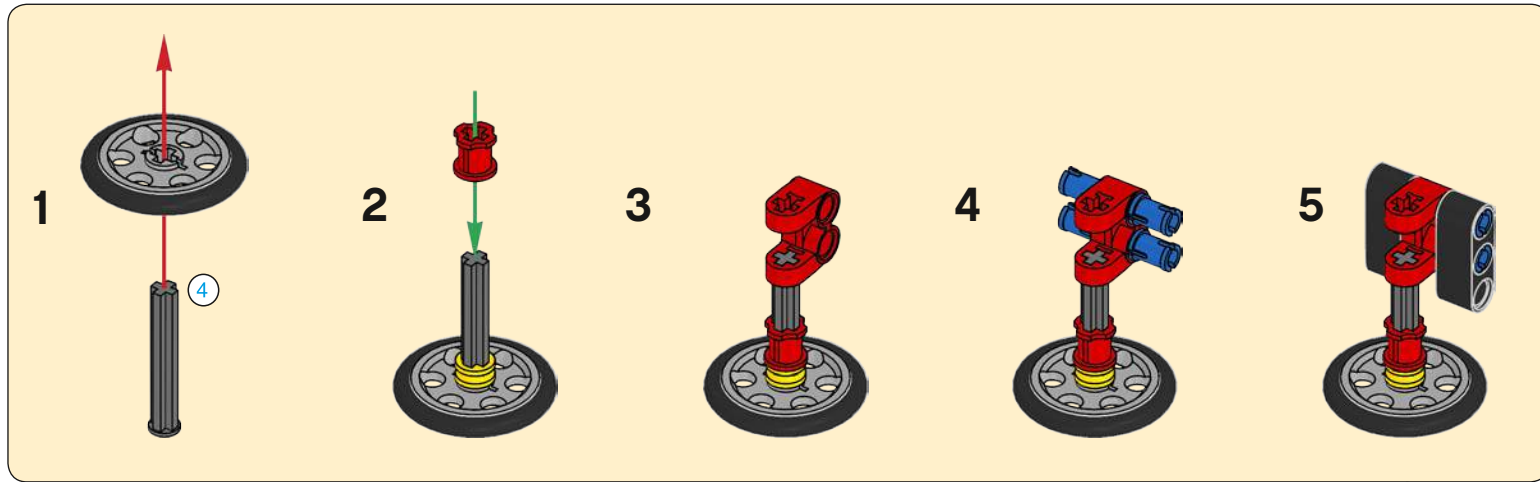


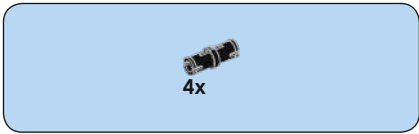
3



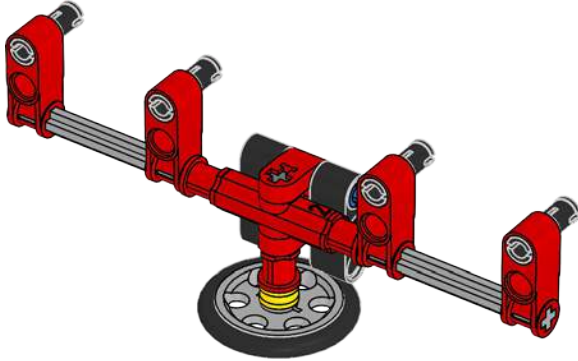


4

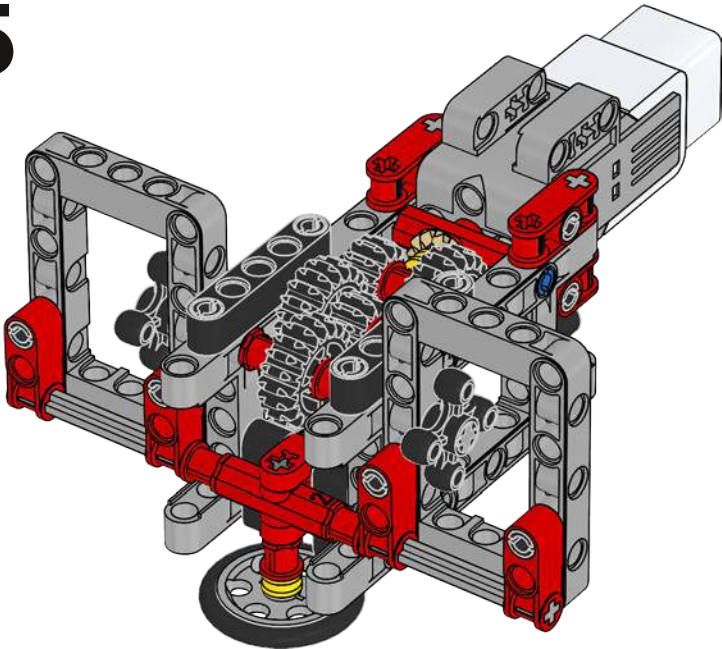


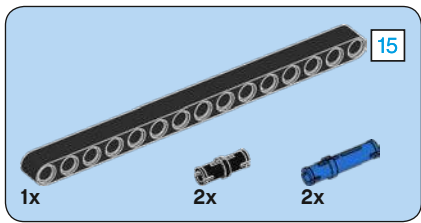


5

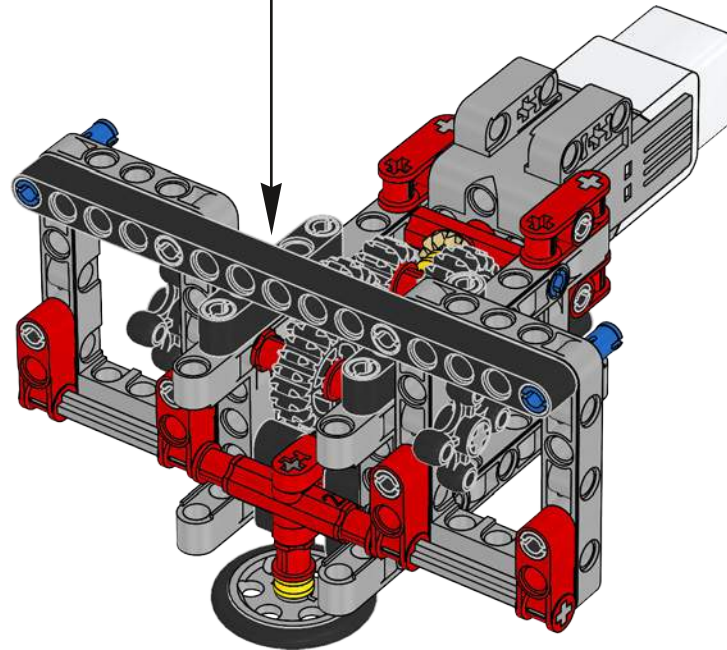
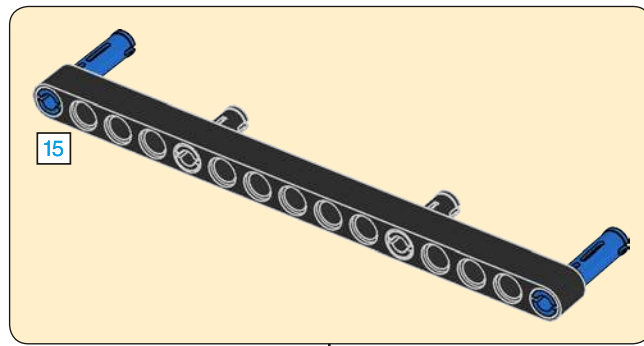


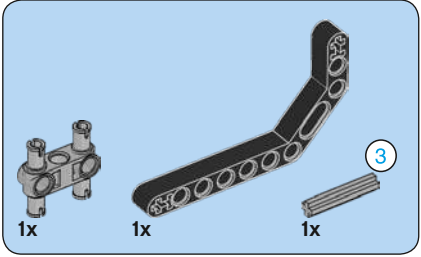
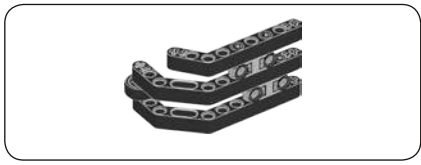
15



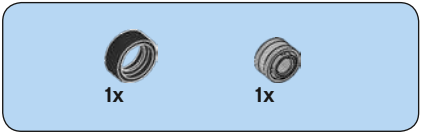
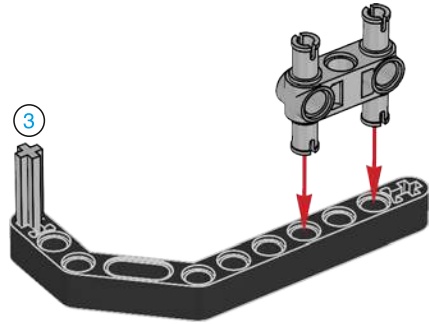


16

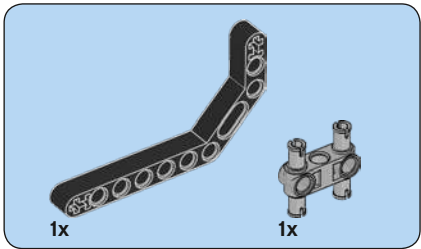
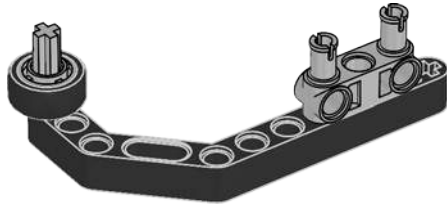




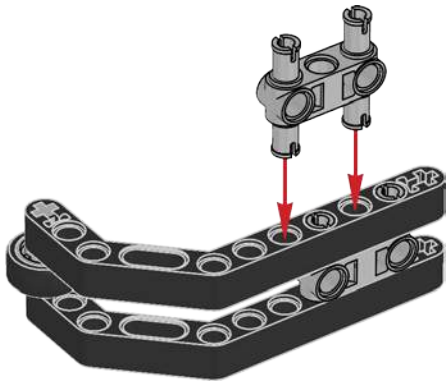
1

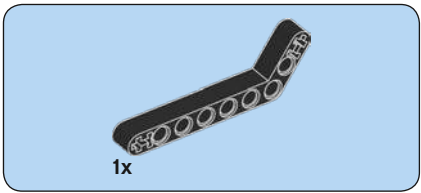


2

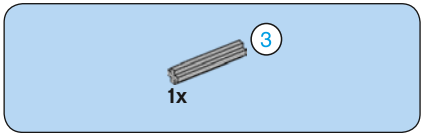


3

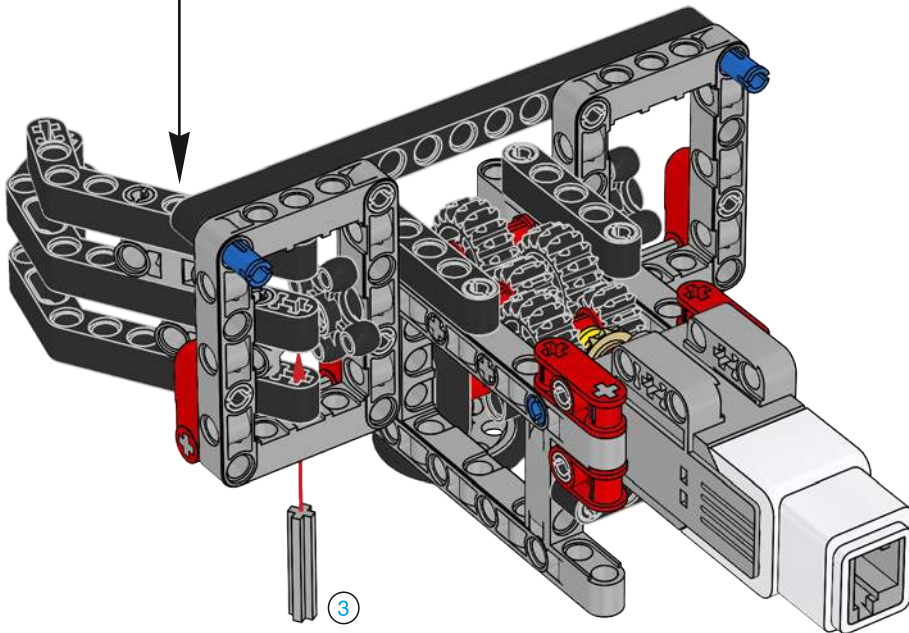


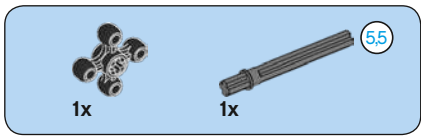


4

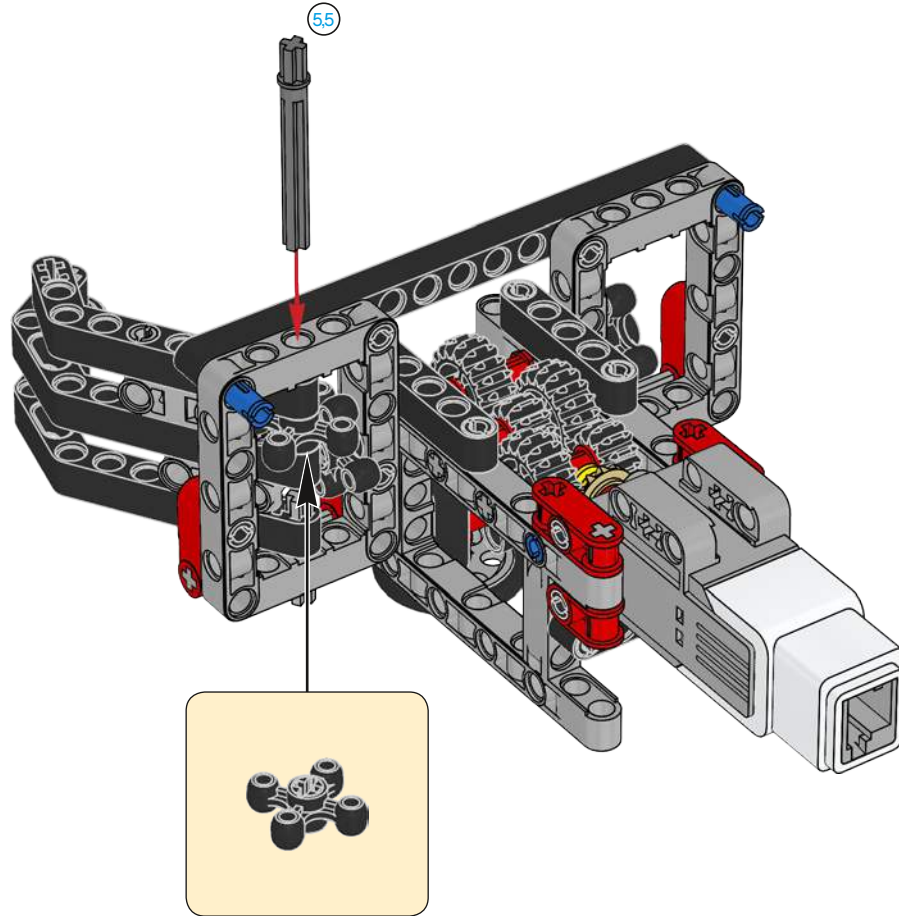


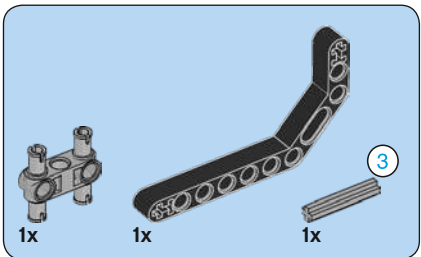
17



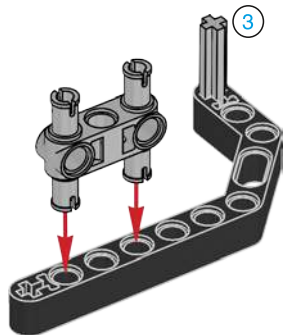


18

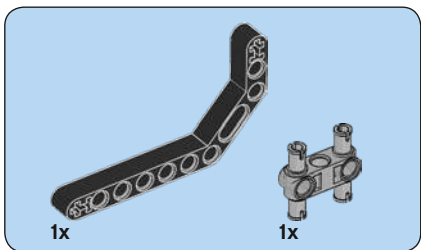
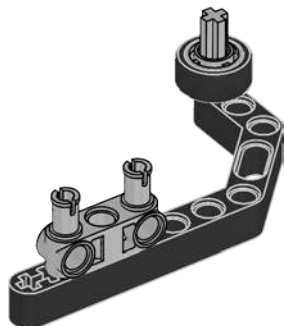




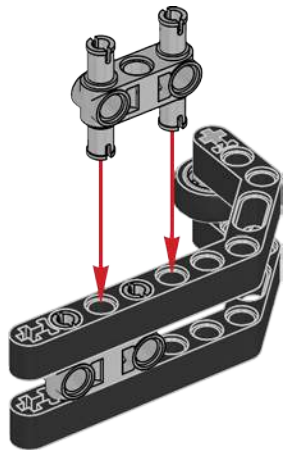
1

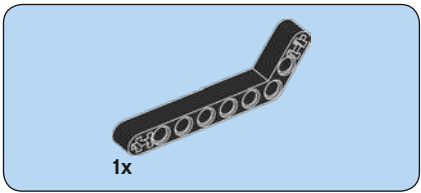


2

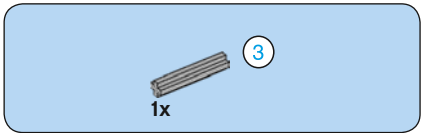
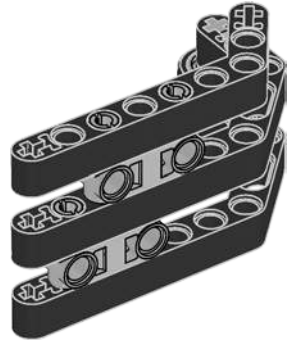


3

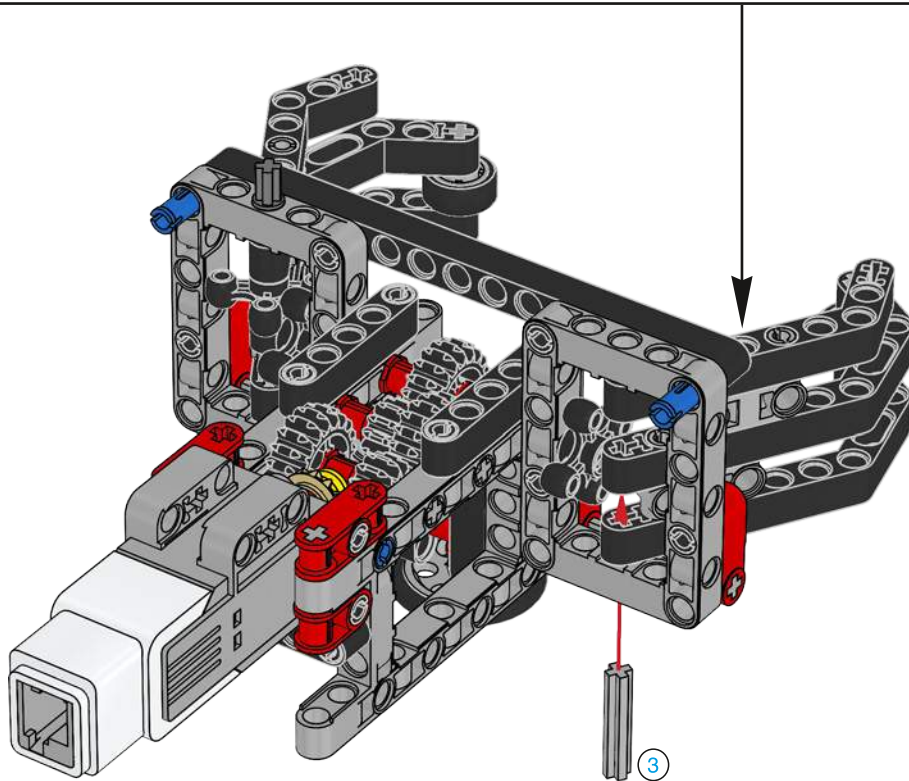


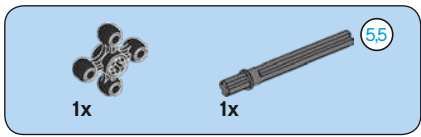


4

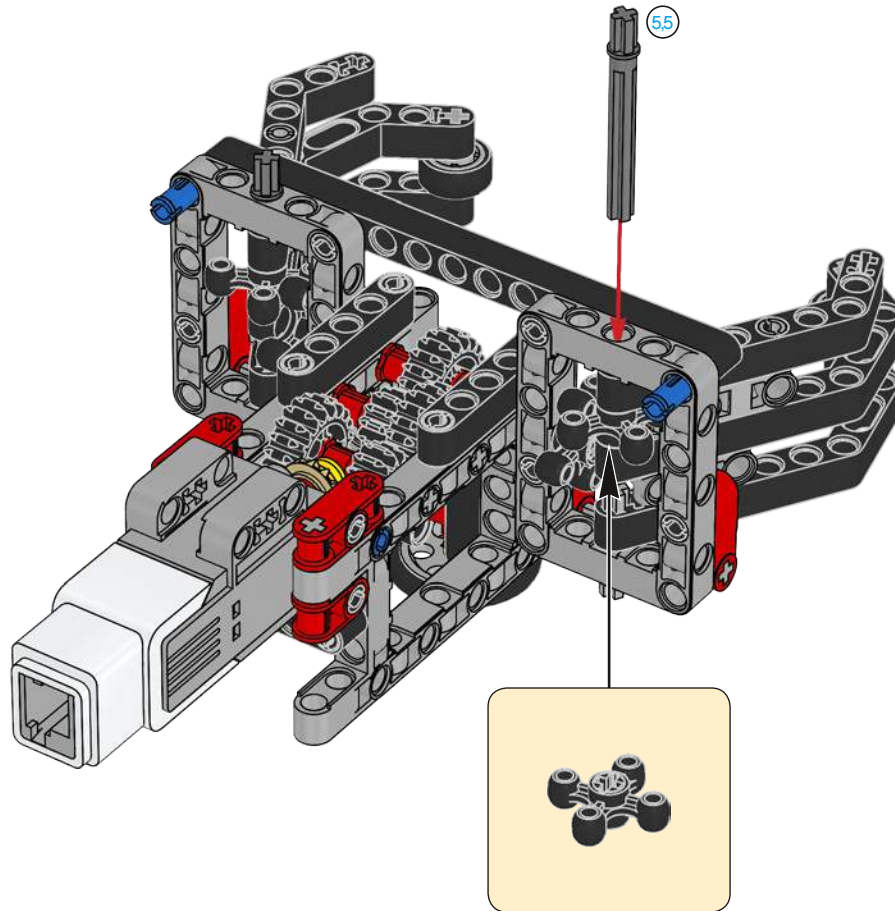


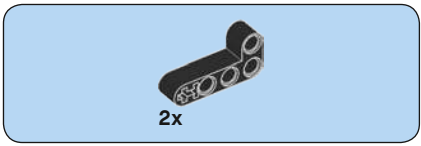
19



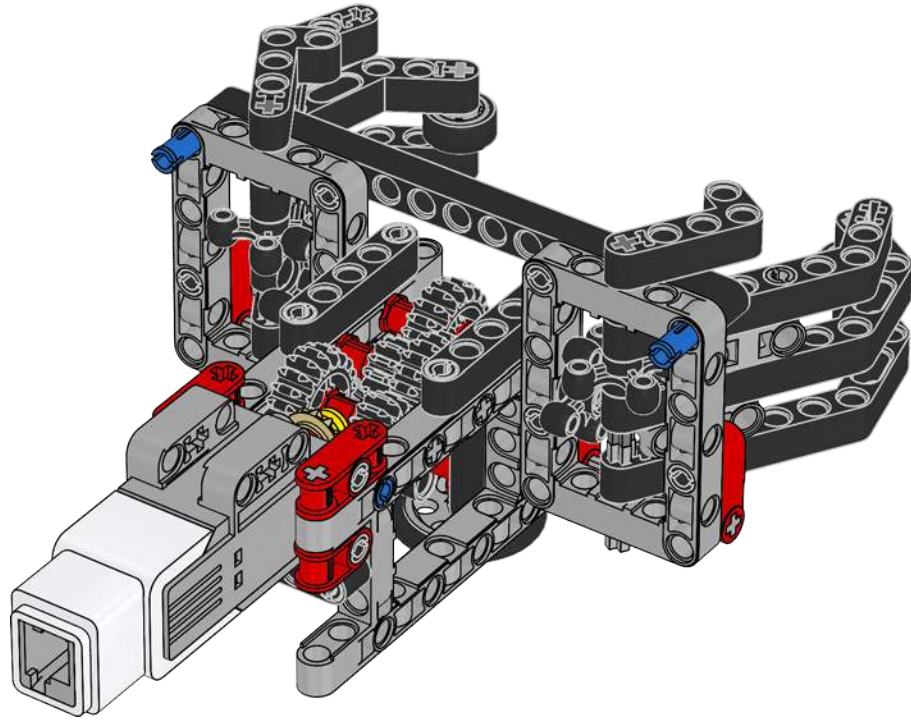


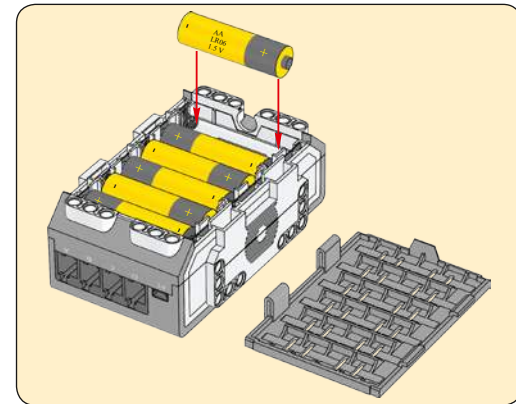
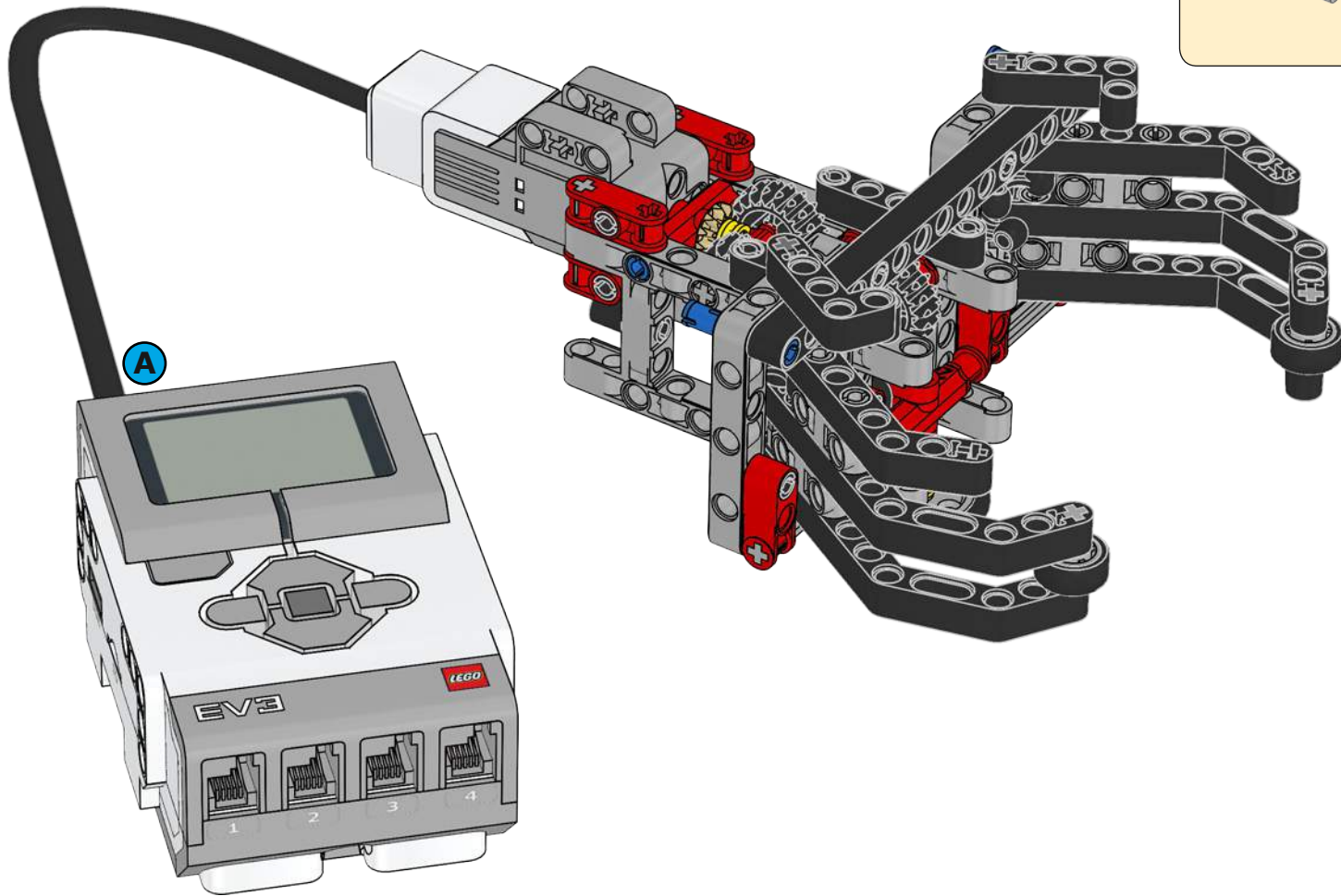
20





21





AA
LR06
1.5V
x6



MISSION 01

Download on the
App Store

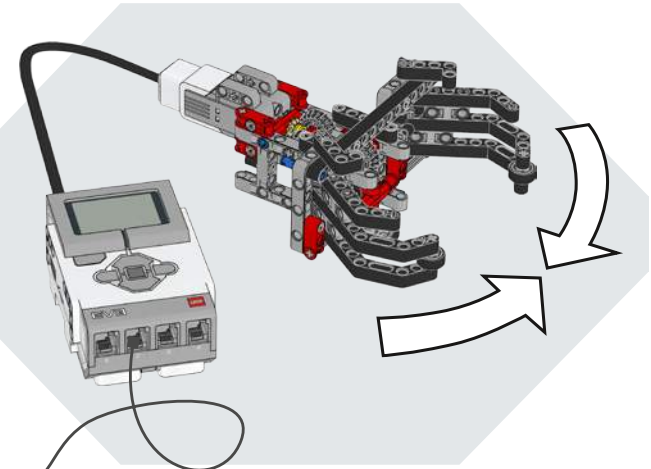
GET IT ON
Google play



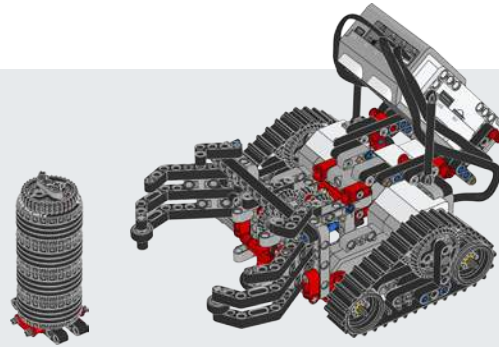
LEGO® MINDSTORMS®
EV3 Programmer
The LEGO Group

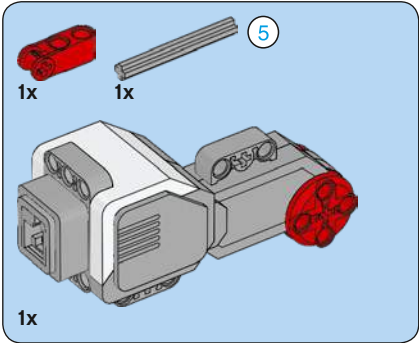
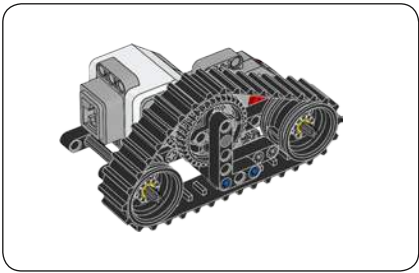


 LEGO.com/mindstorms/software

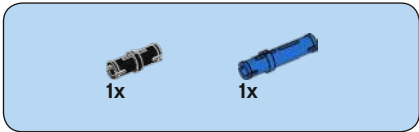
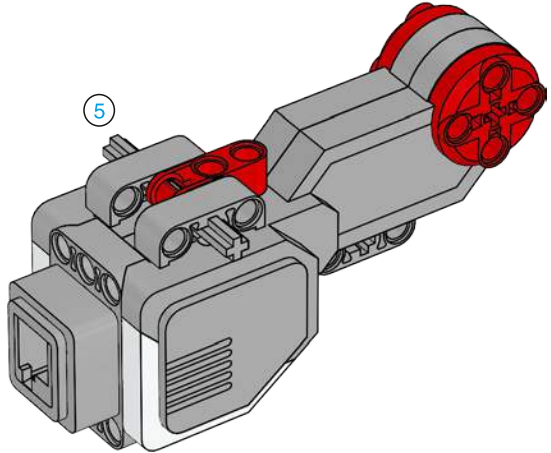


MISSION 02

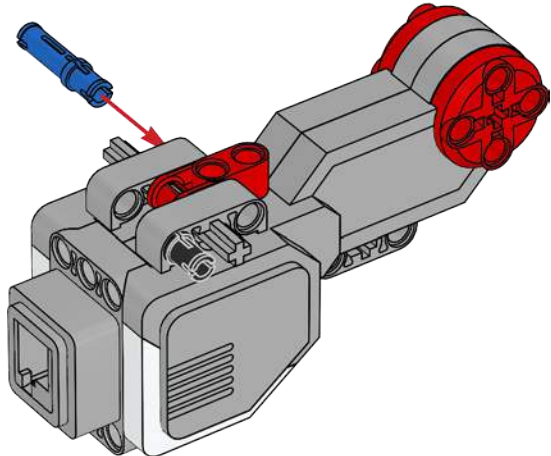


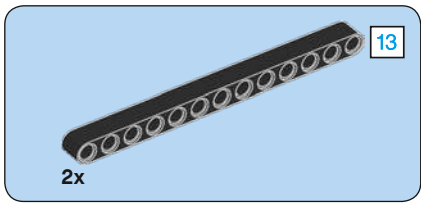


1

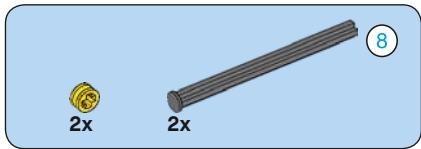
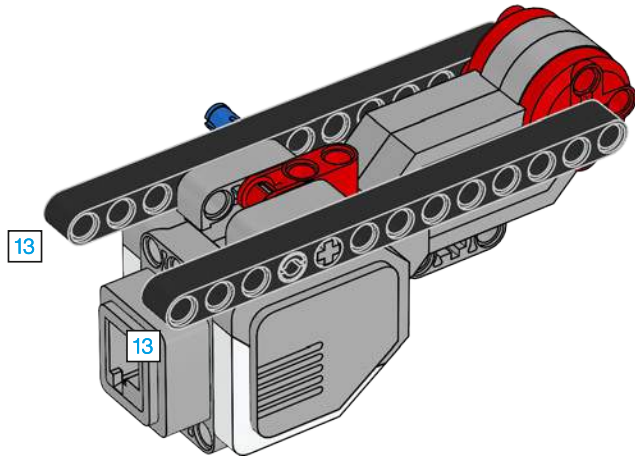


2

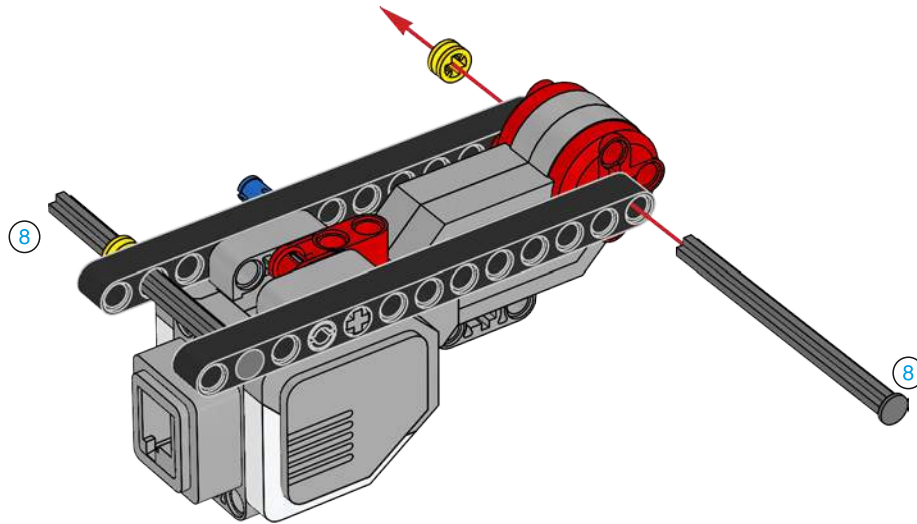


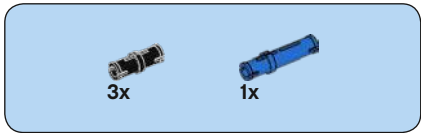


3

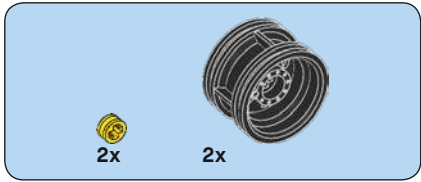
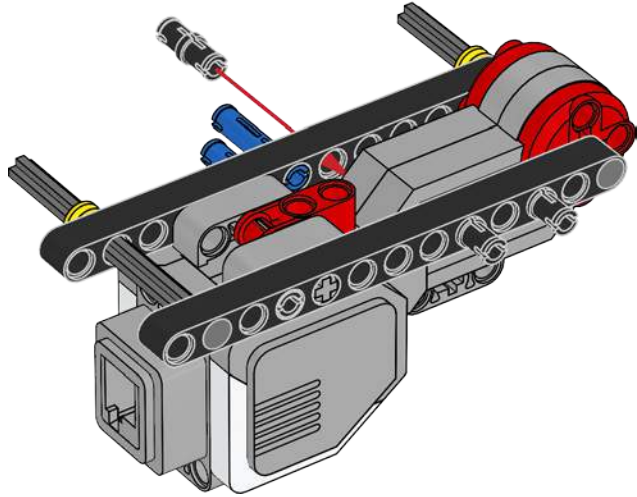


4

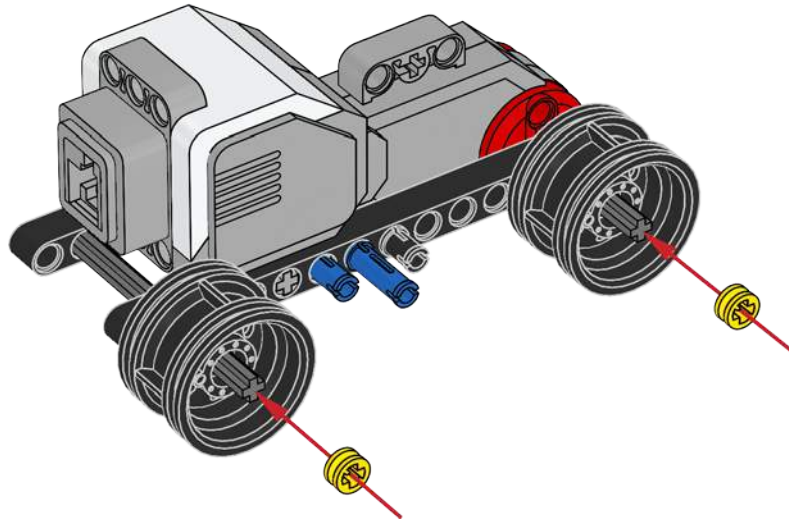


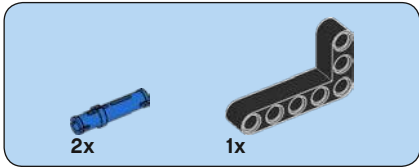
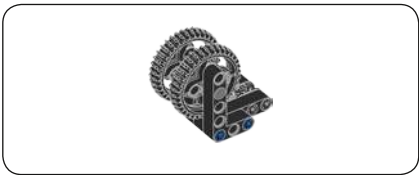


5

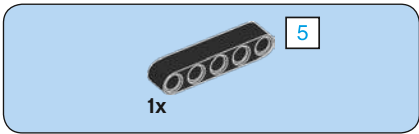
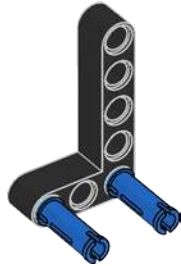


6

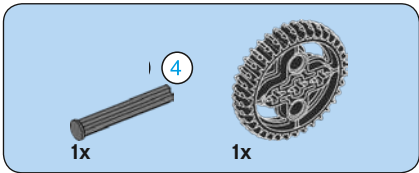
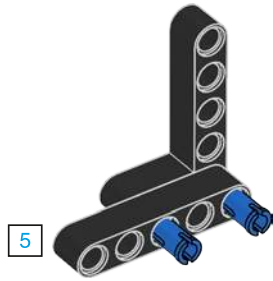




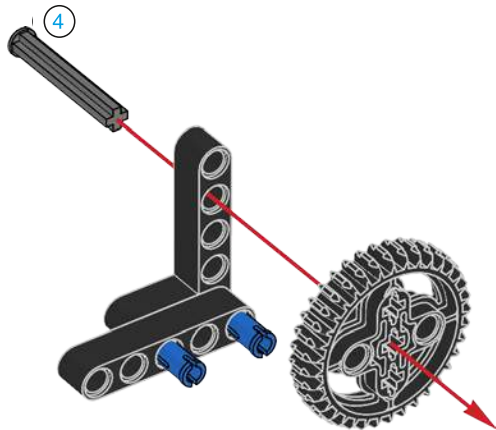
1

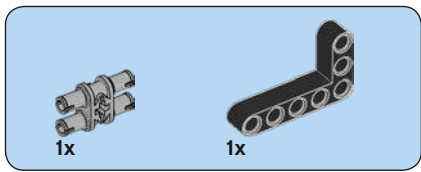


2

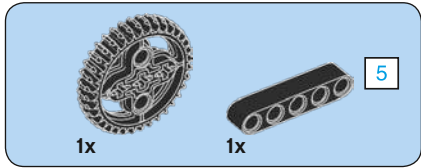
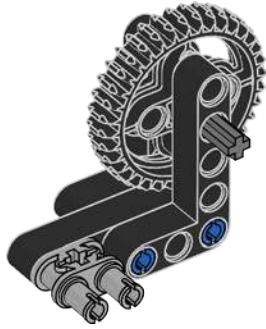


3





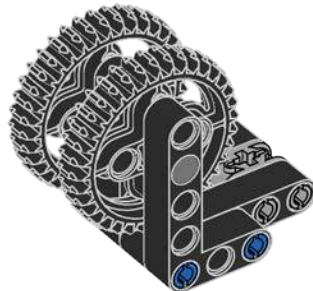
4



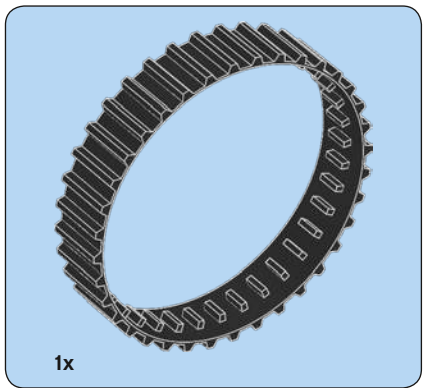
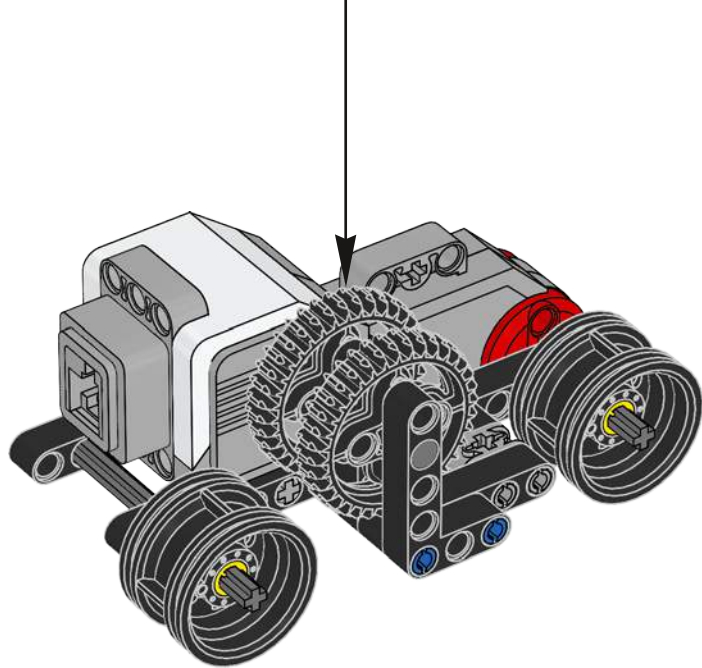
5



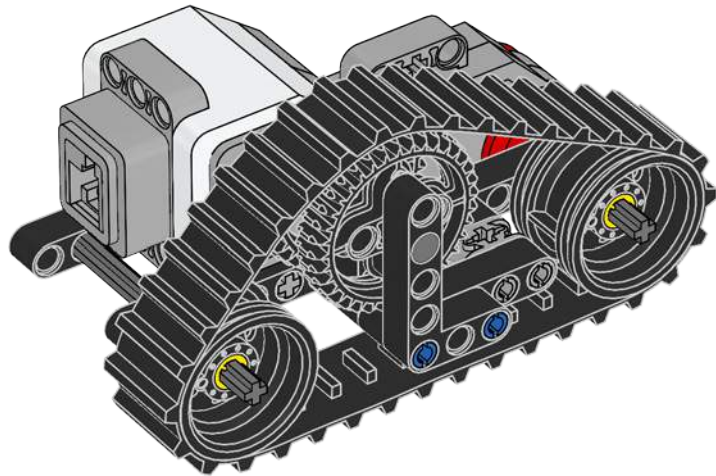
6



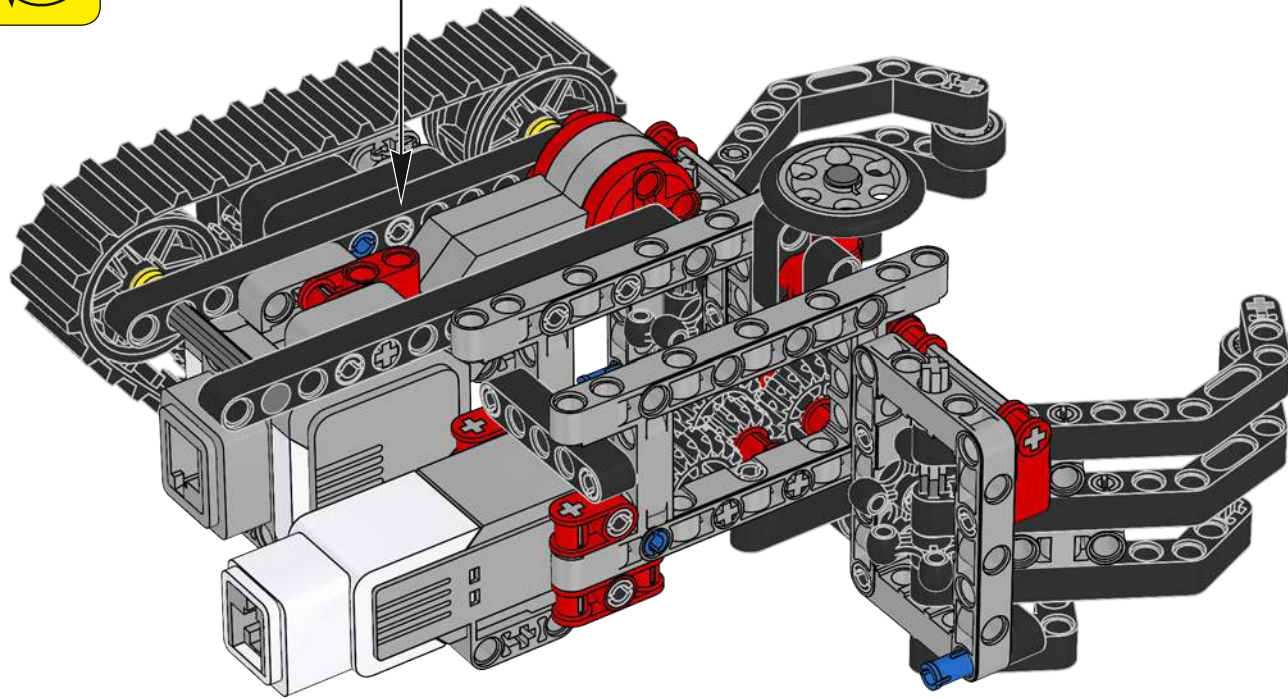
7

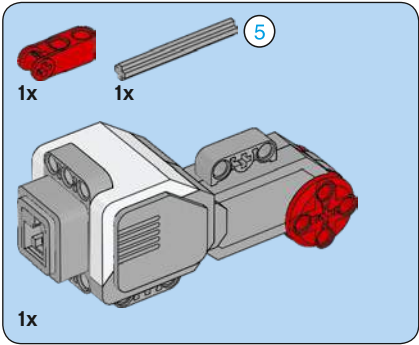
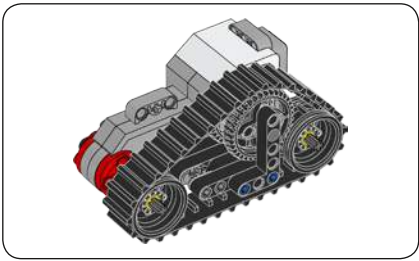


8

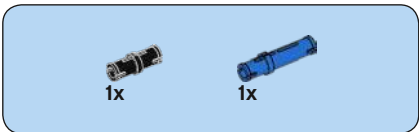
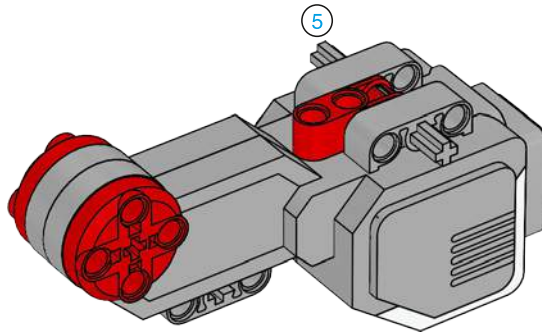


22

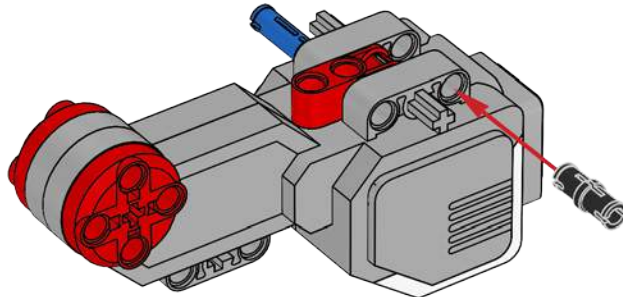


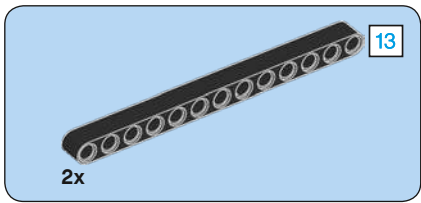


1

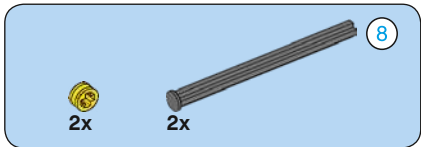
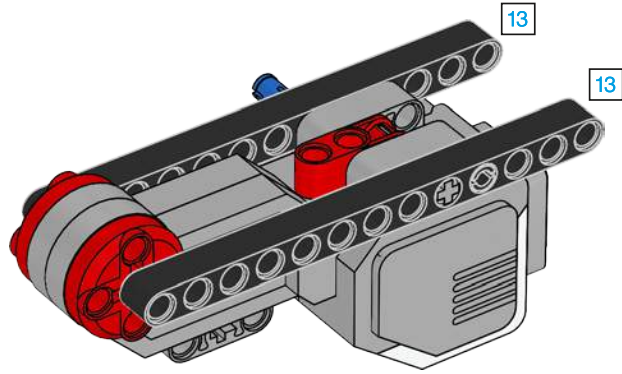


2

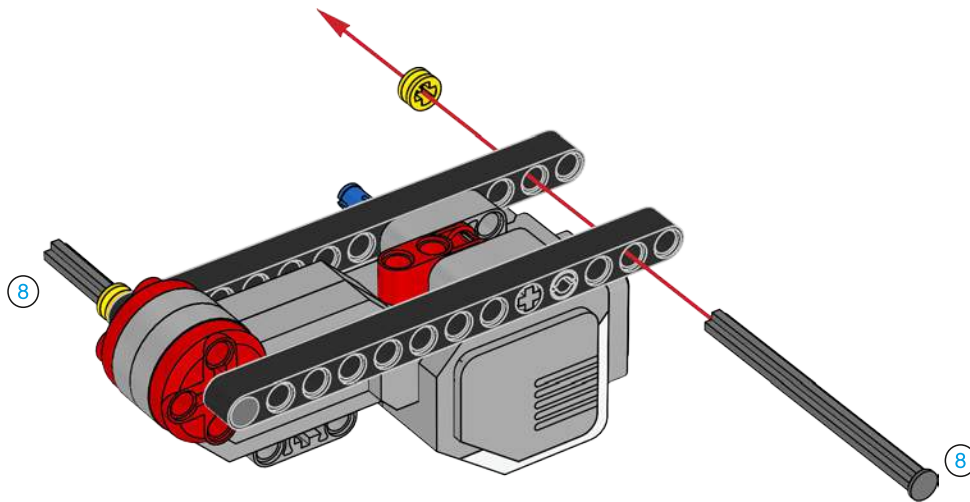


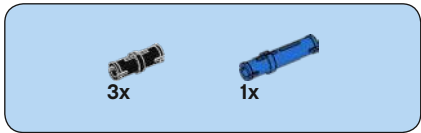


3

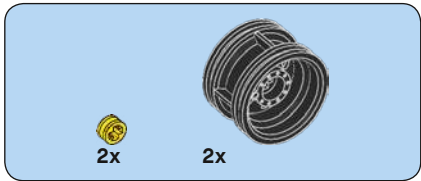
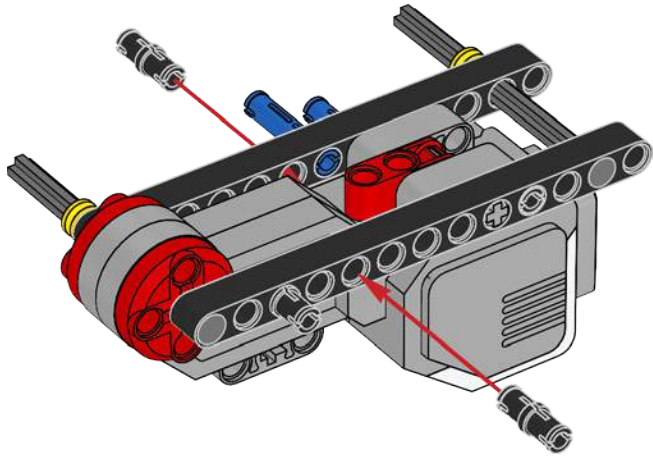


4

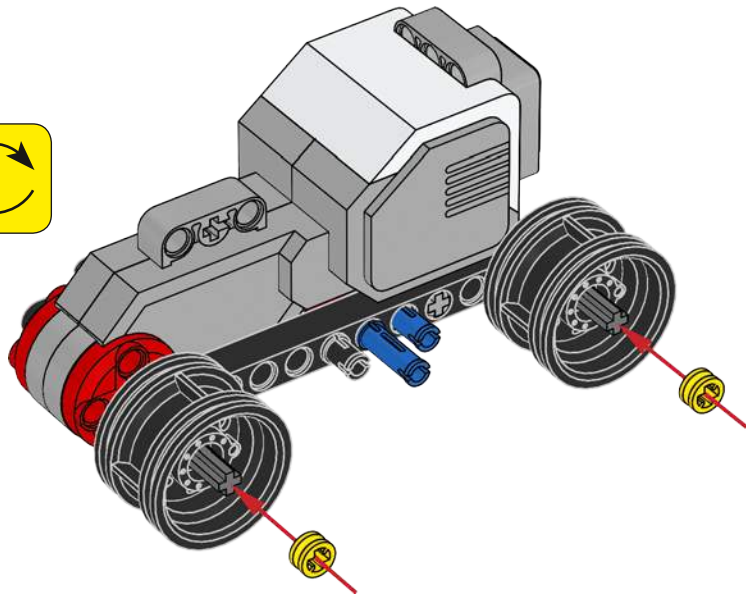


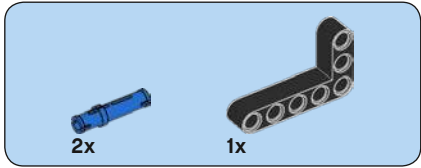
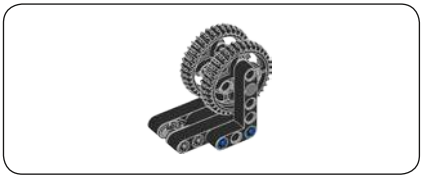


5

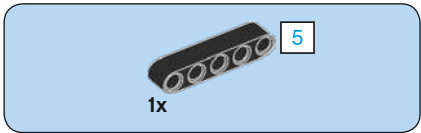
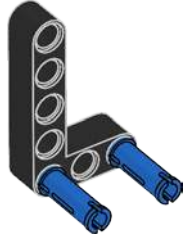


6

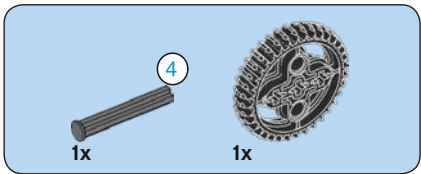
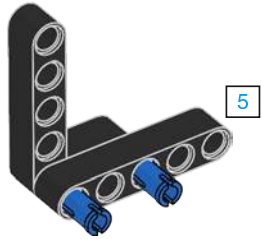




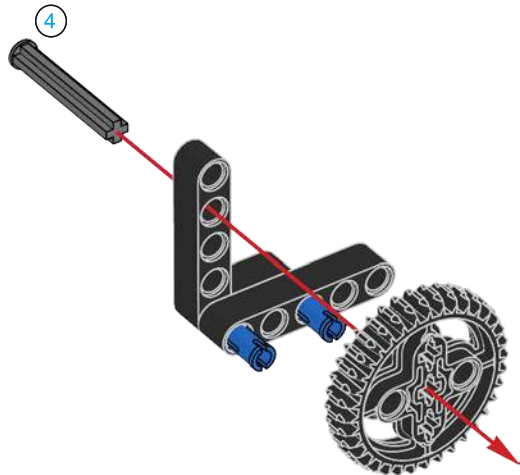
1

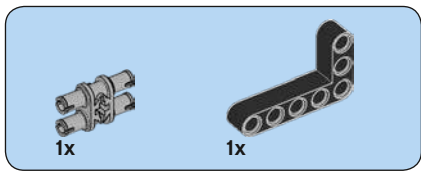


2

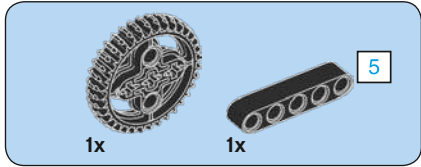
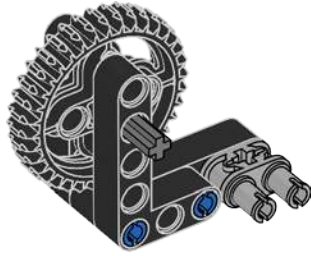


3





4



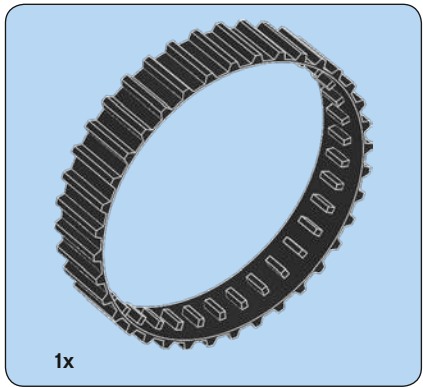
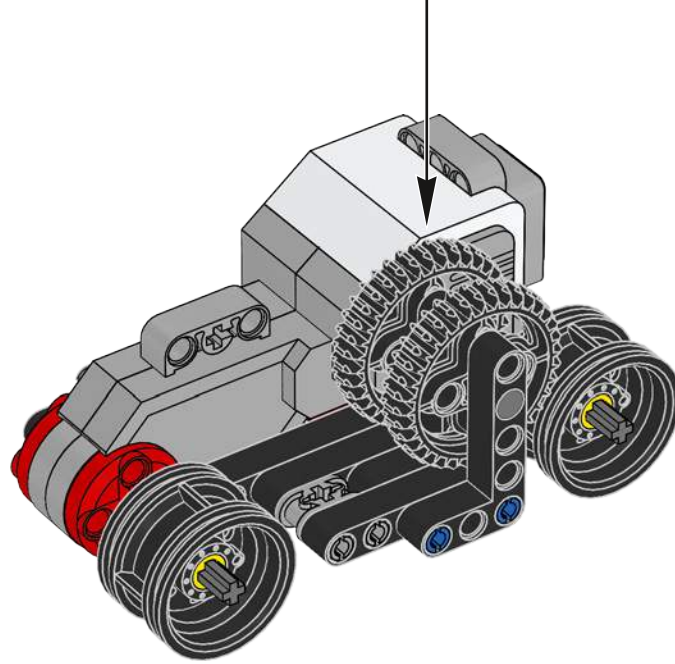
5



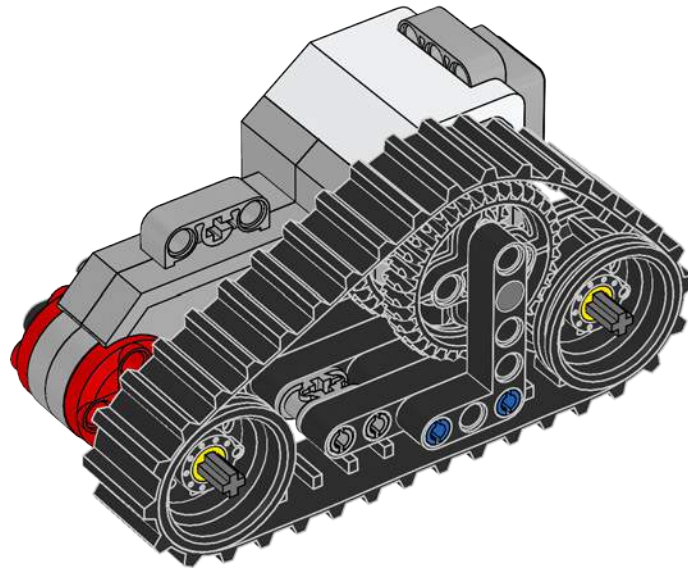
6



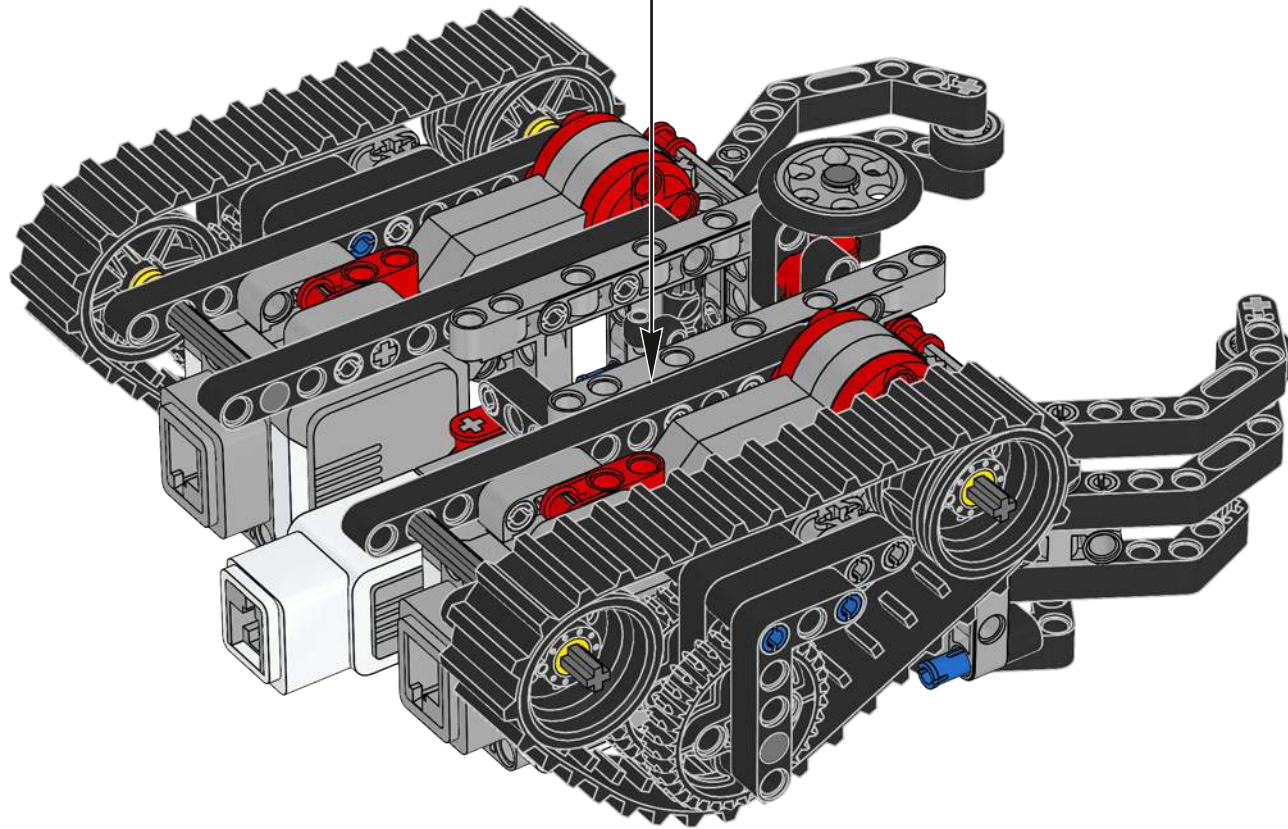
7

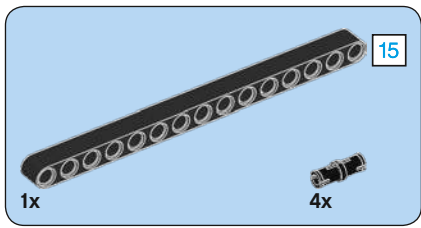


8

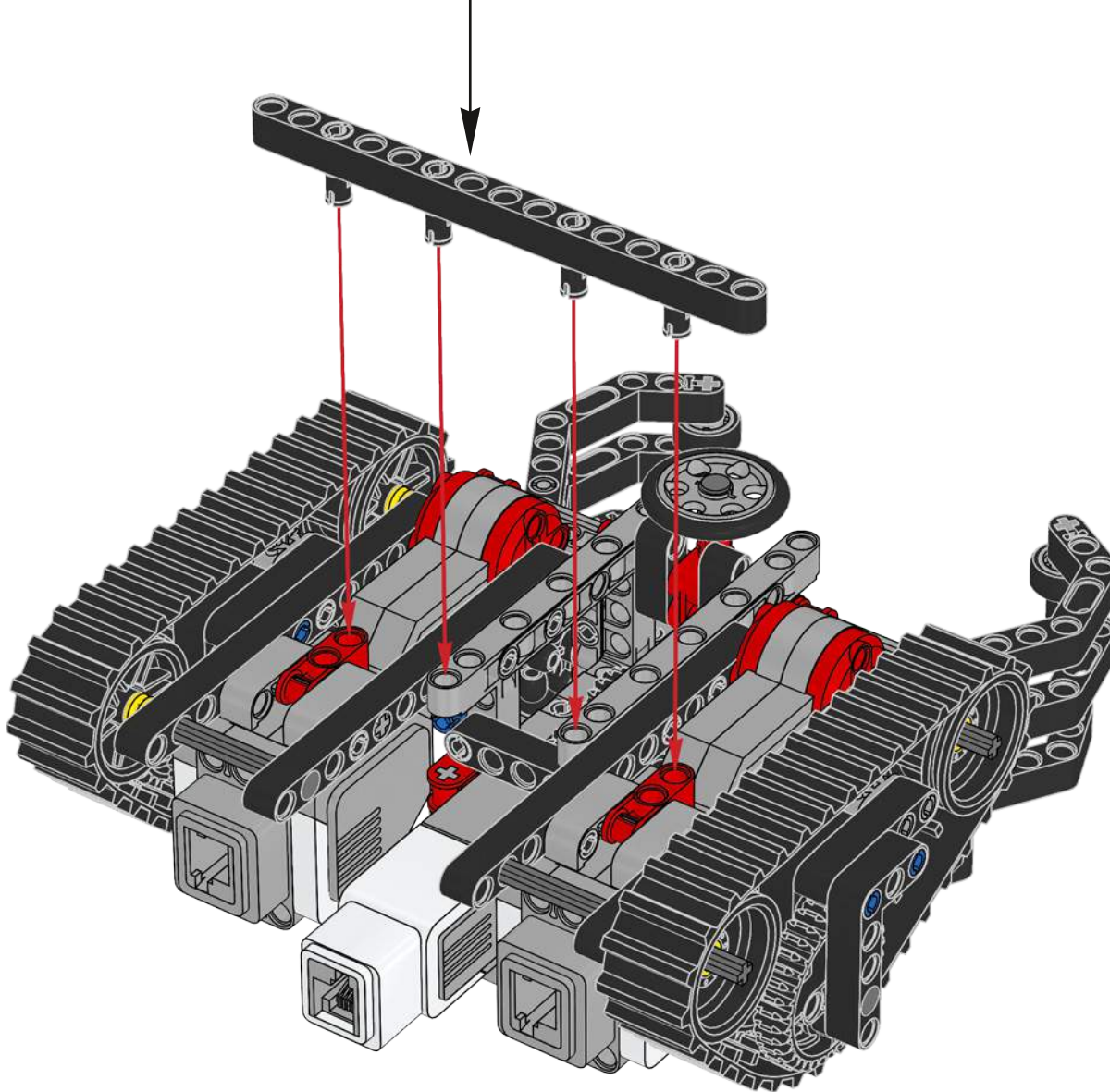
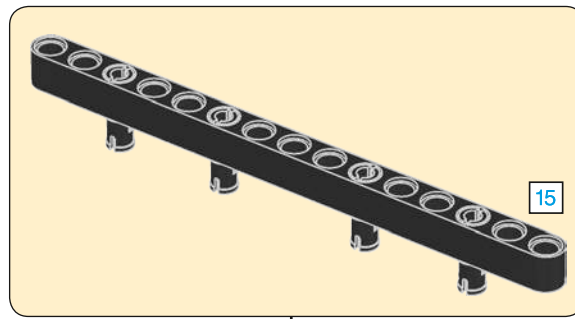


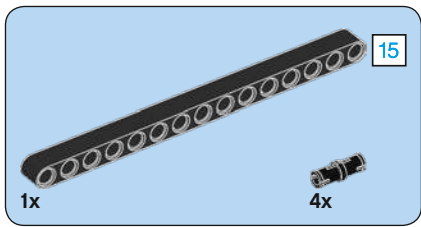
23



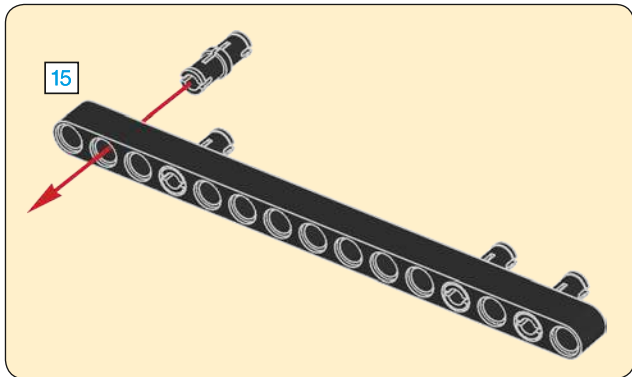
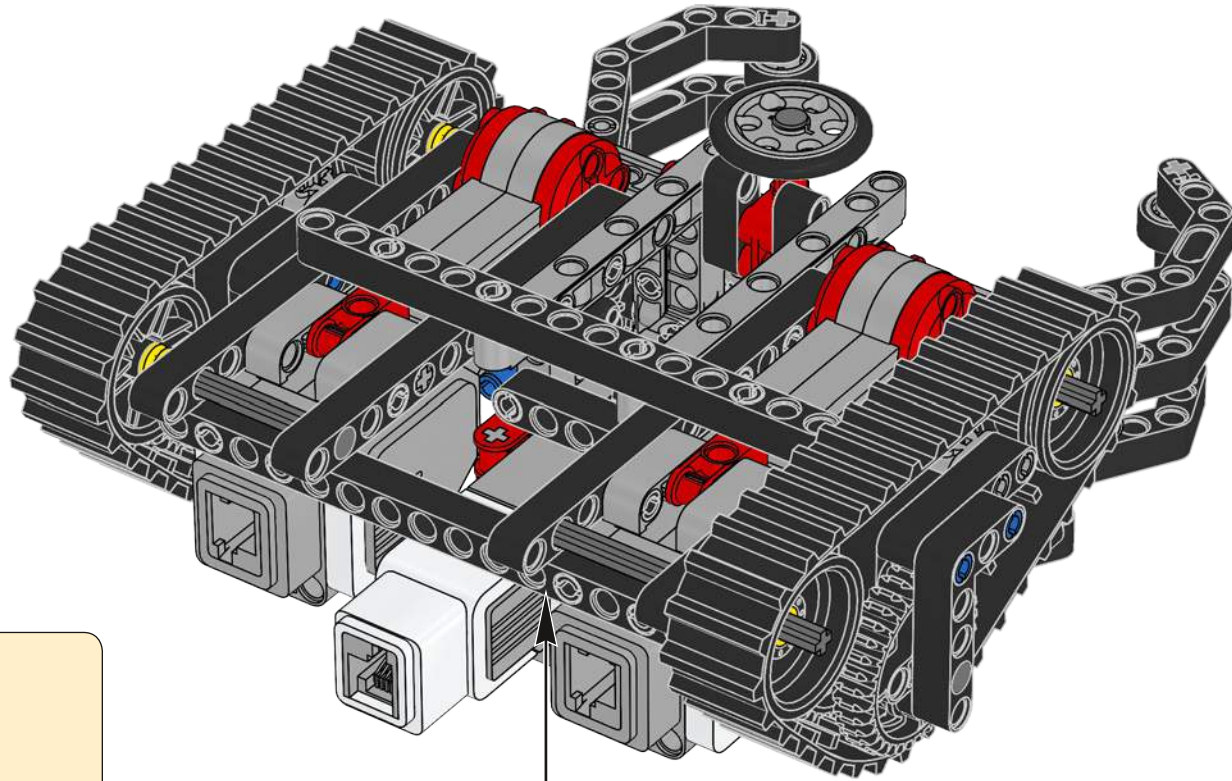


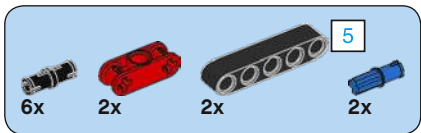
24



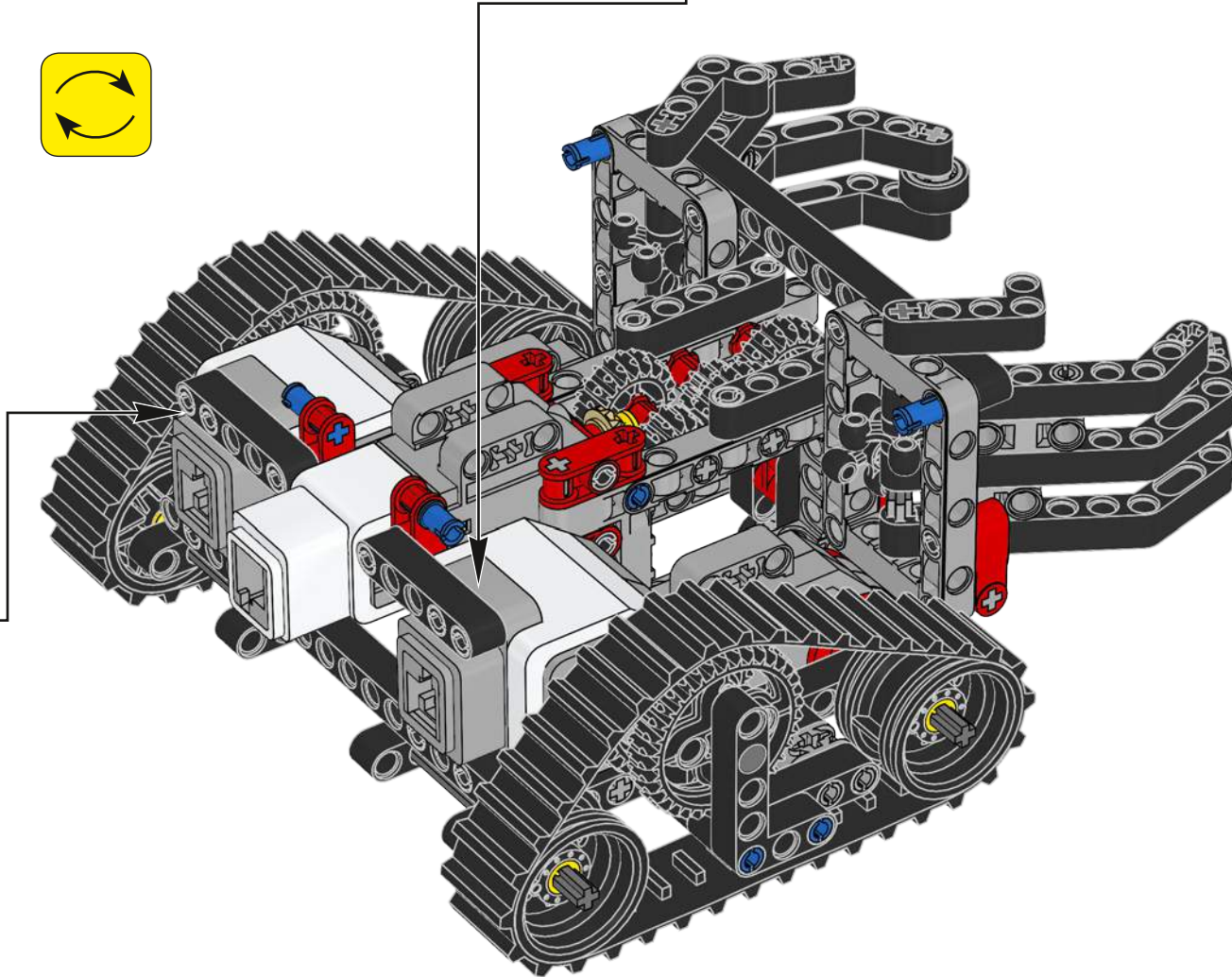
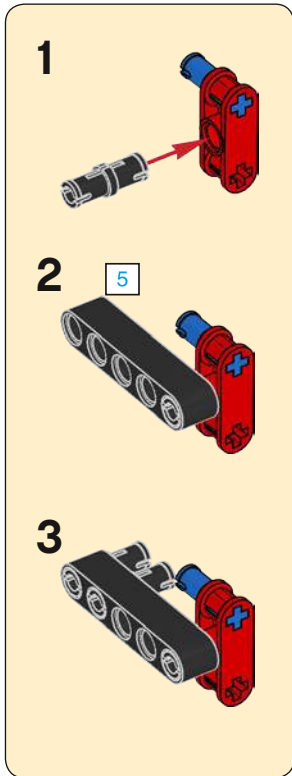
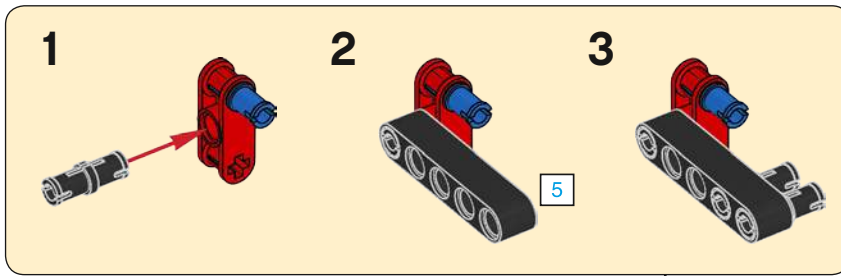


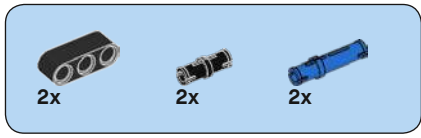
25



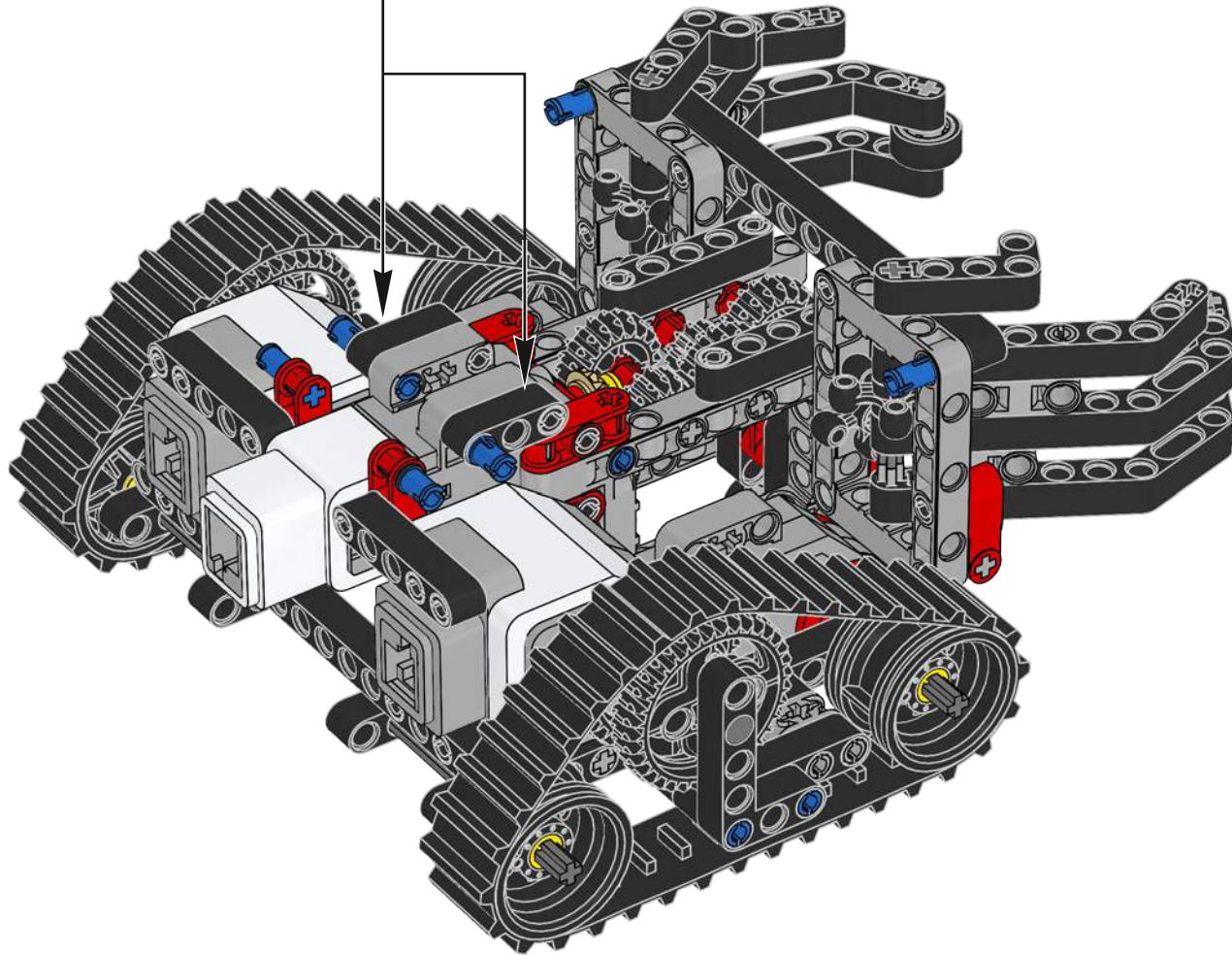
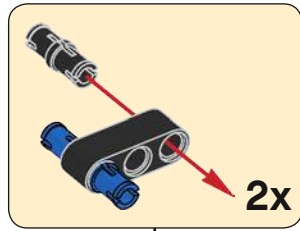


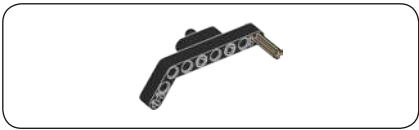
26



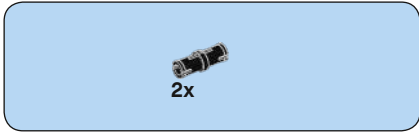
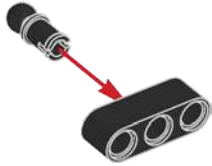


27





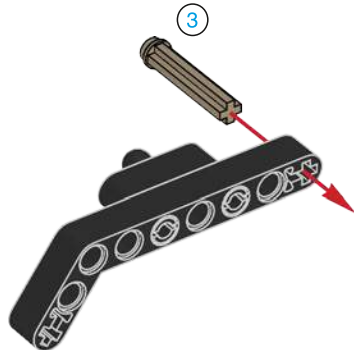
1



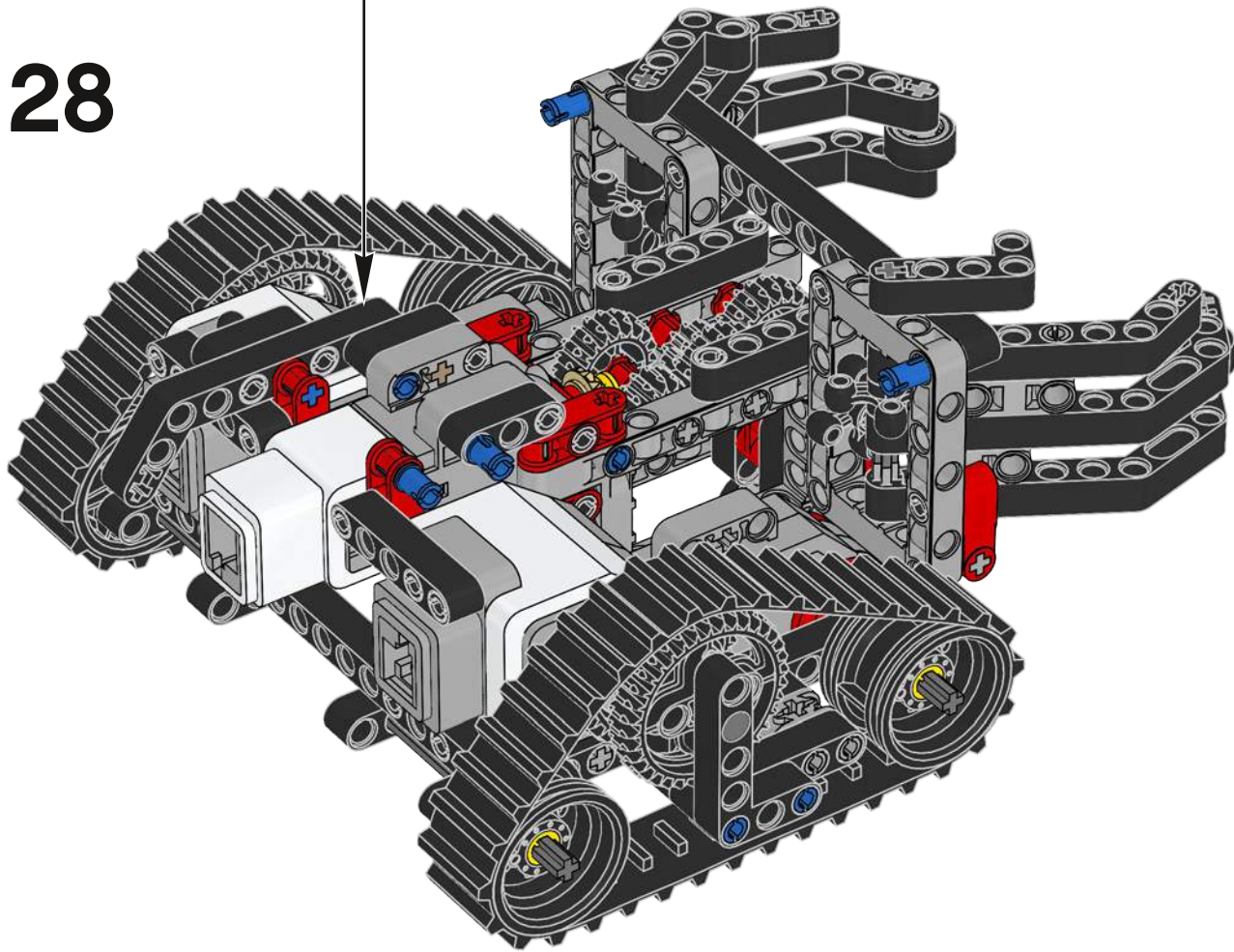
2



3

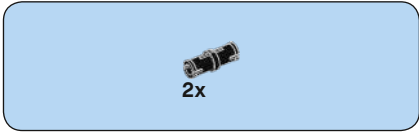


28





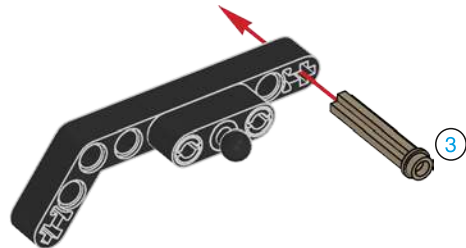
3



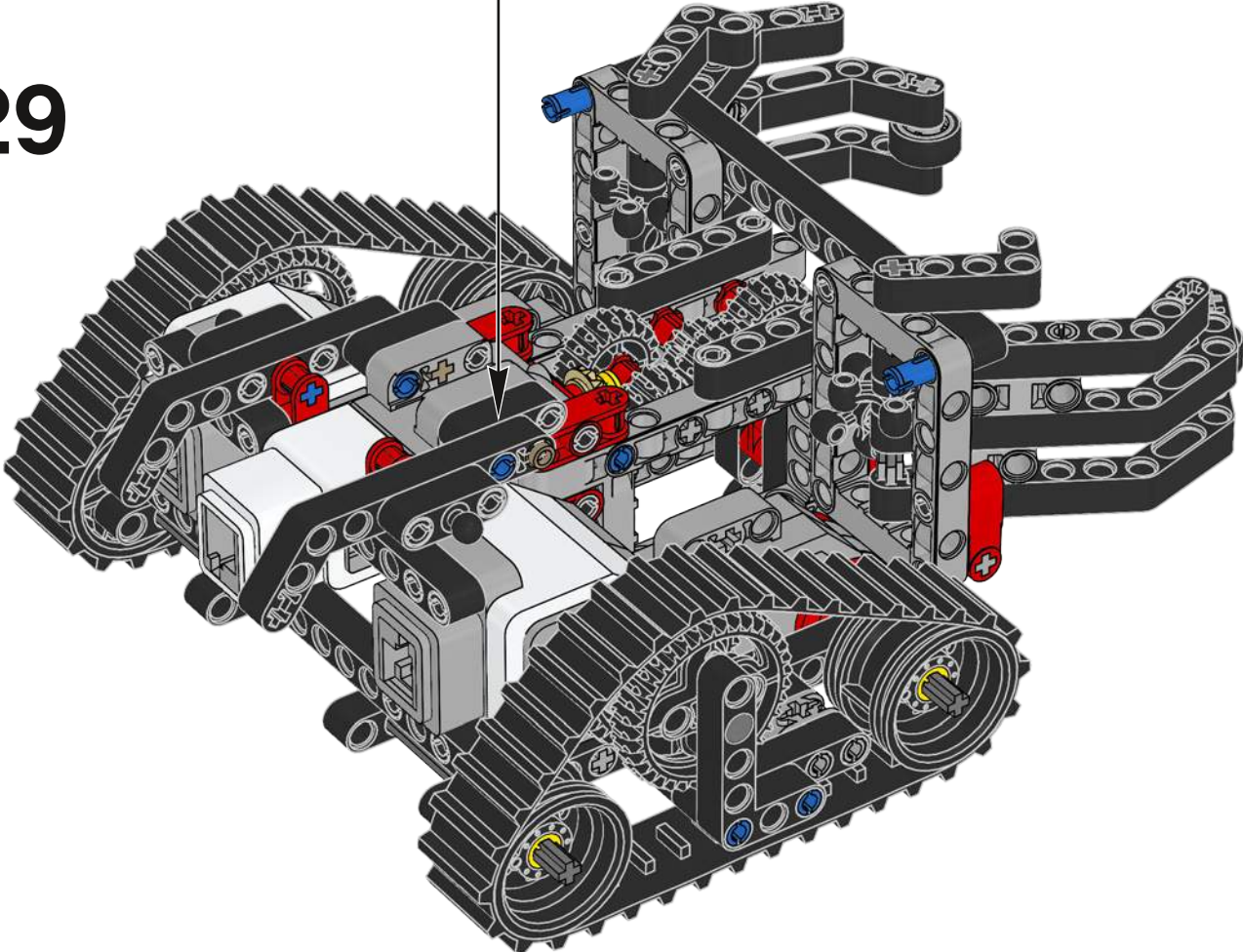
2



1

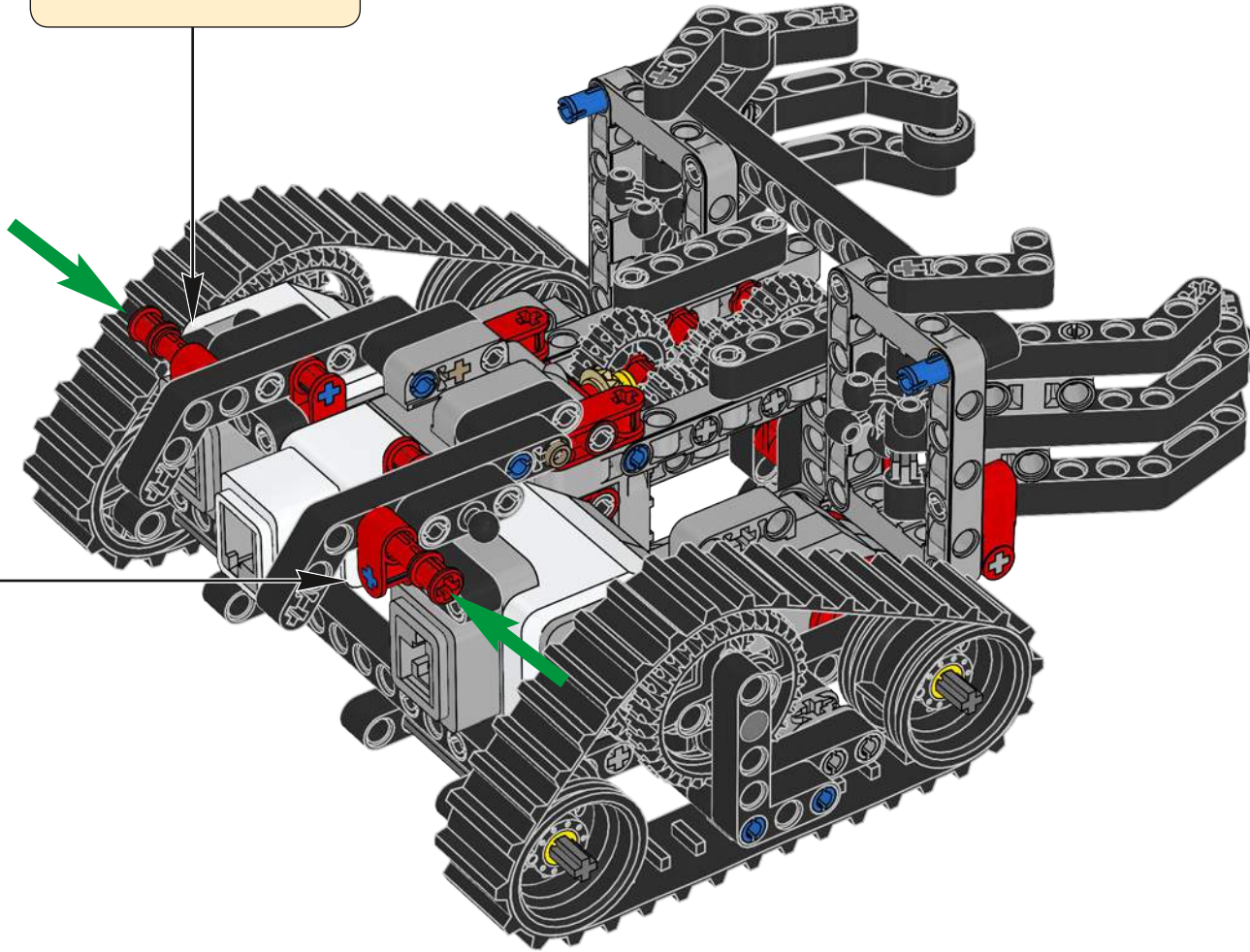
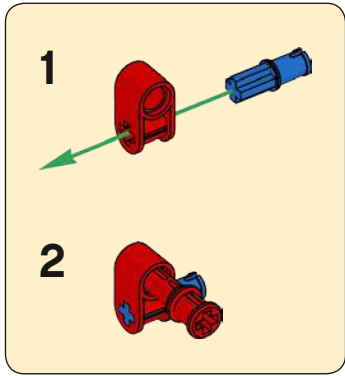
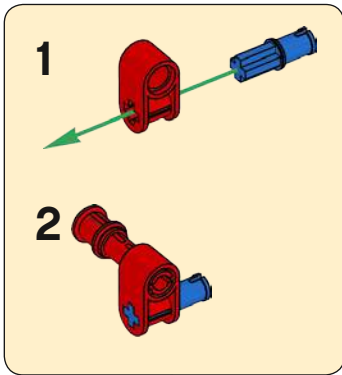


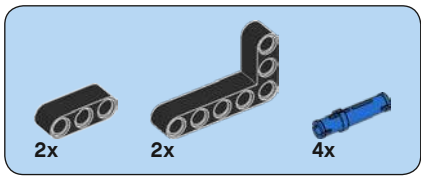
29



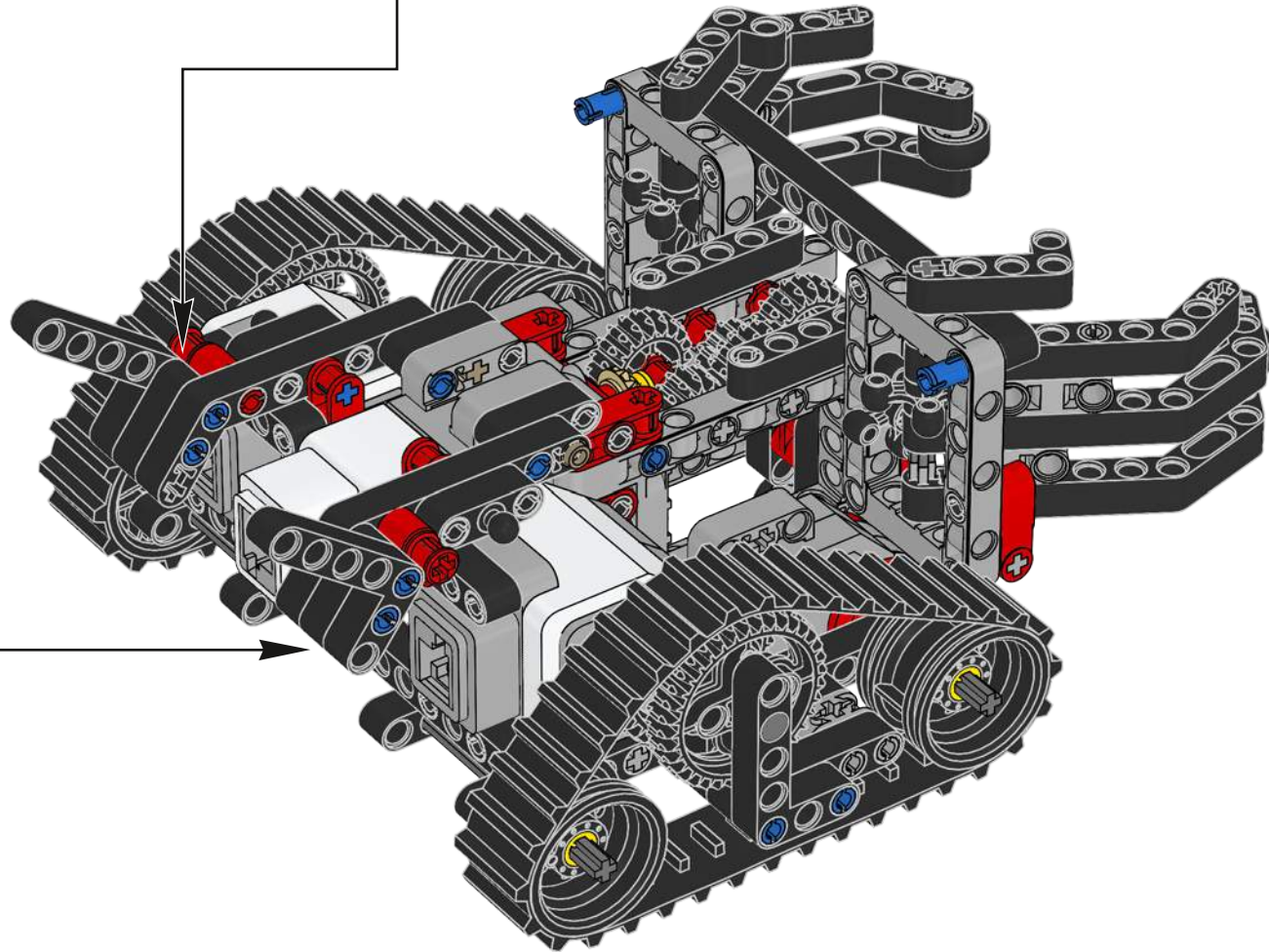
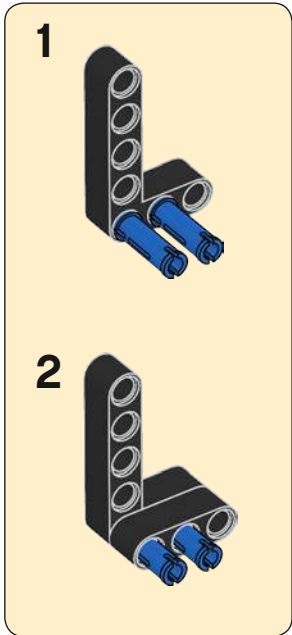
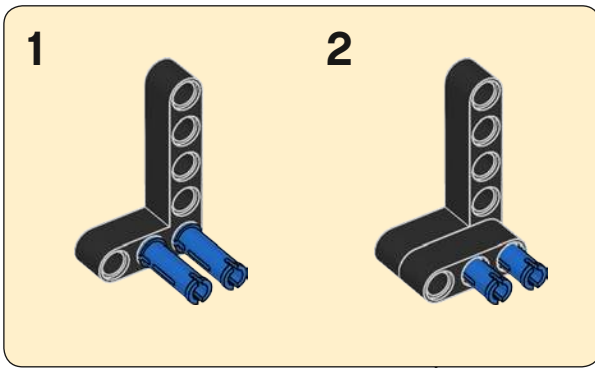


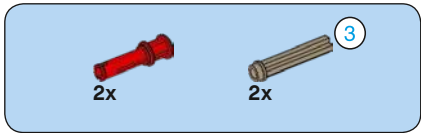
30



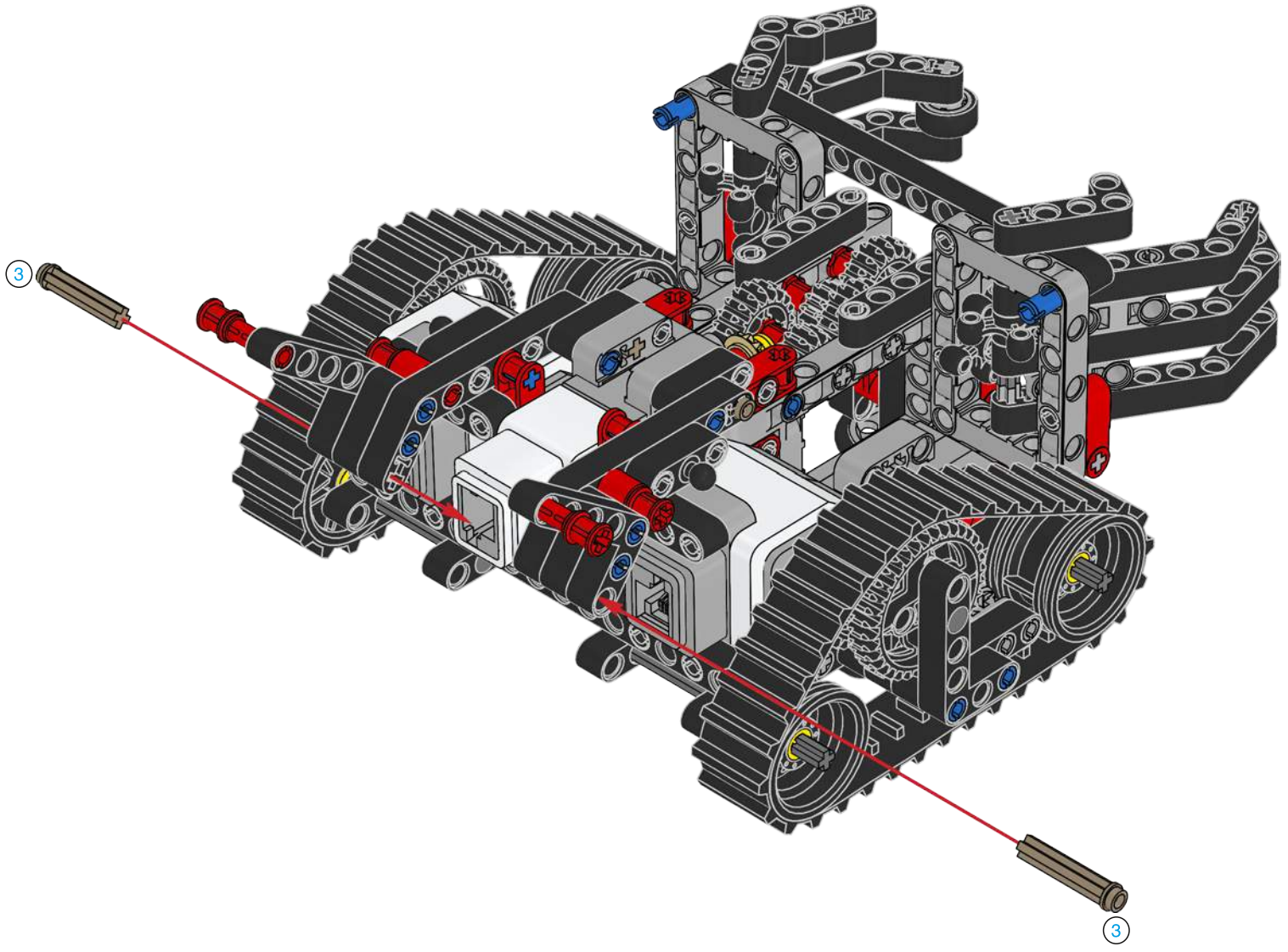


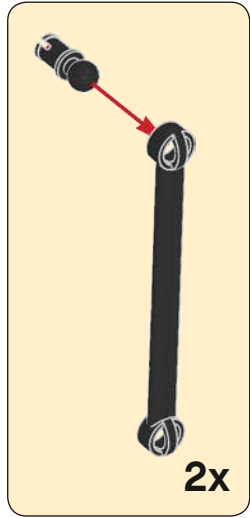
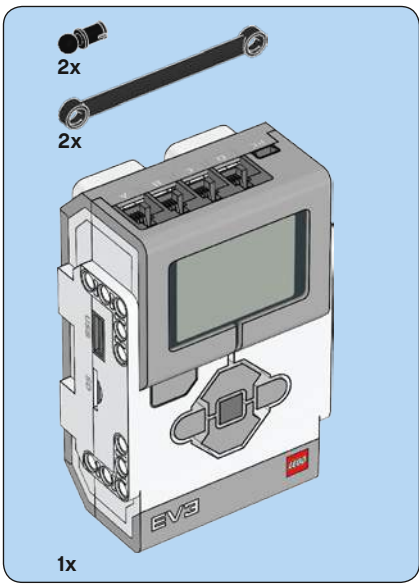
31



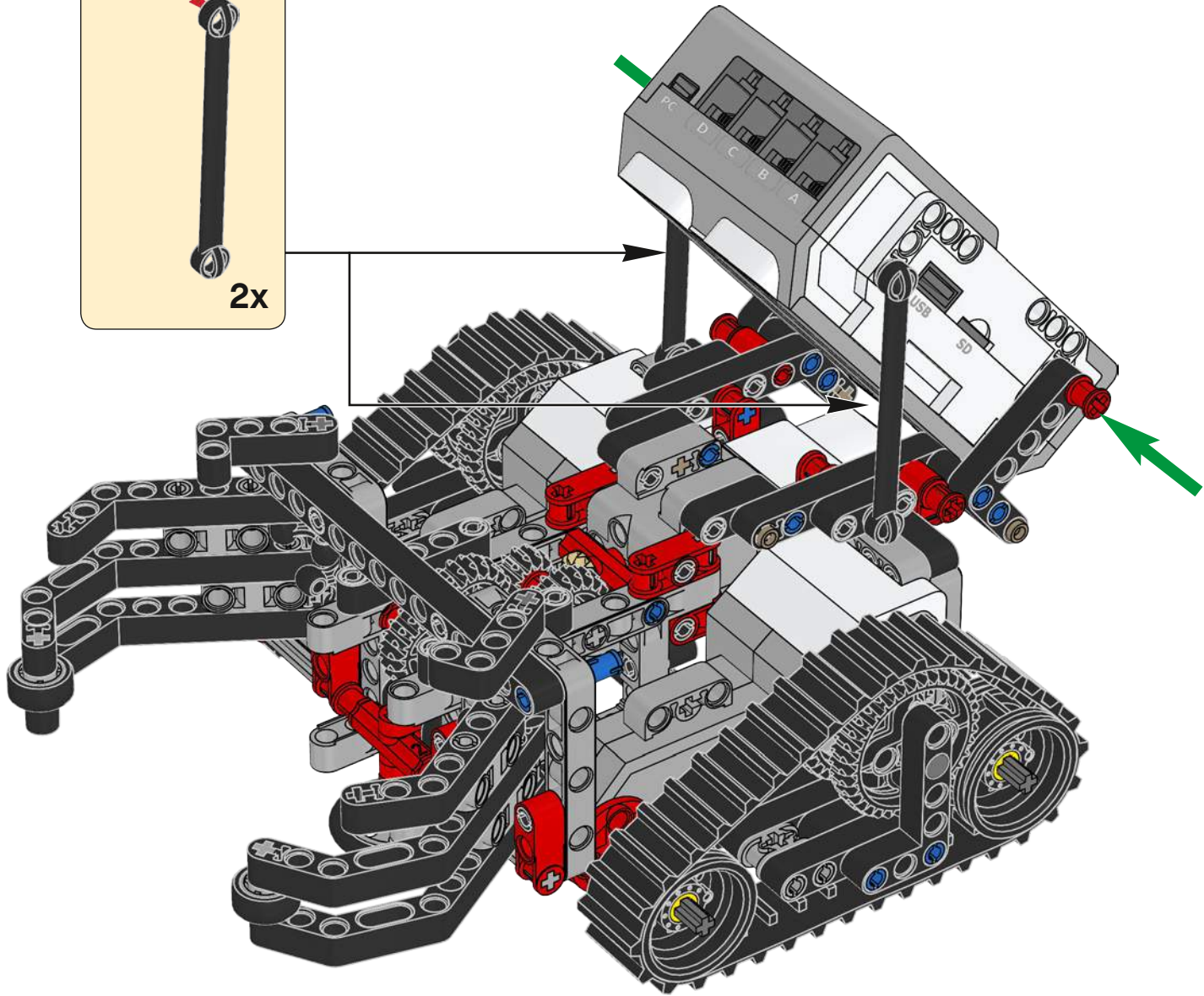


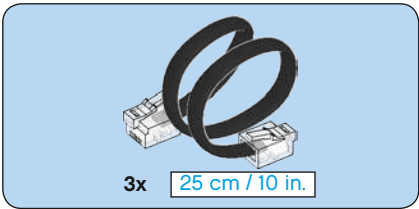
32



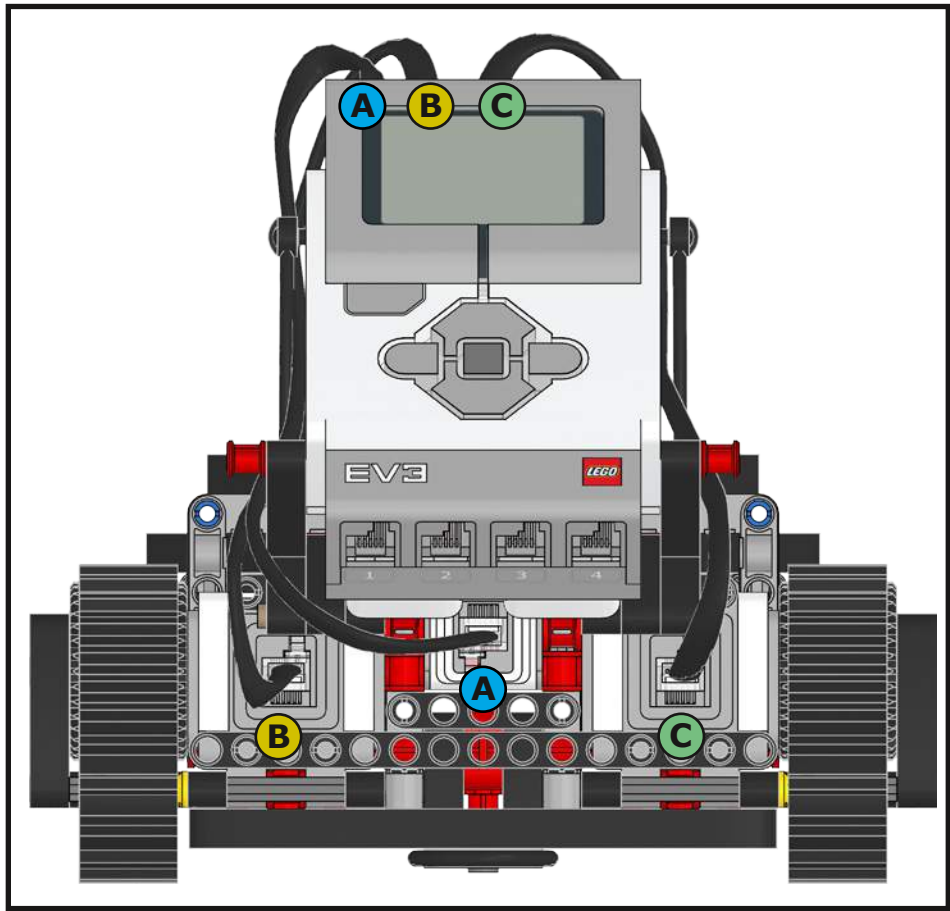
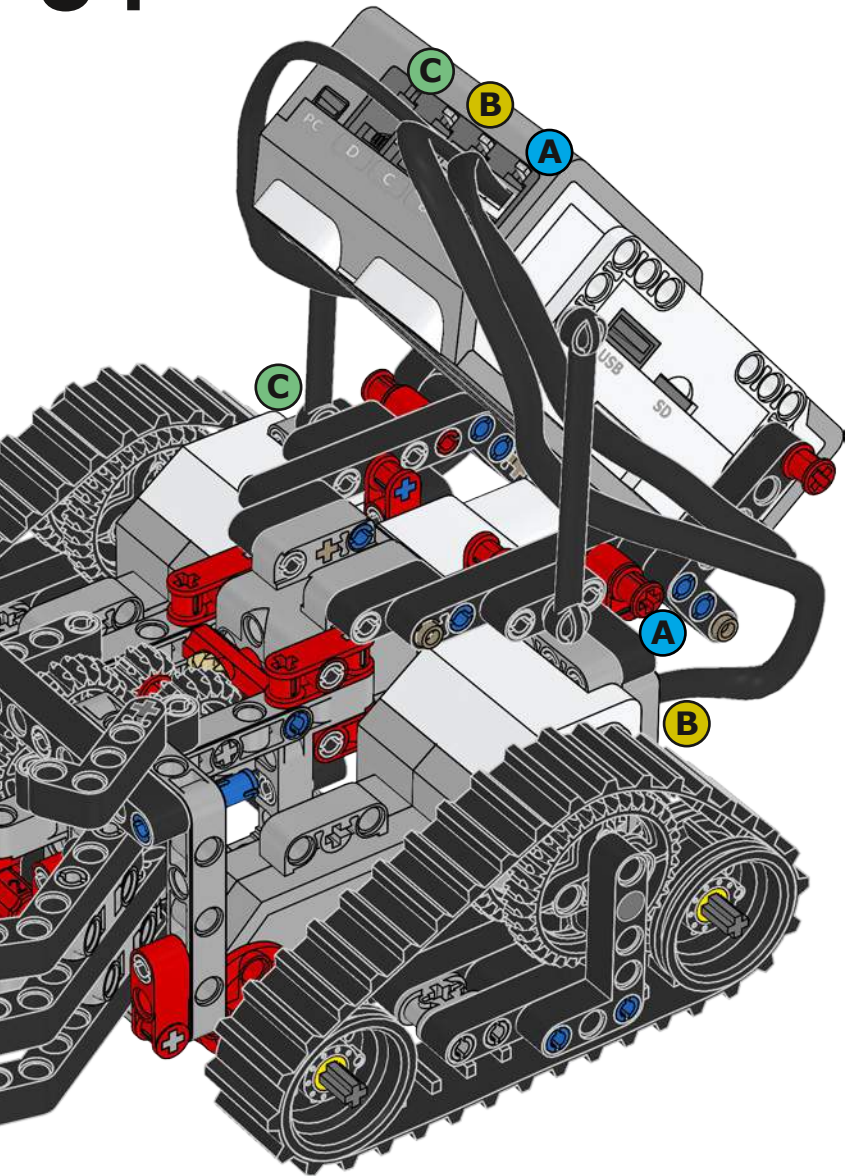


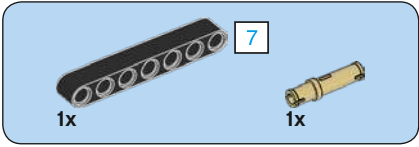
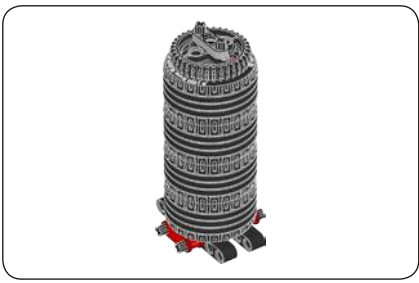
33



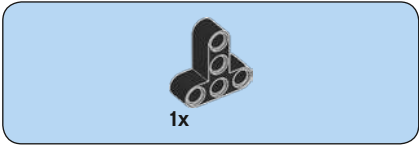
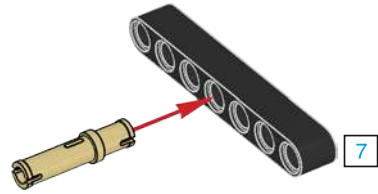


34

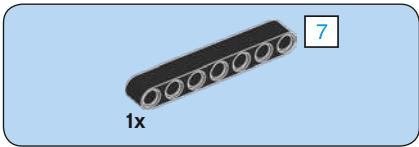
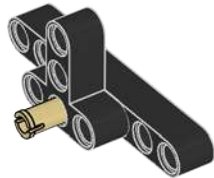




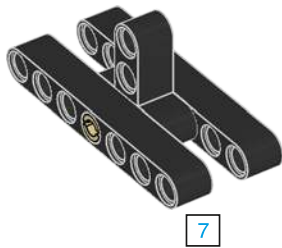
1

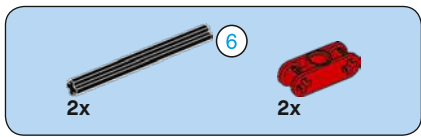


2

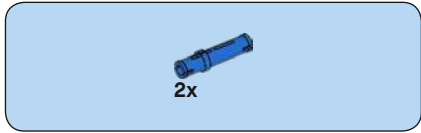
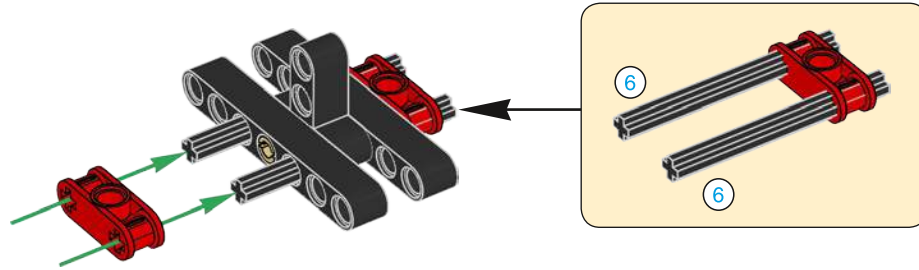


3

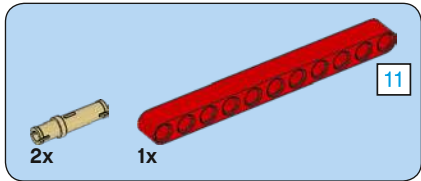
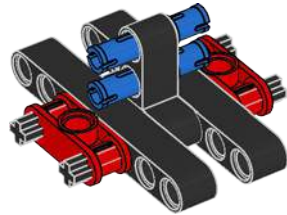




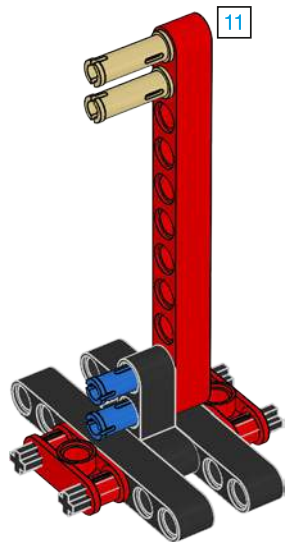
4

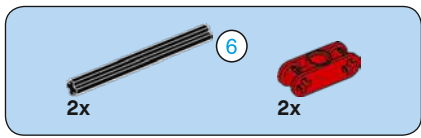


5

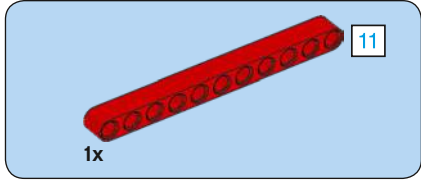
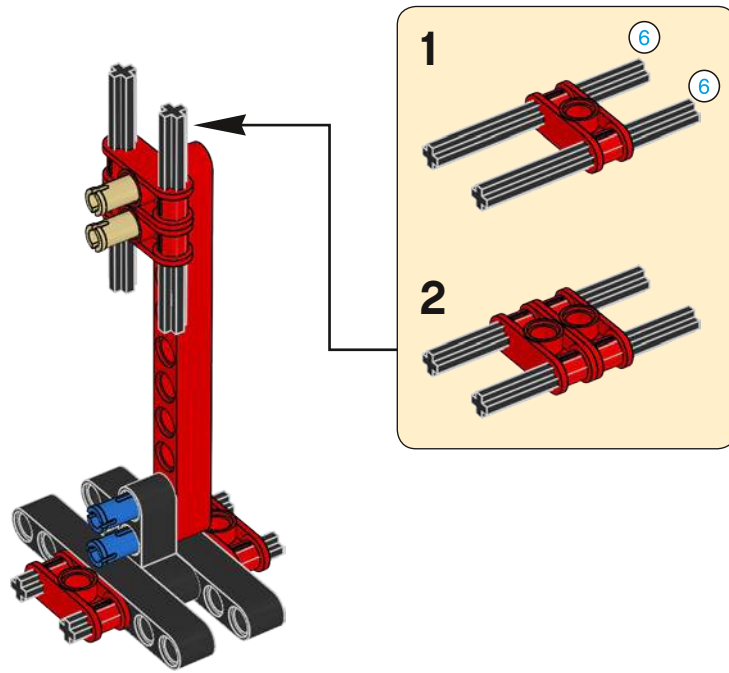


6

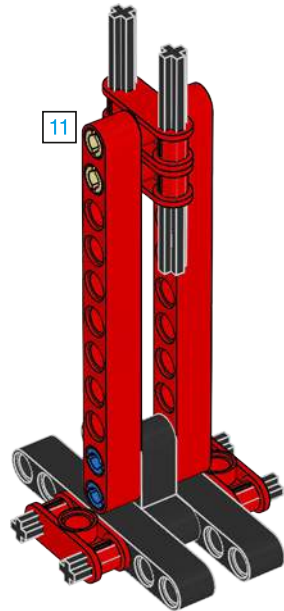


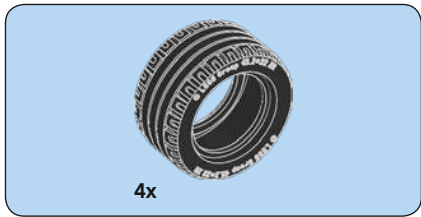


7

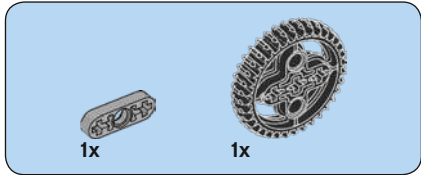


8



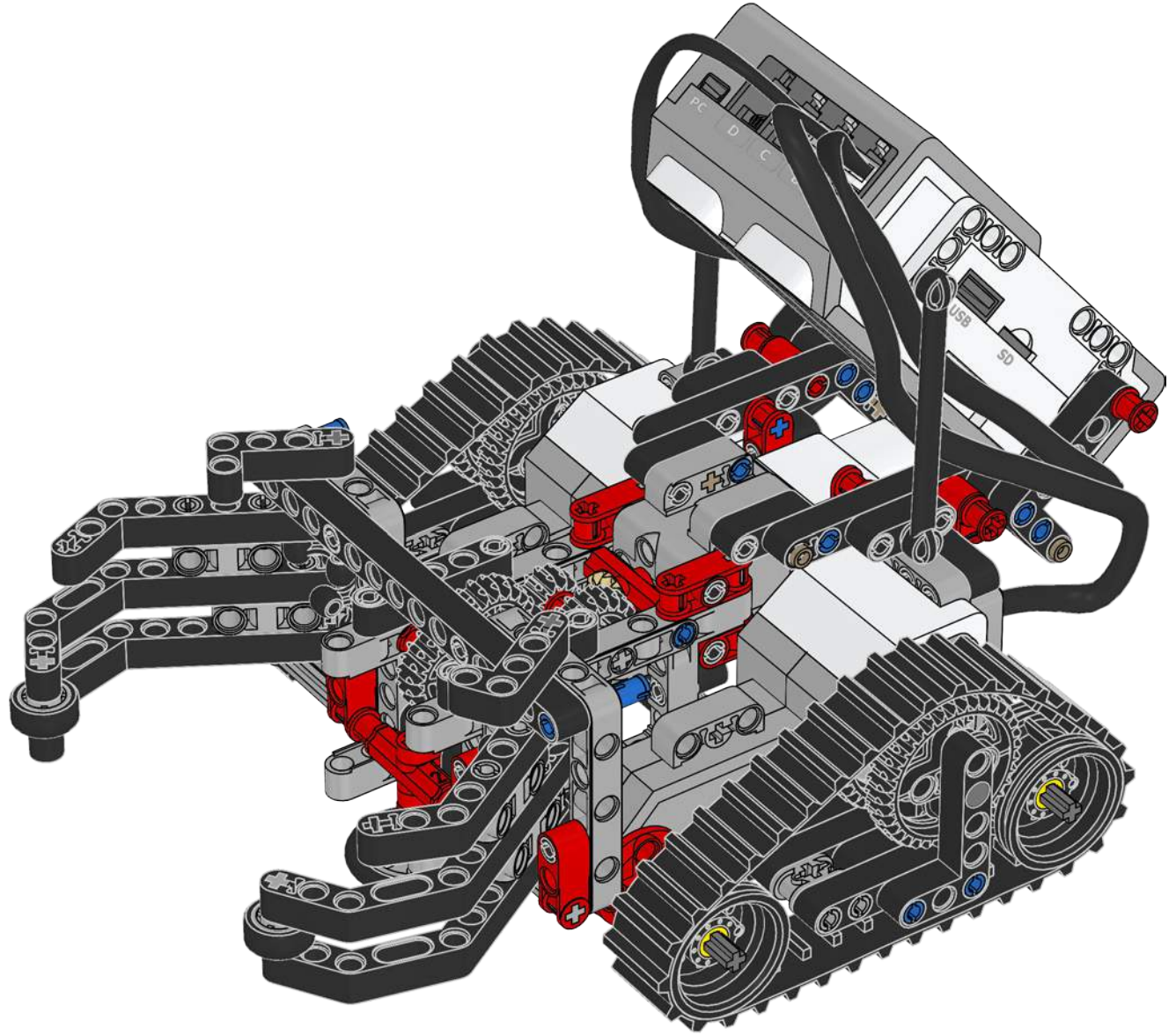


9



10







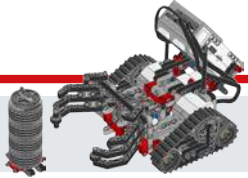
Download on the App Store



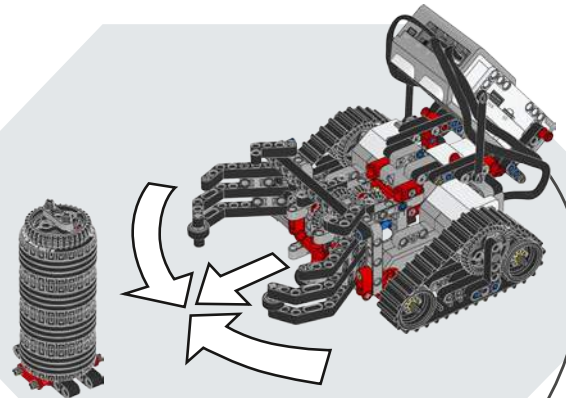
GET IT ON Google play



LEGO® MINDSTORMS®
EV3 Programmer
The LEGO Group



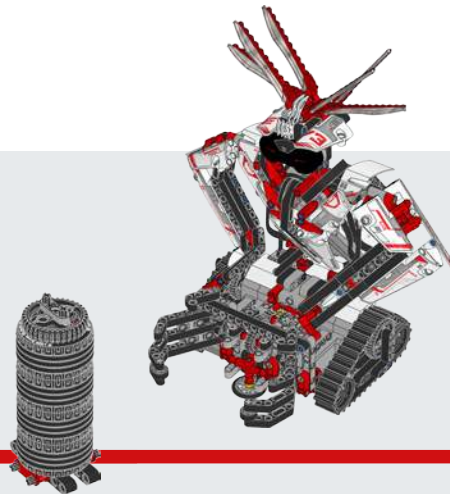
MISSION 02

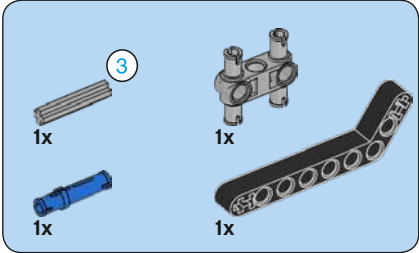
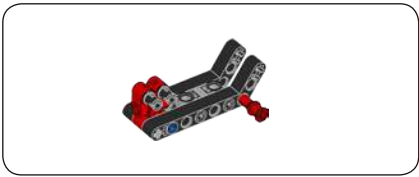


LEGO.com/mindstorms/software

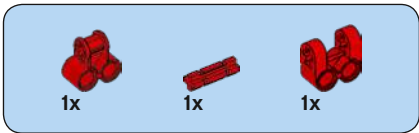
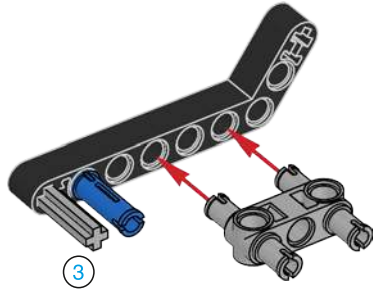


MISSION 03

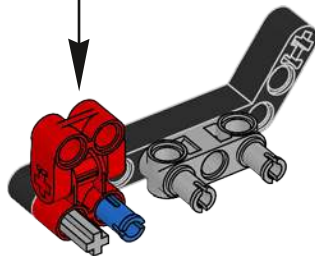
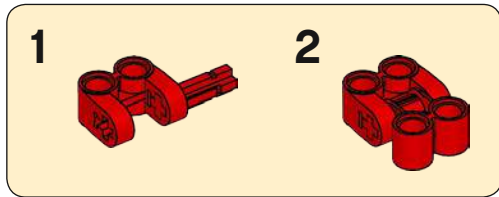


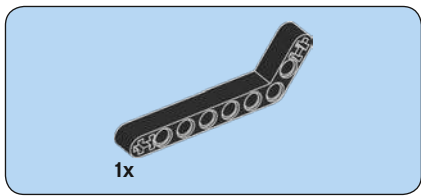


1

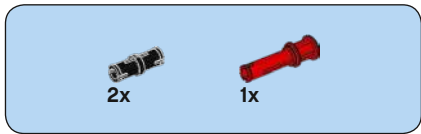
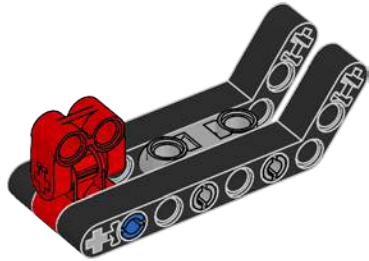


2

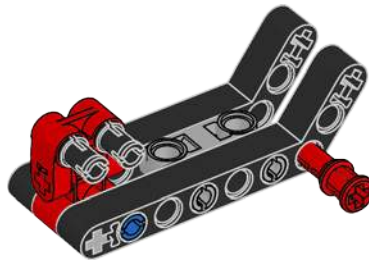




3

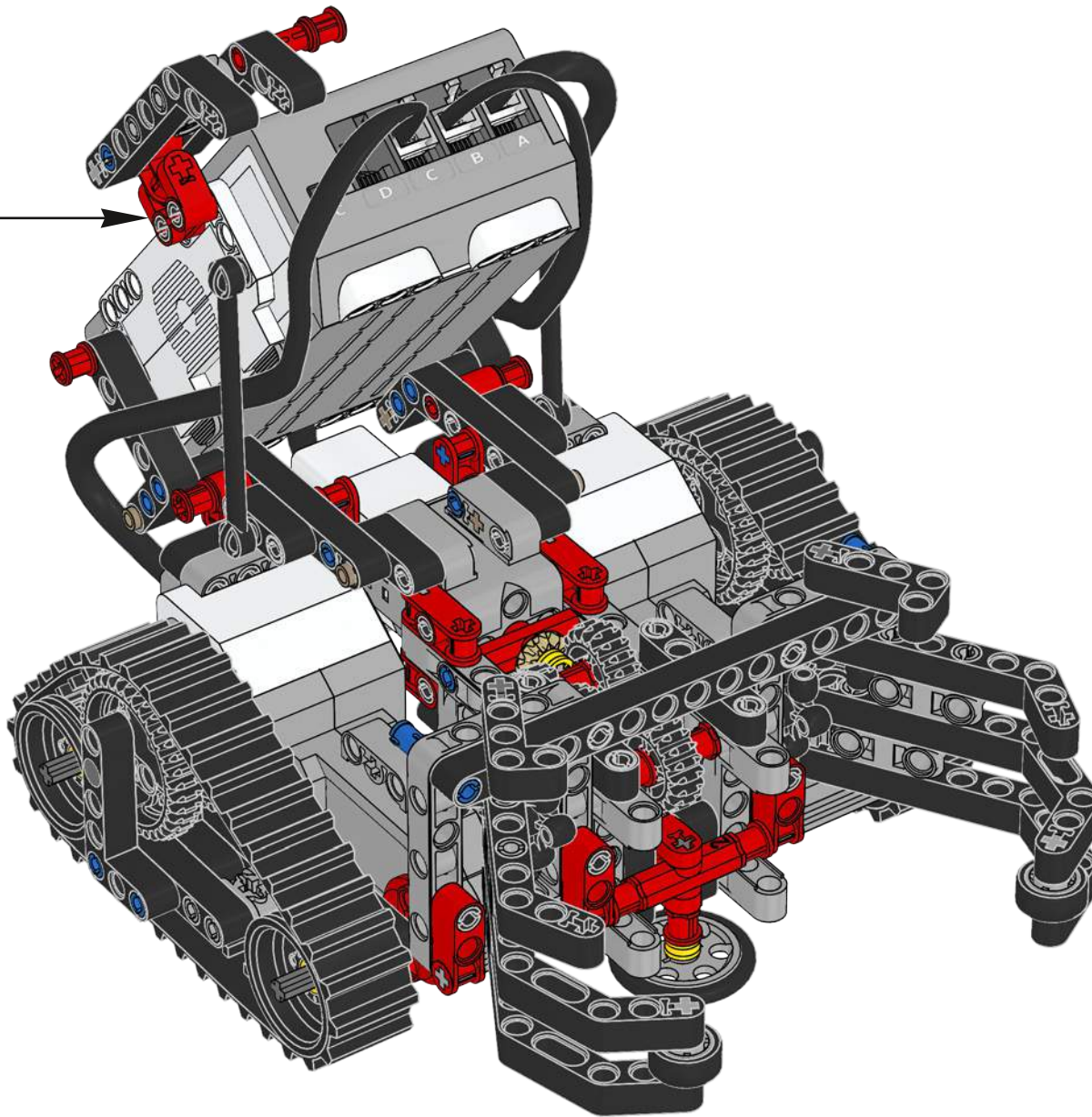


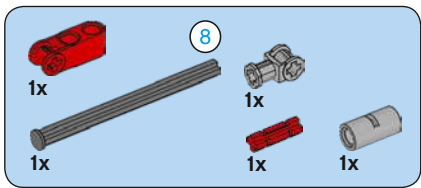
4



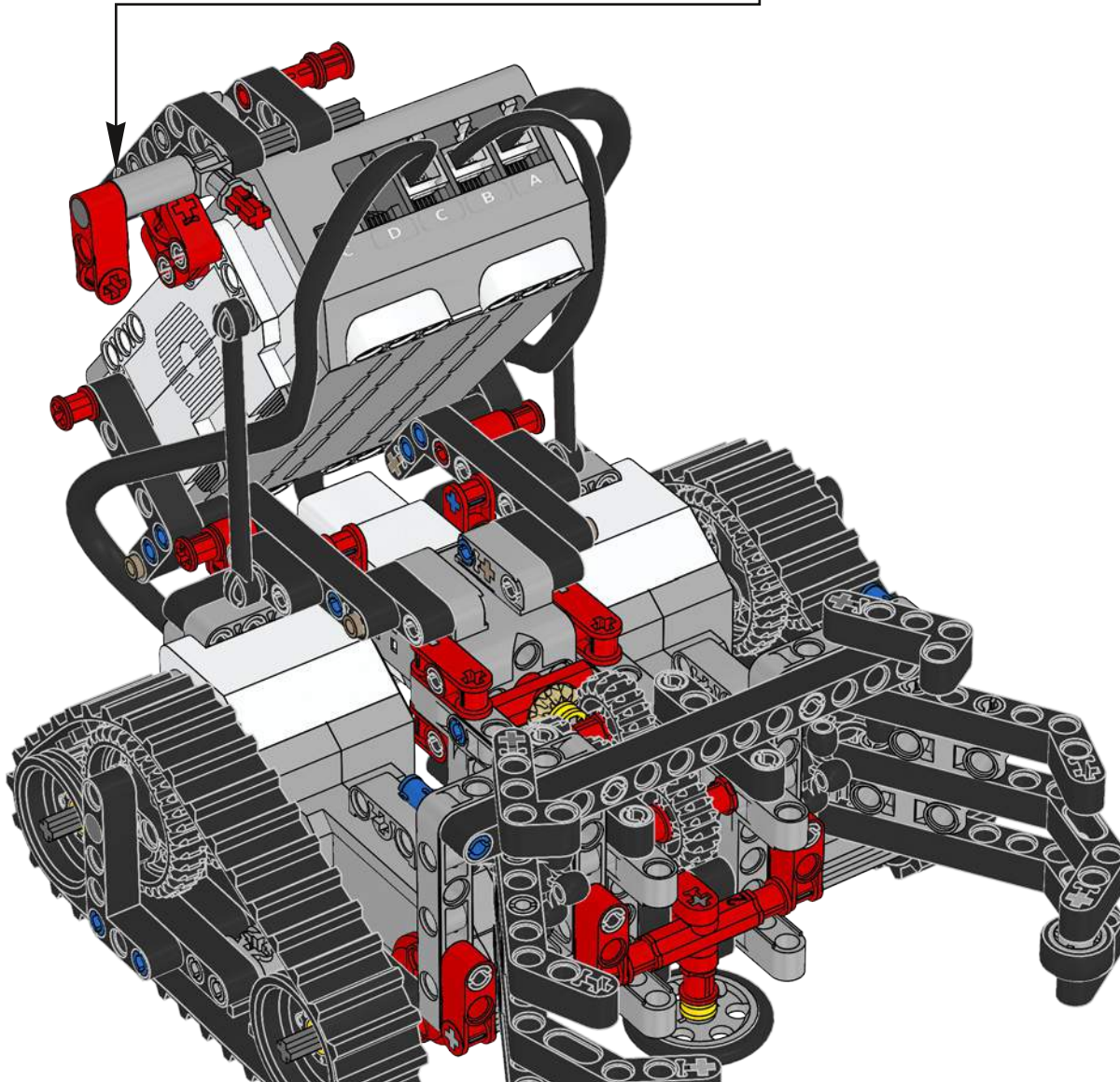
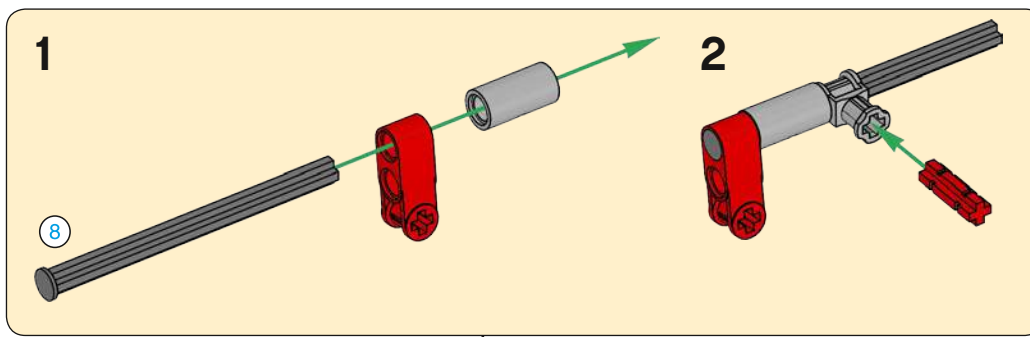


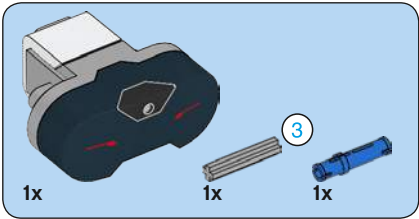
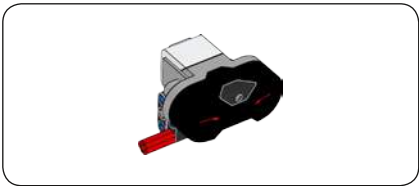
35



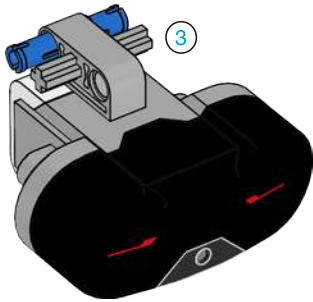


36

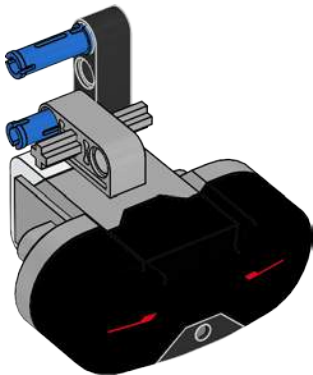


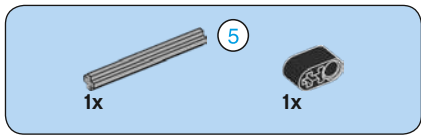


1

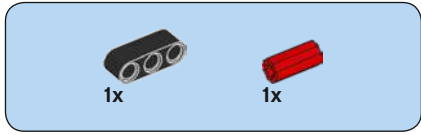
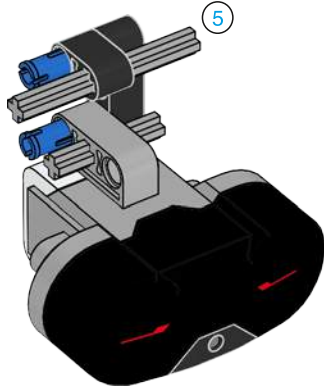


2

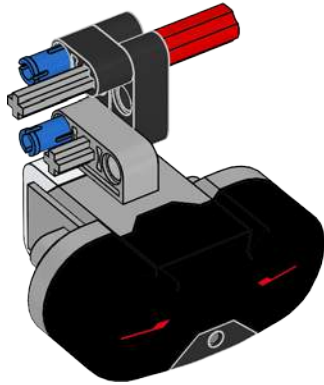


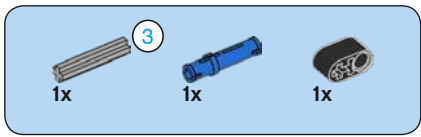


3

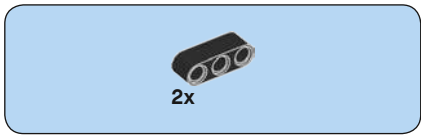
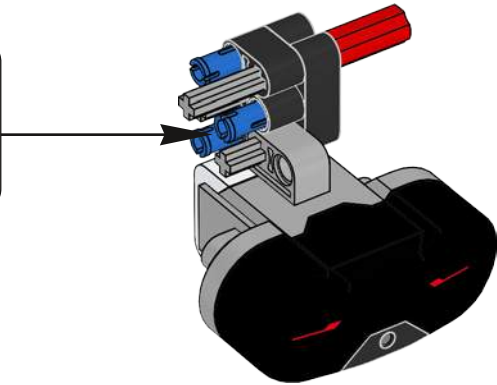
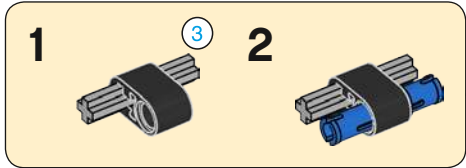


4

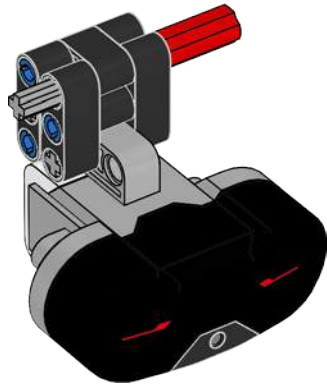


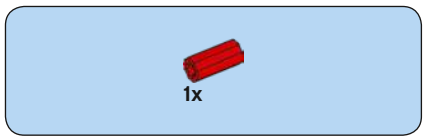


5

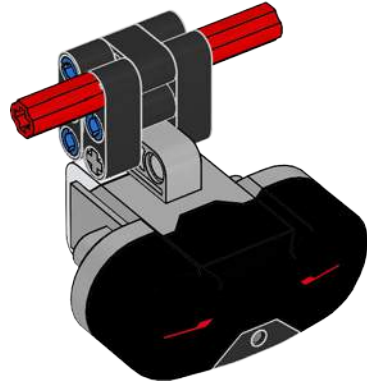


6

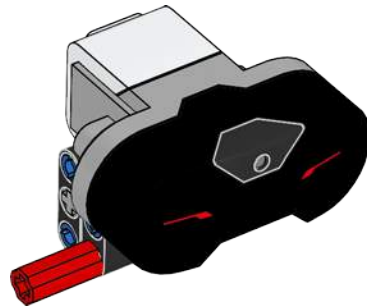




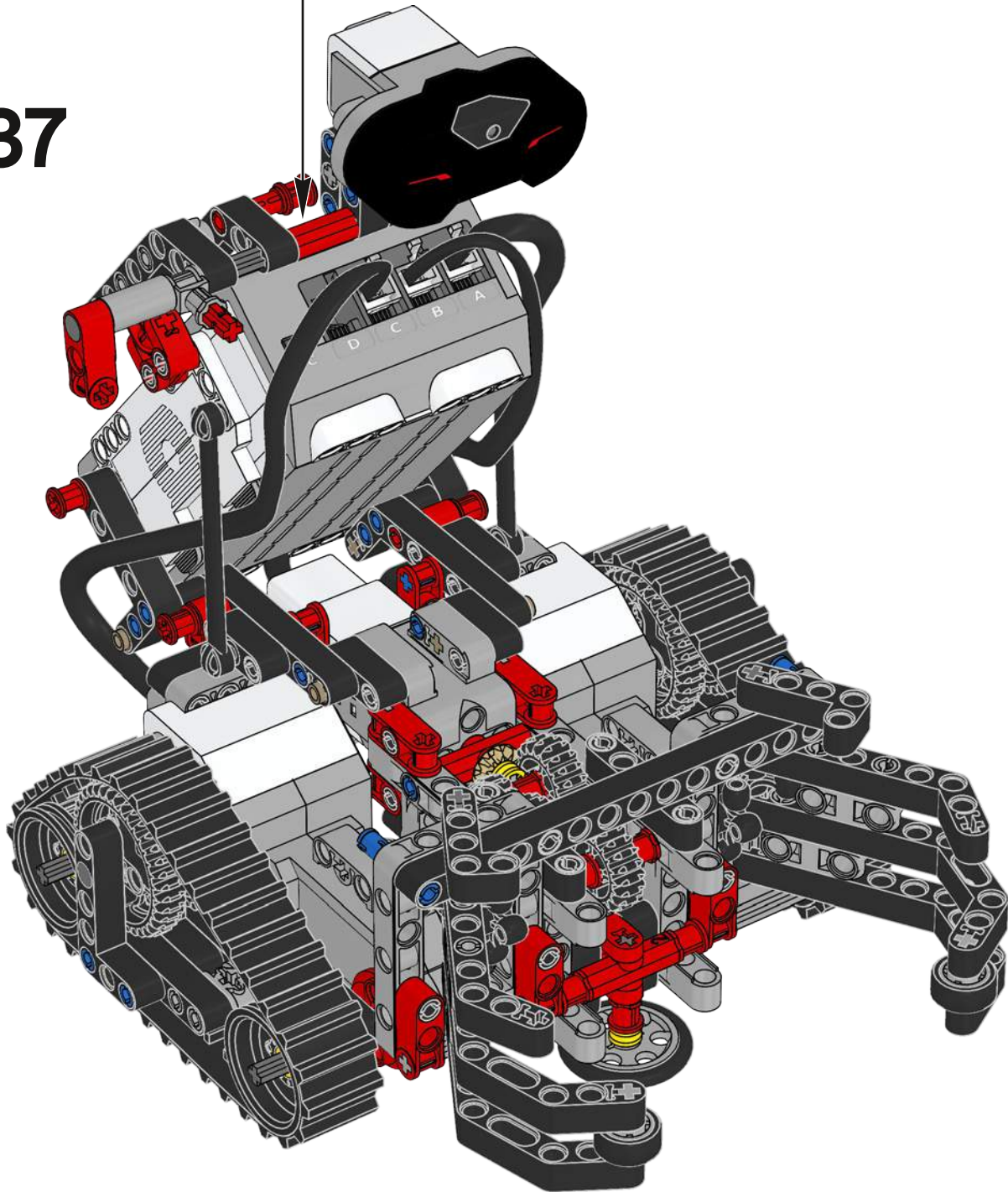
7

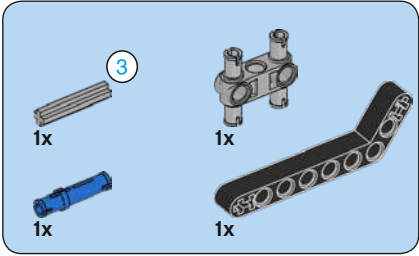
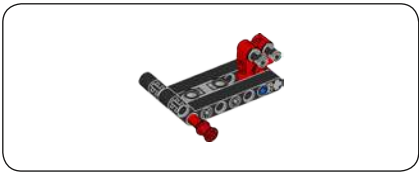


8

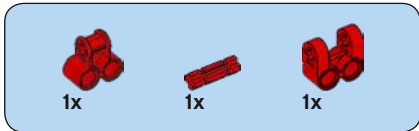
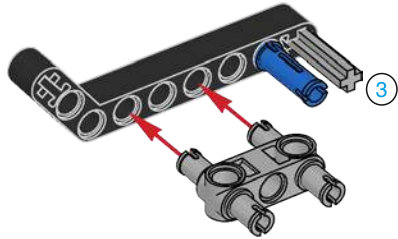


37

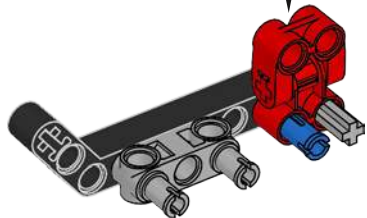
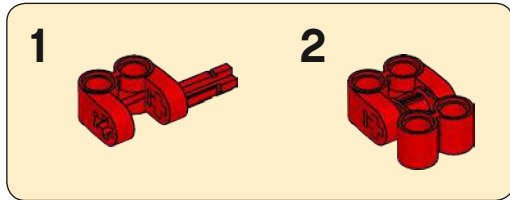


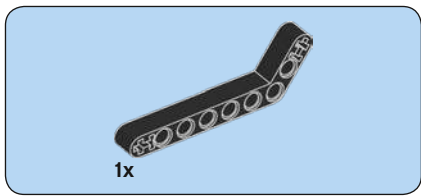


1

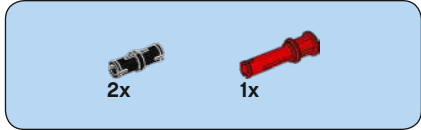
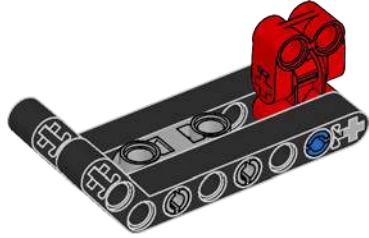


2

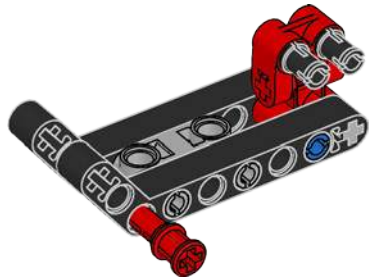




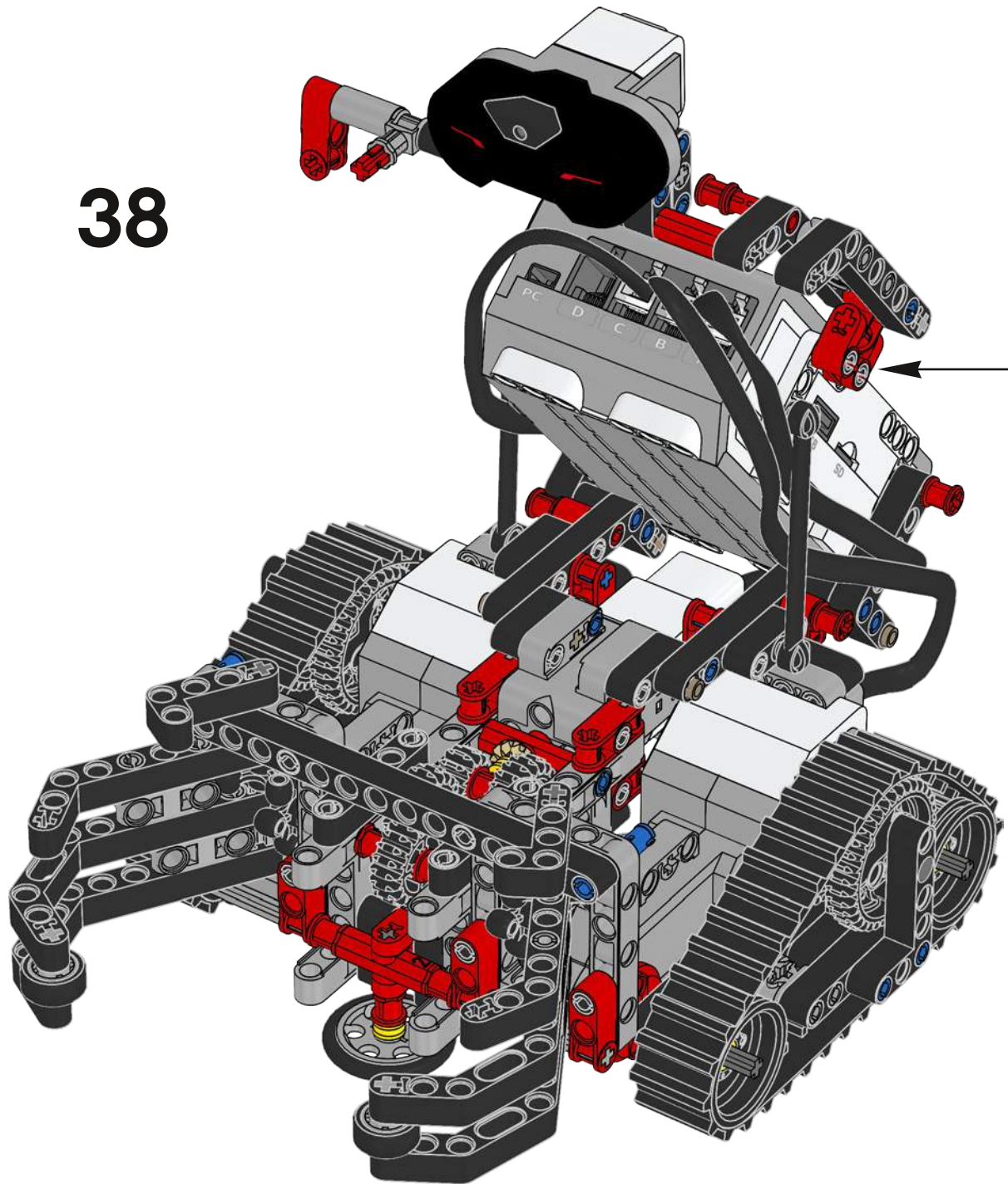
3

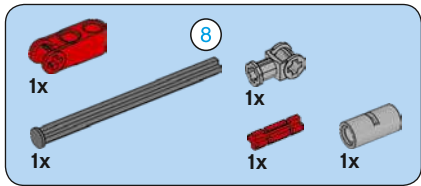


4

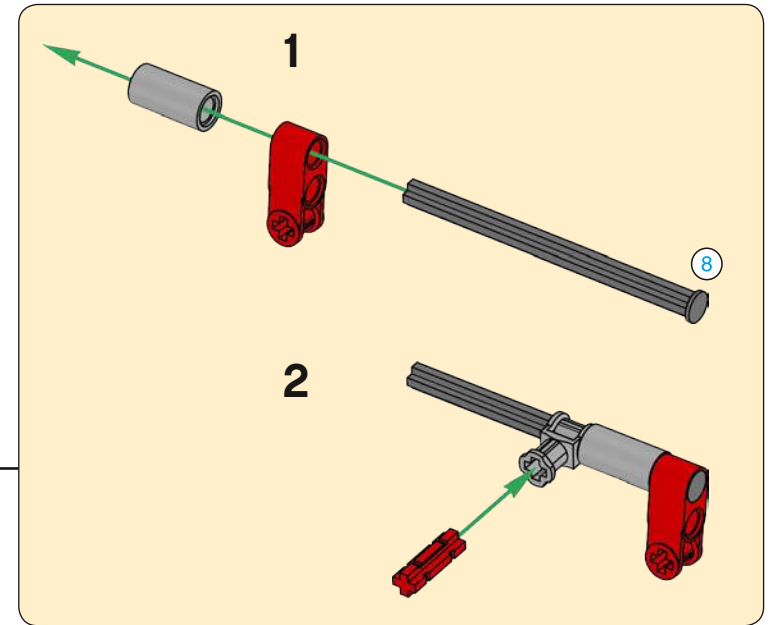
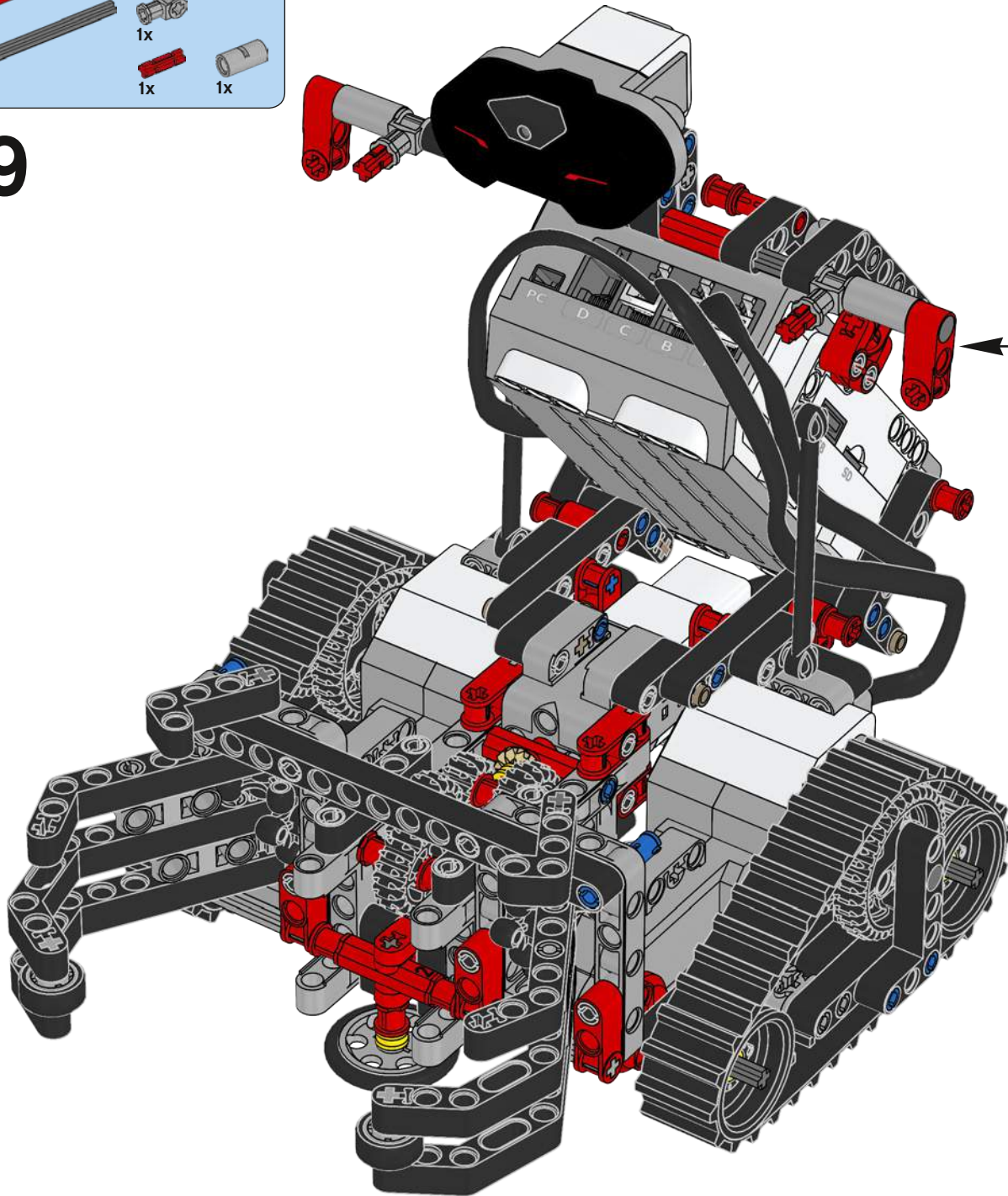


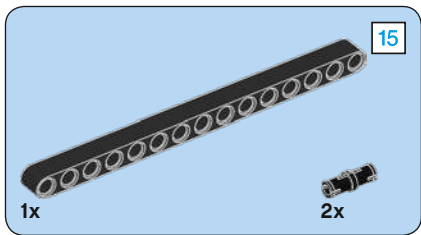
38



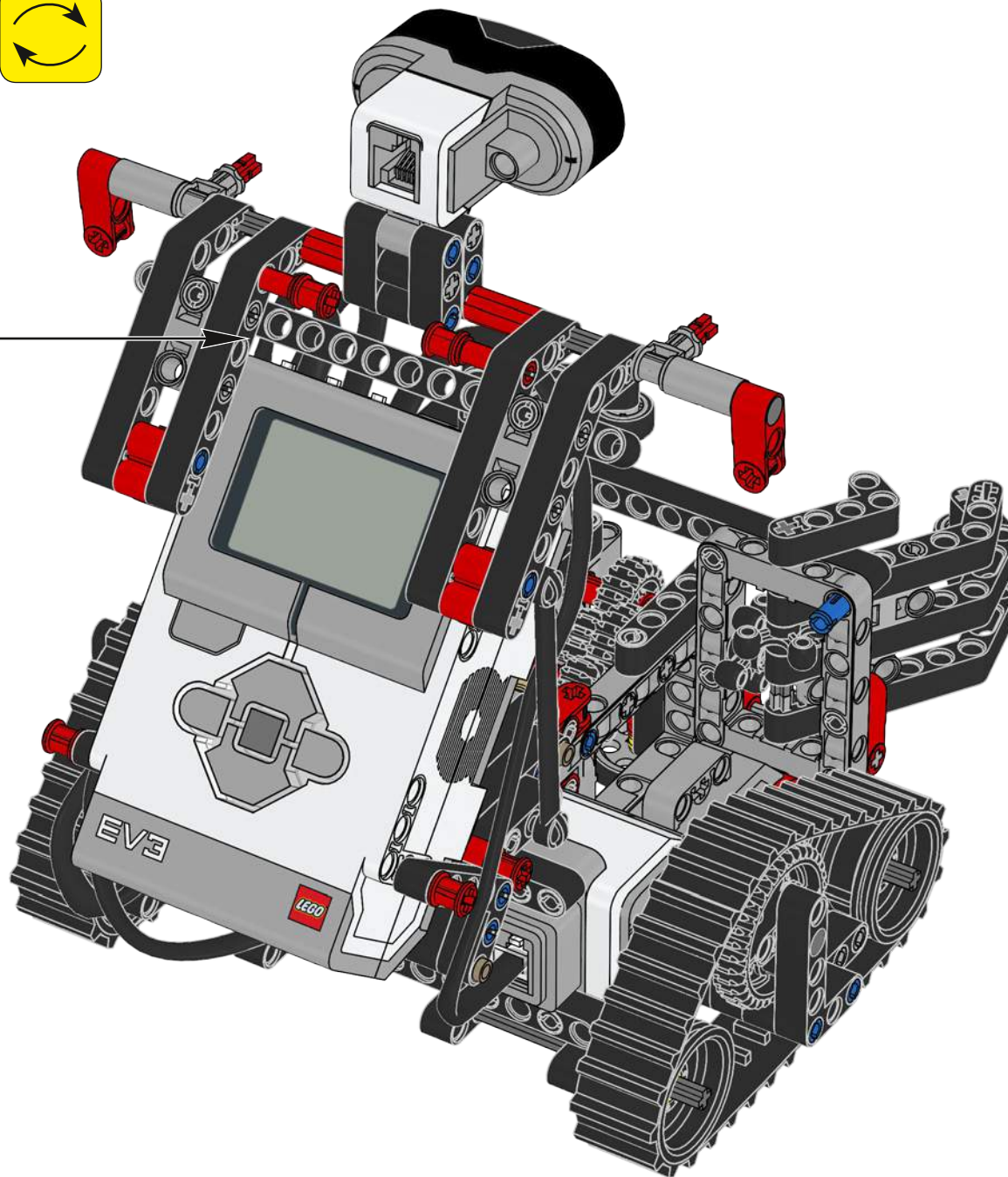
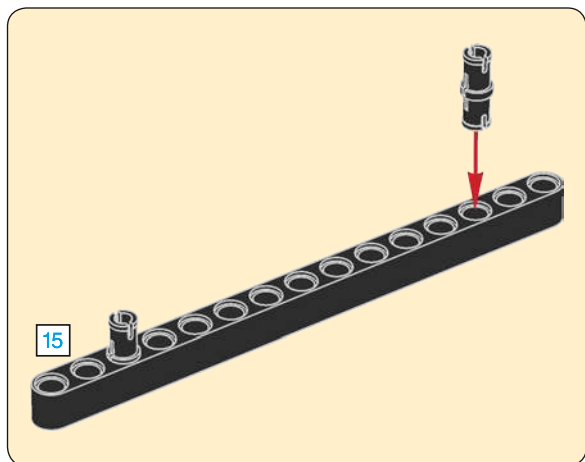


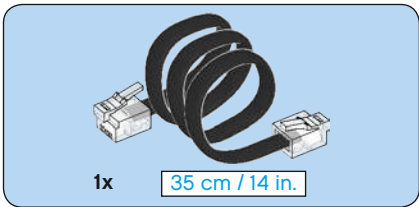
39



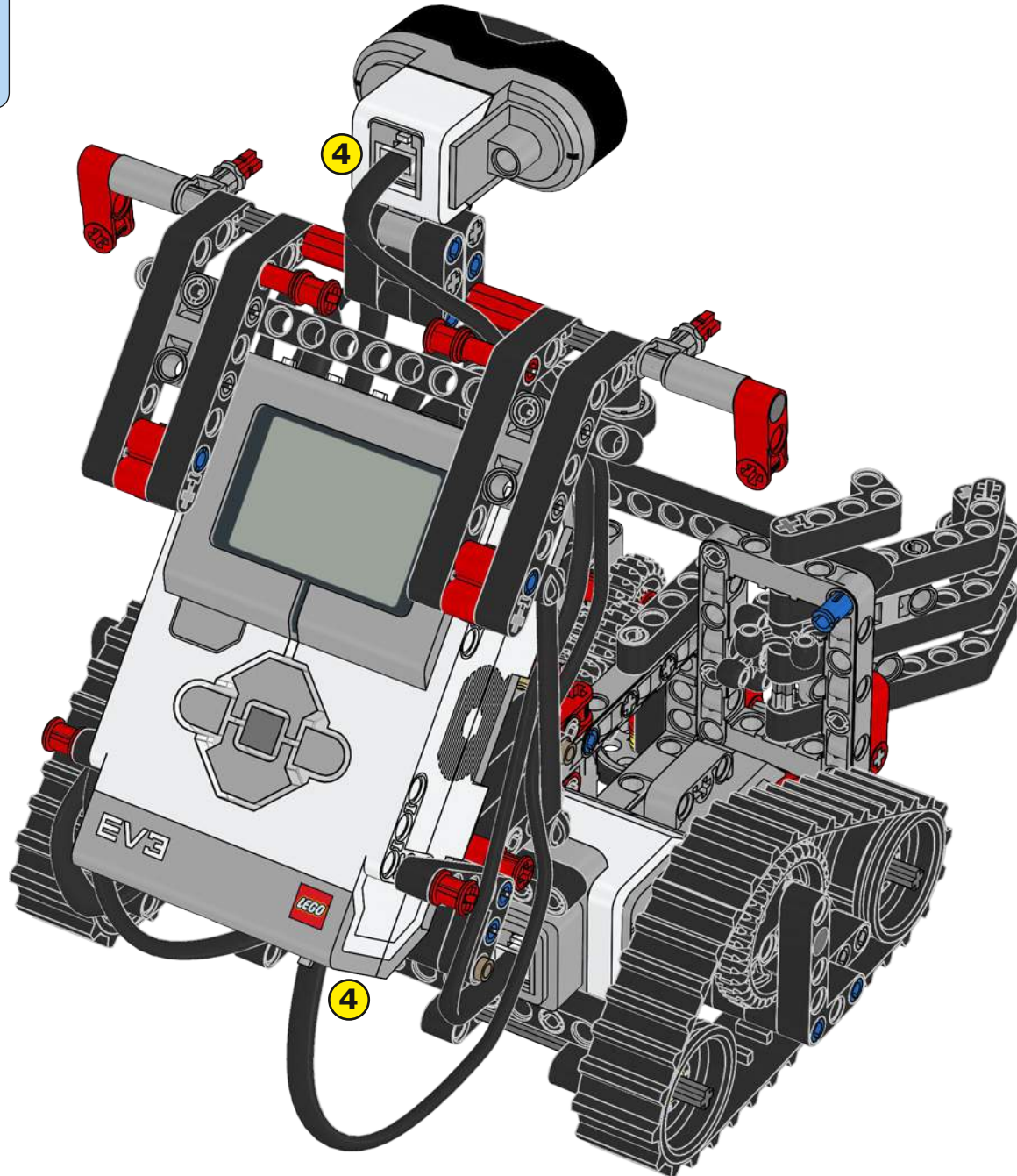


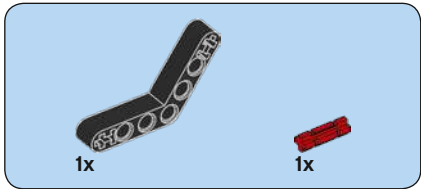
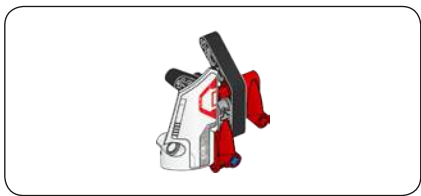
40





41

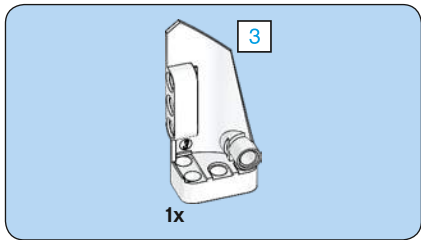
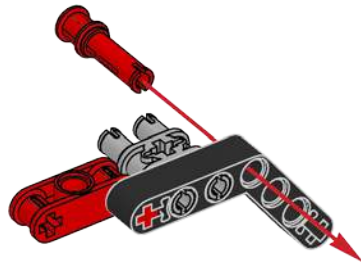




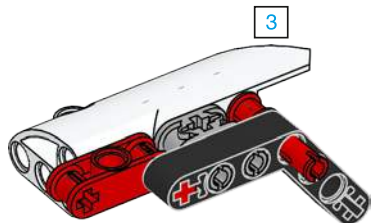
1



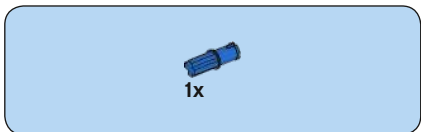
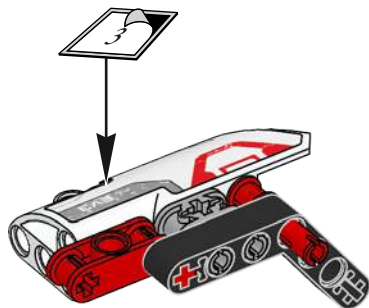
2



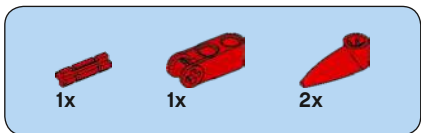
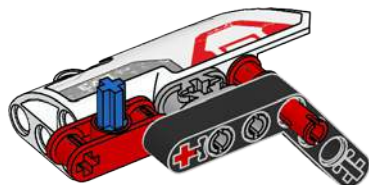
3



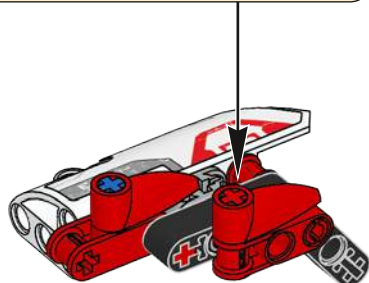
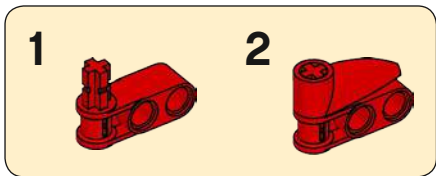
4

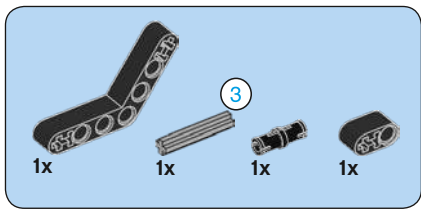


5

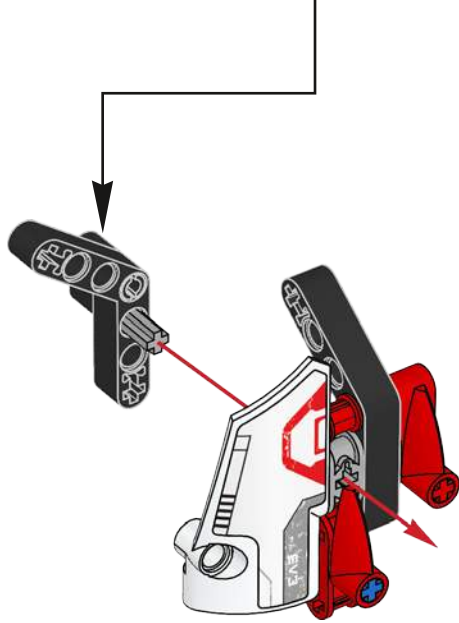
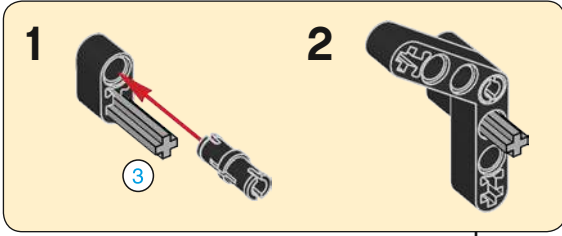


6

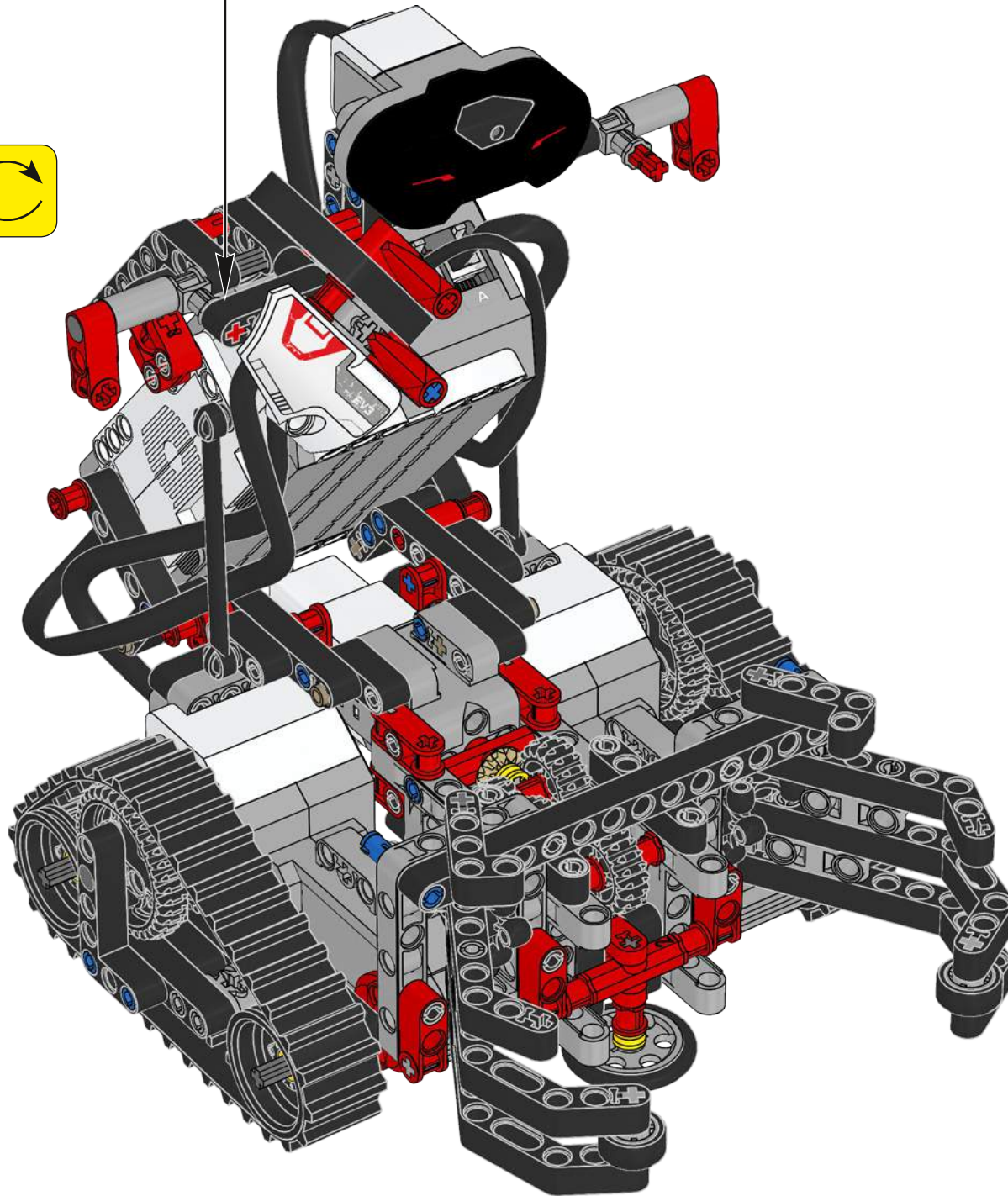


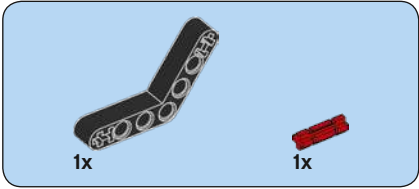
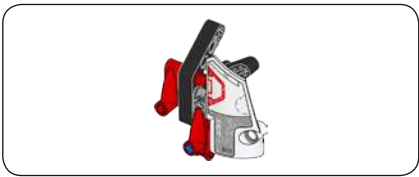


7

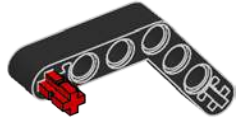


42

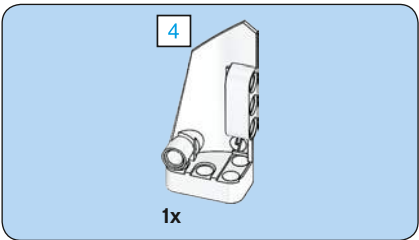
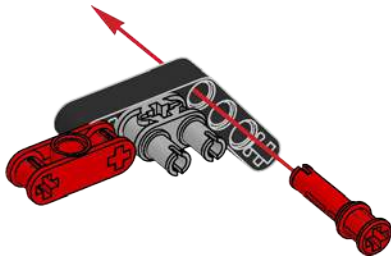




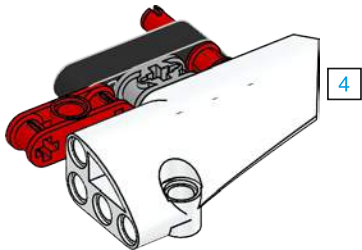
1



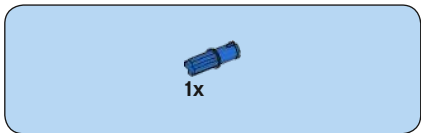
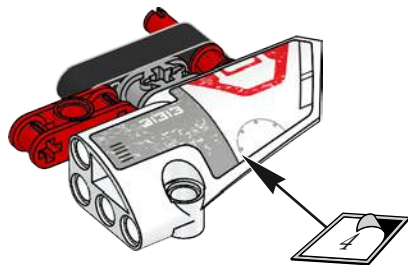
2



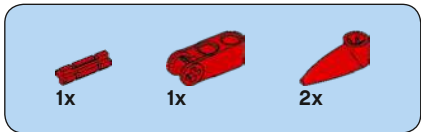
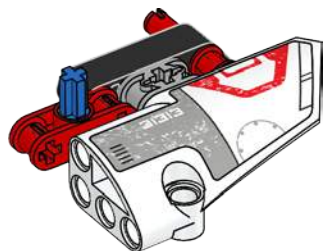
3



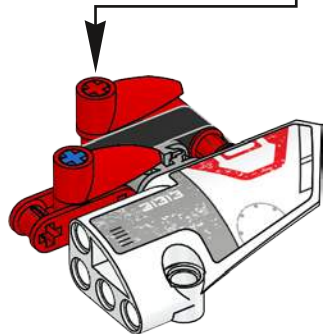
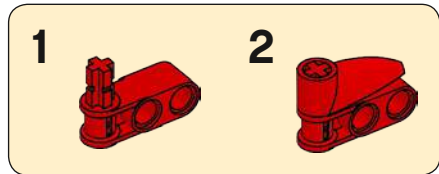
4

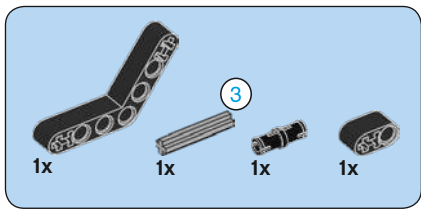


5

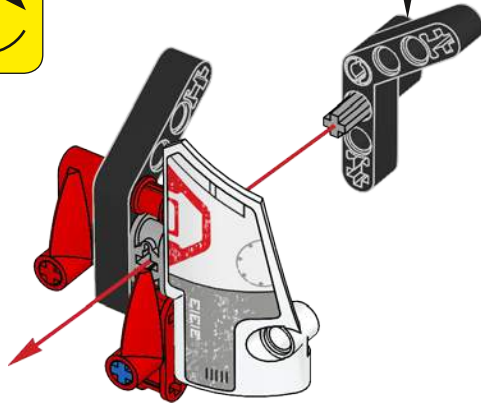
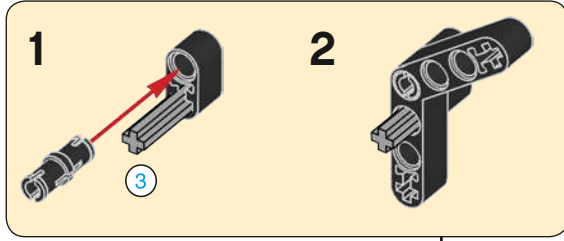


6

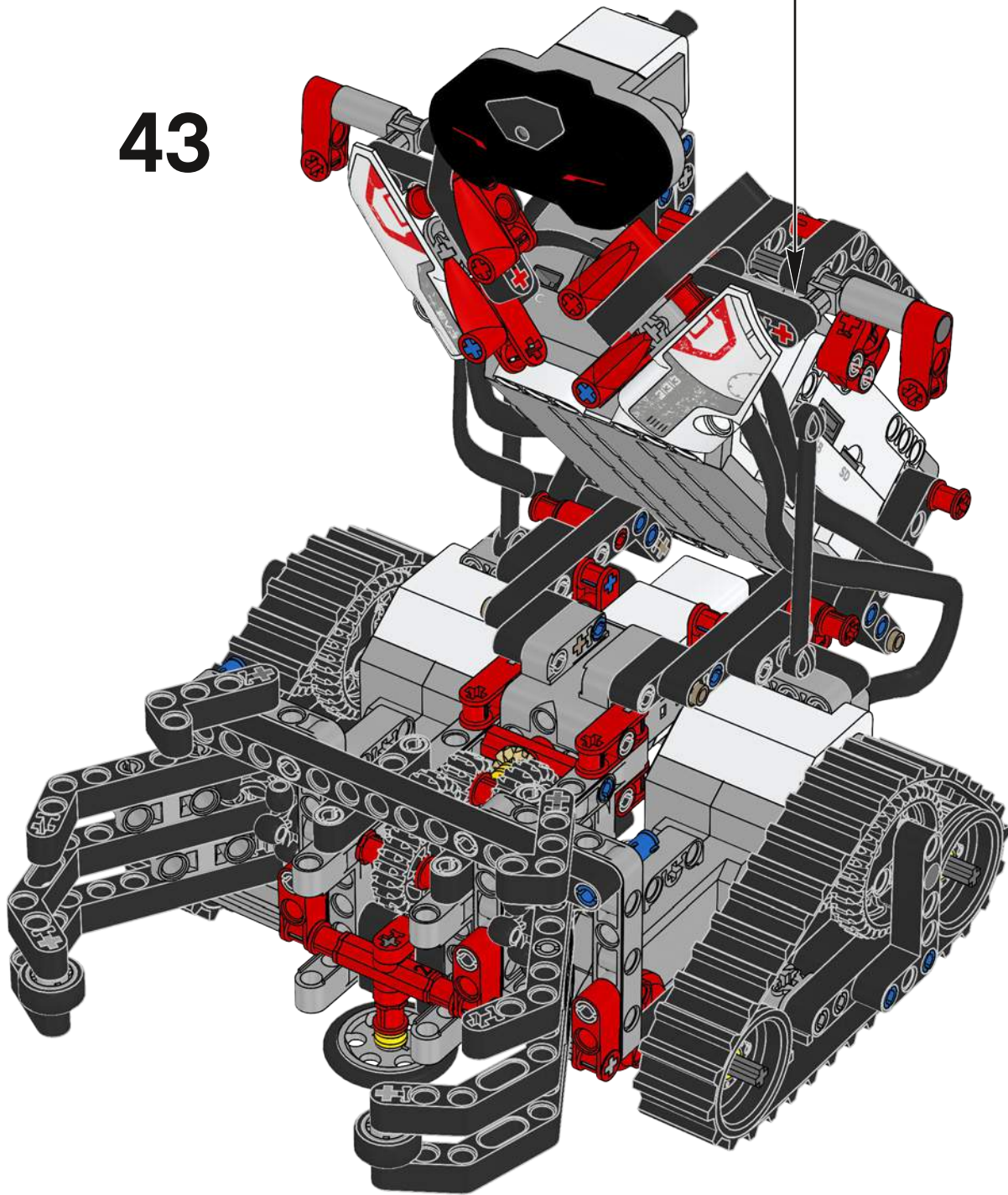


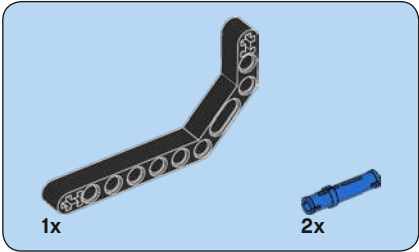


7

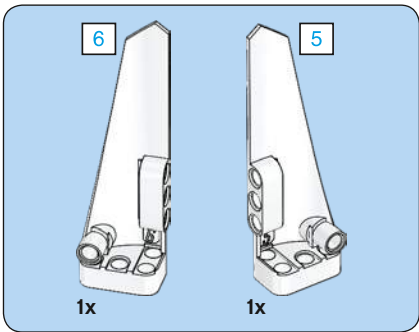
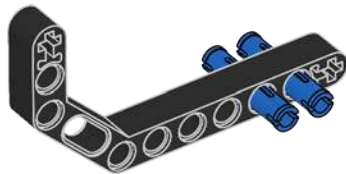


43

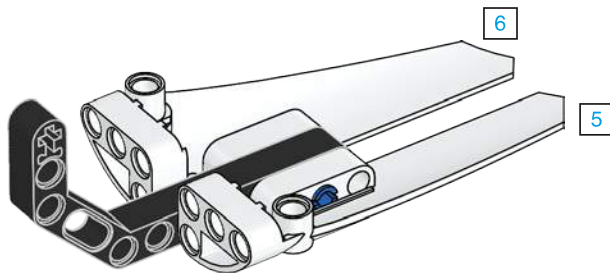


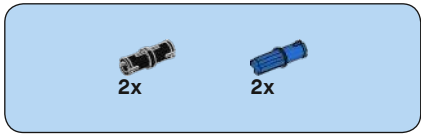


1

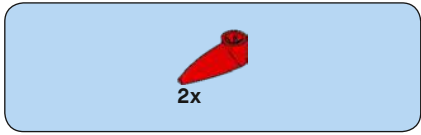
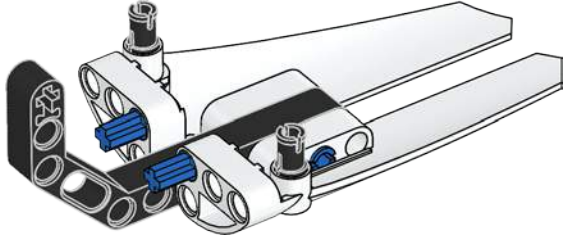


2

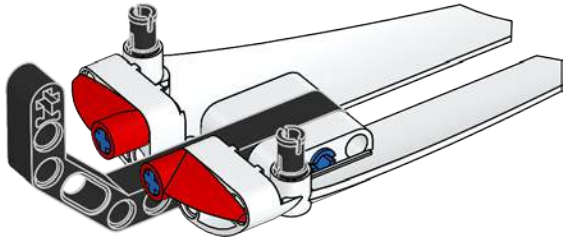




3

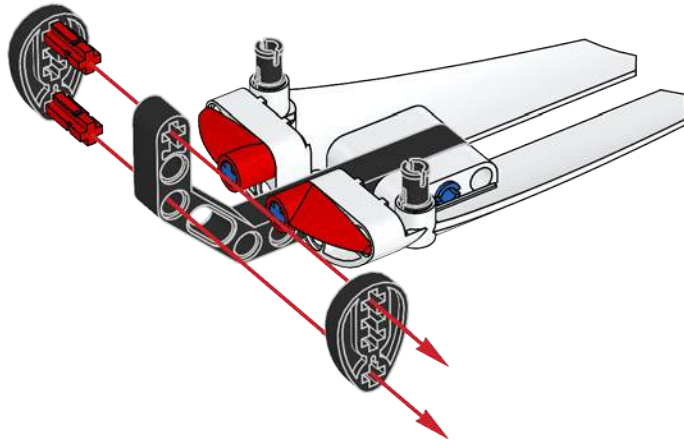


4

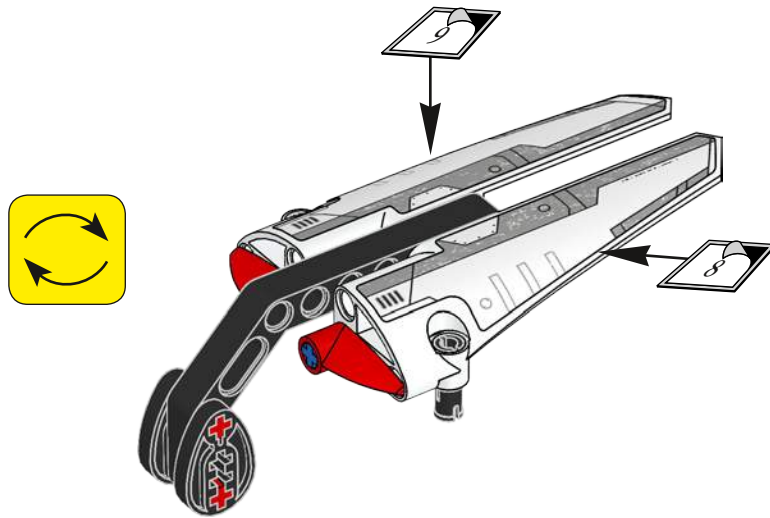




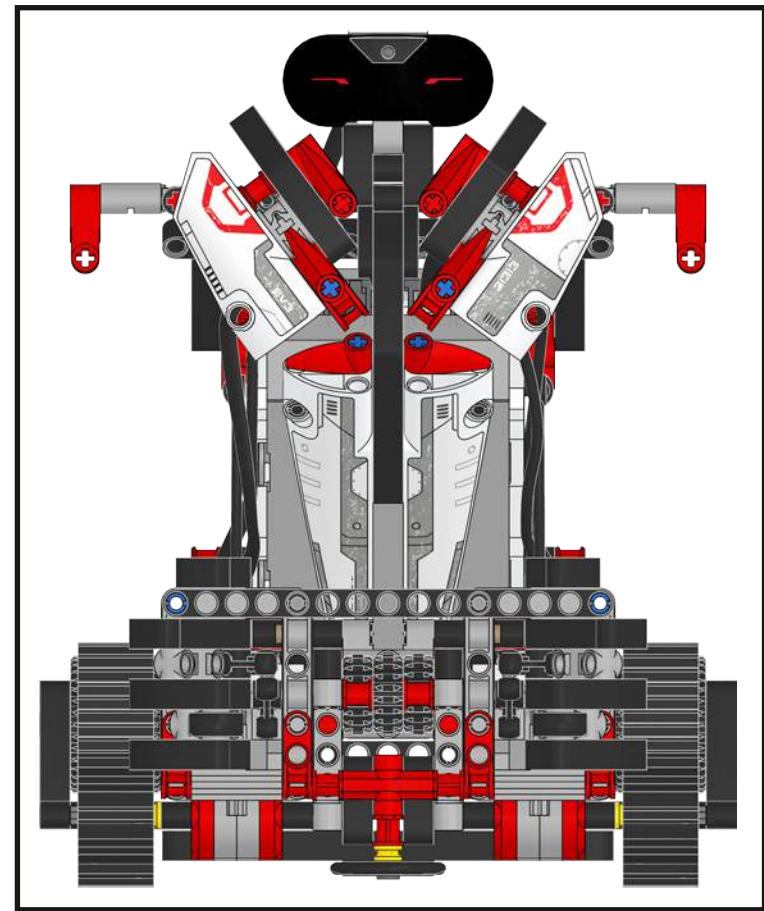
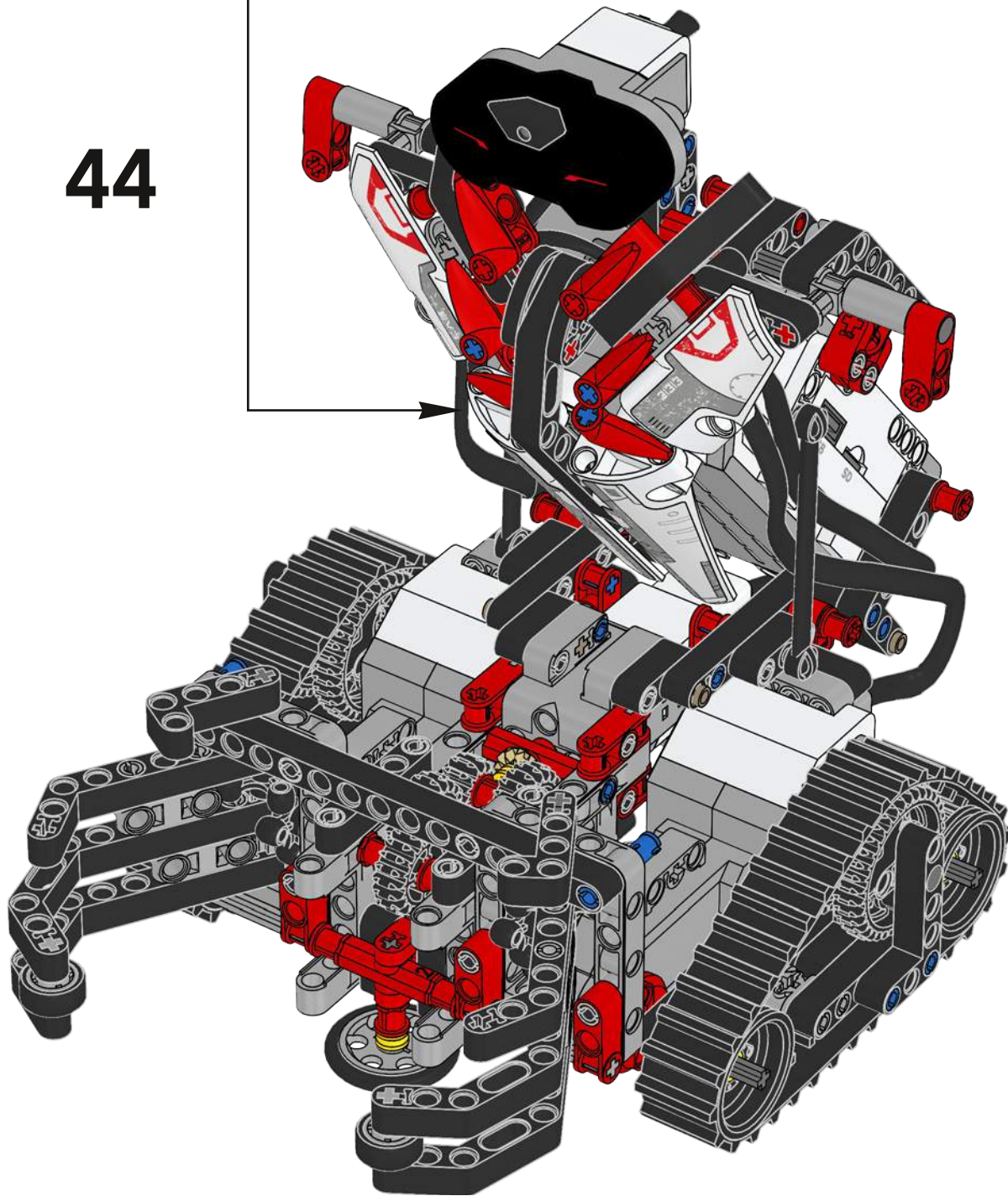
5

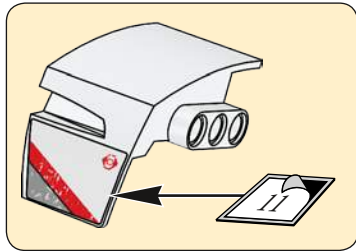
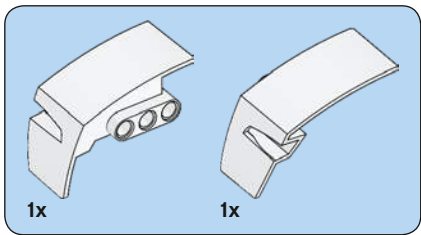


6

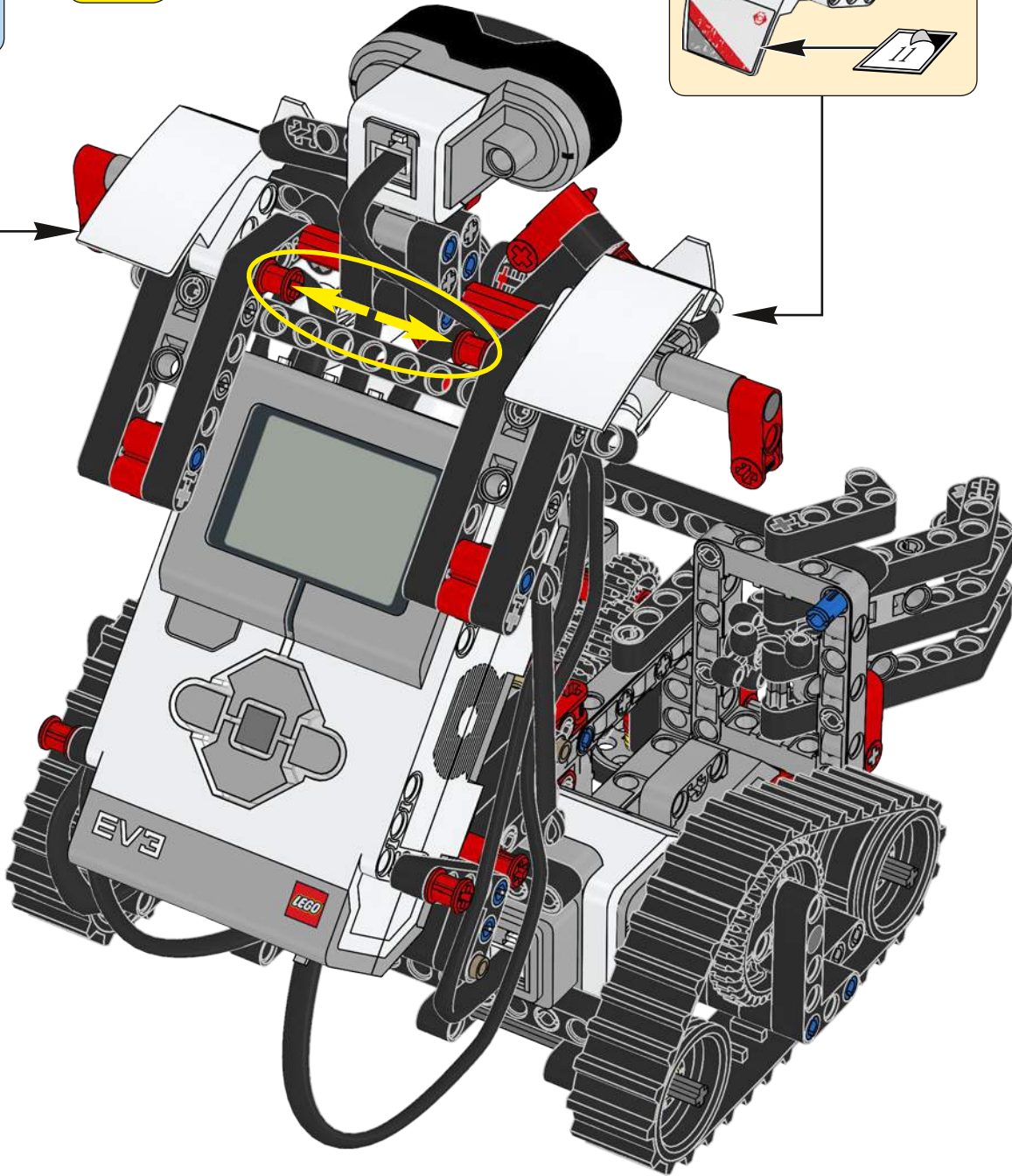
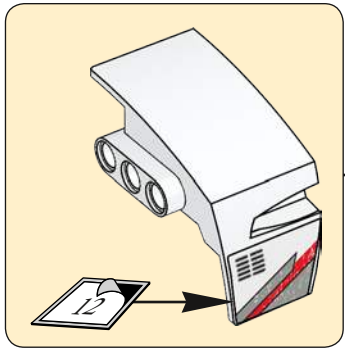


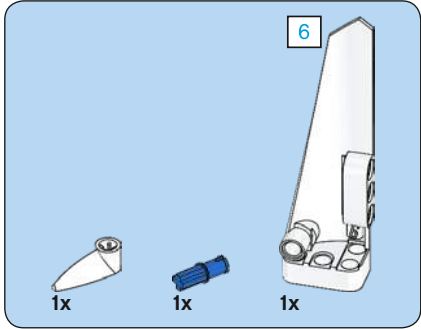
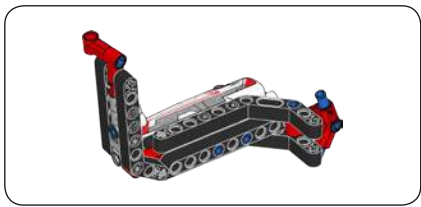
44



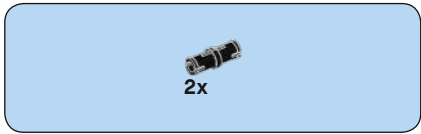
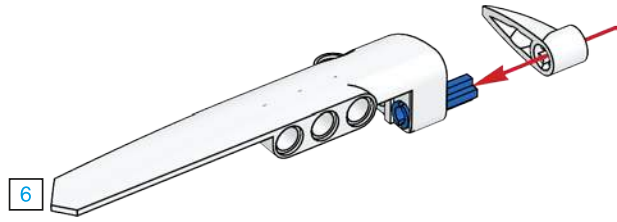


45

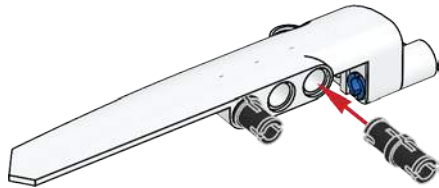




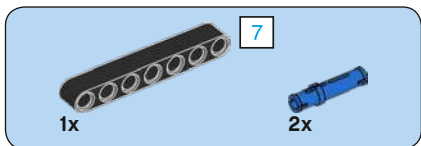
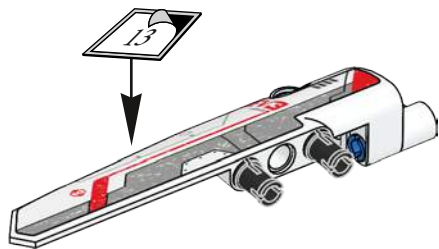
1



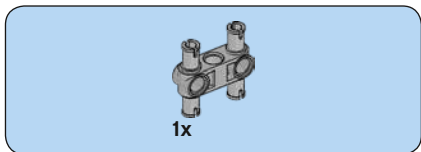
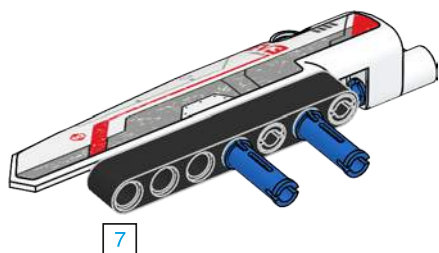
2



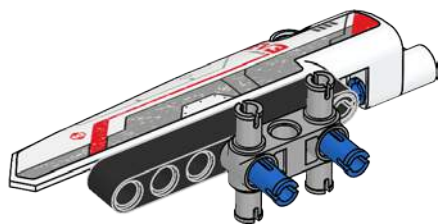
3

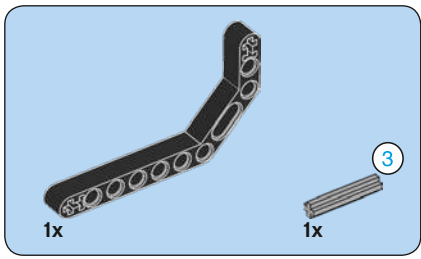


4

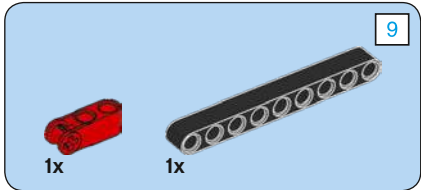
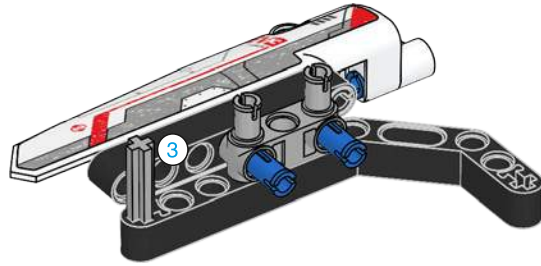


5

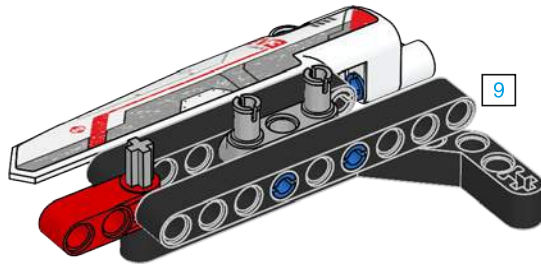


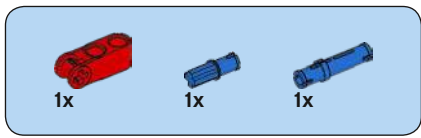


6

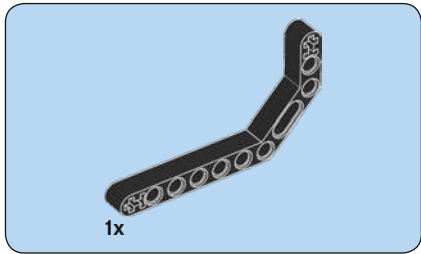
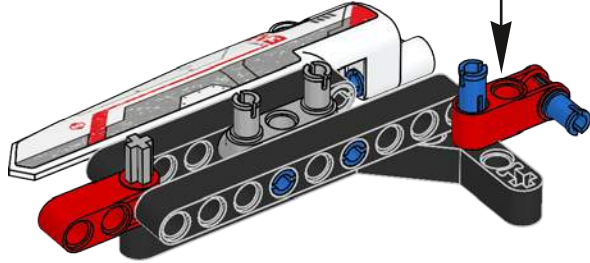
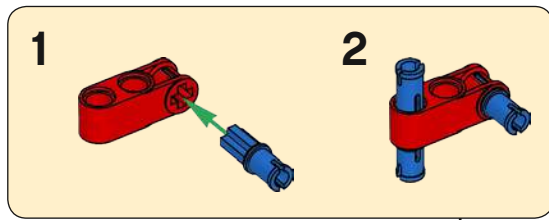


7

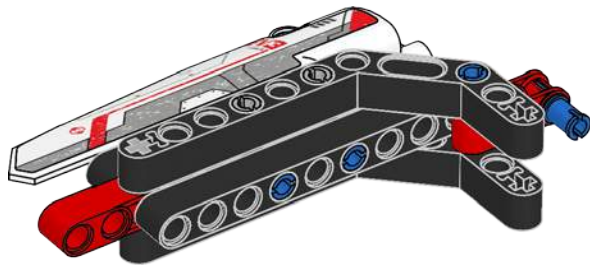


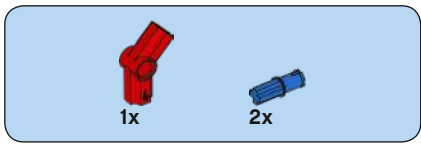


8

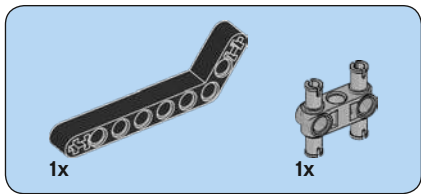
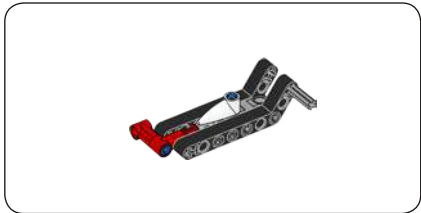
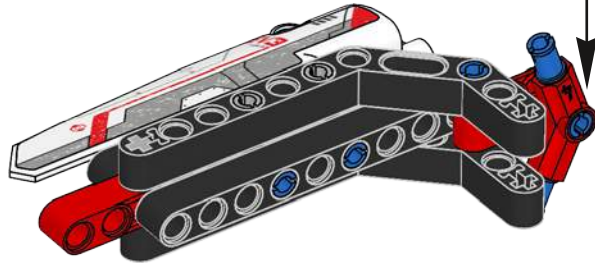
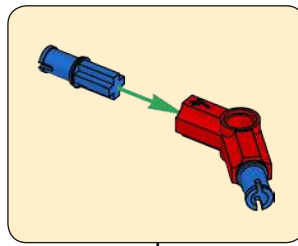


9

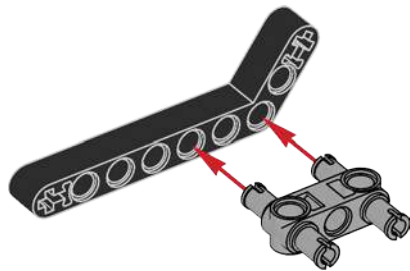


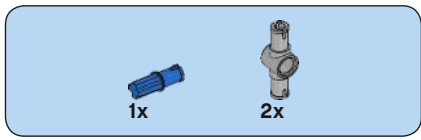


10

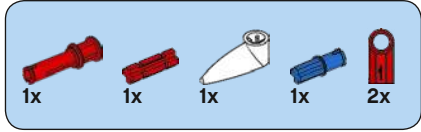
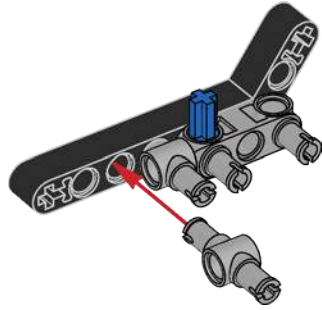


1

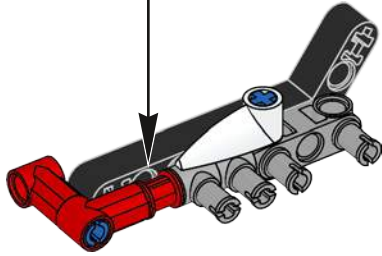
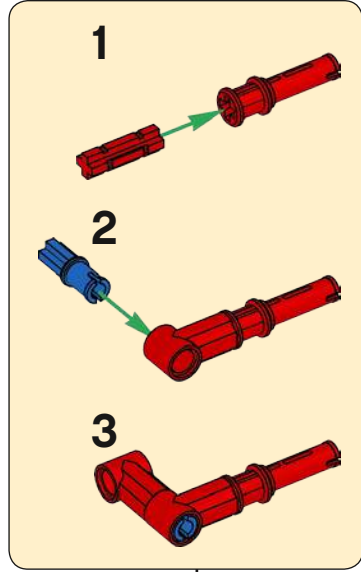


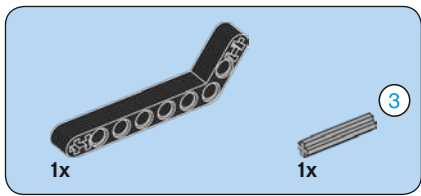


2

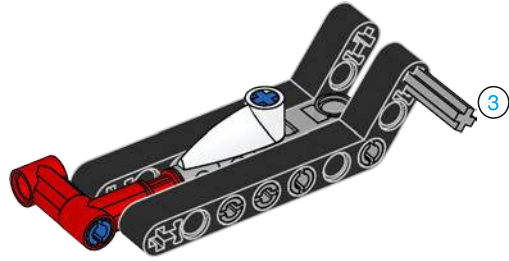


3

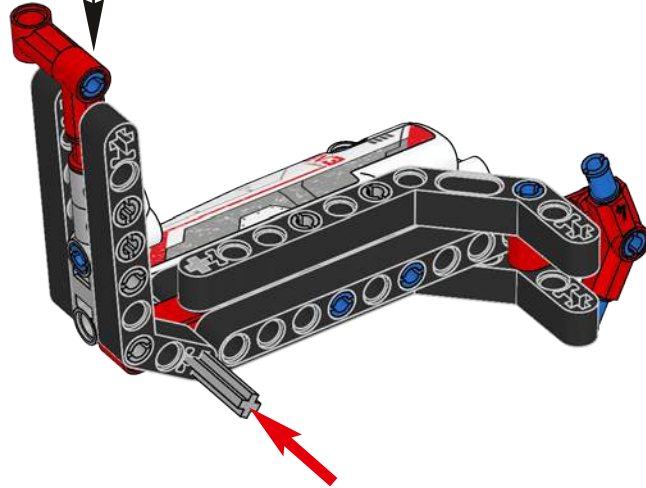


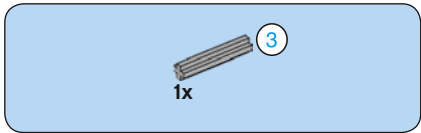


4

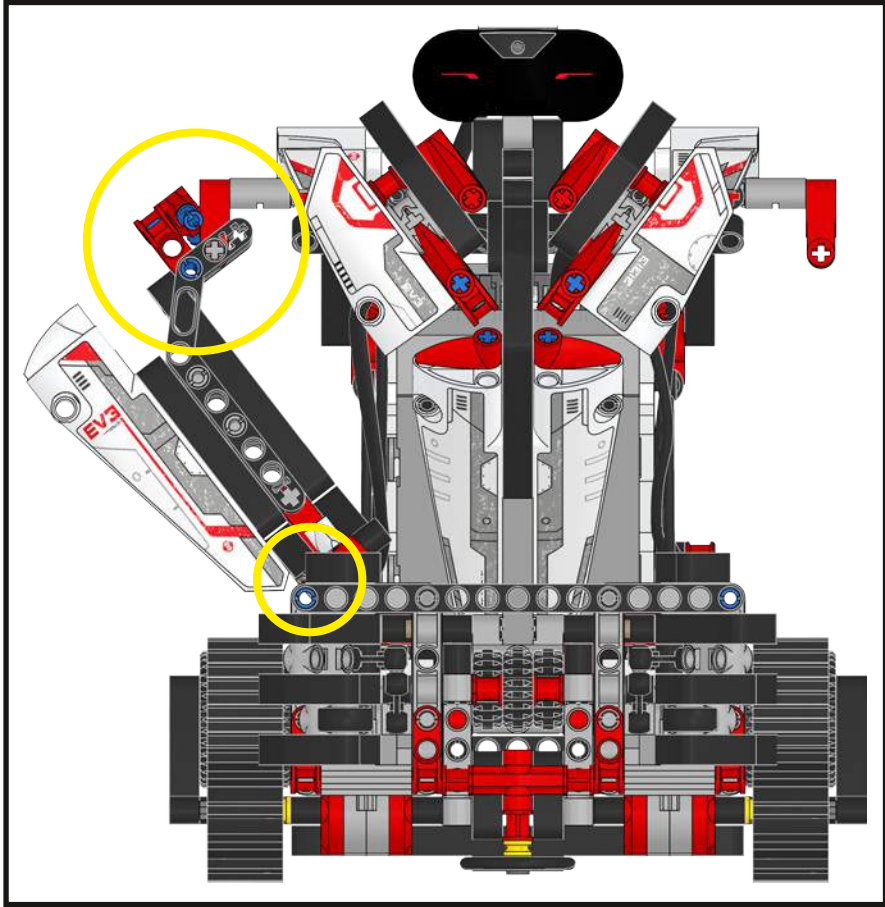
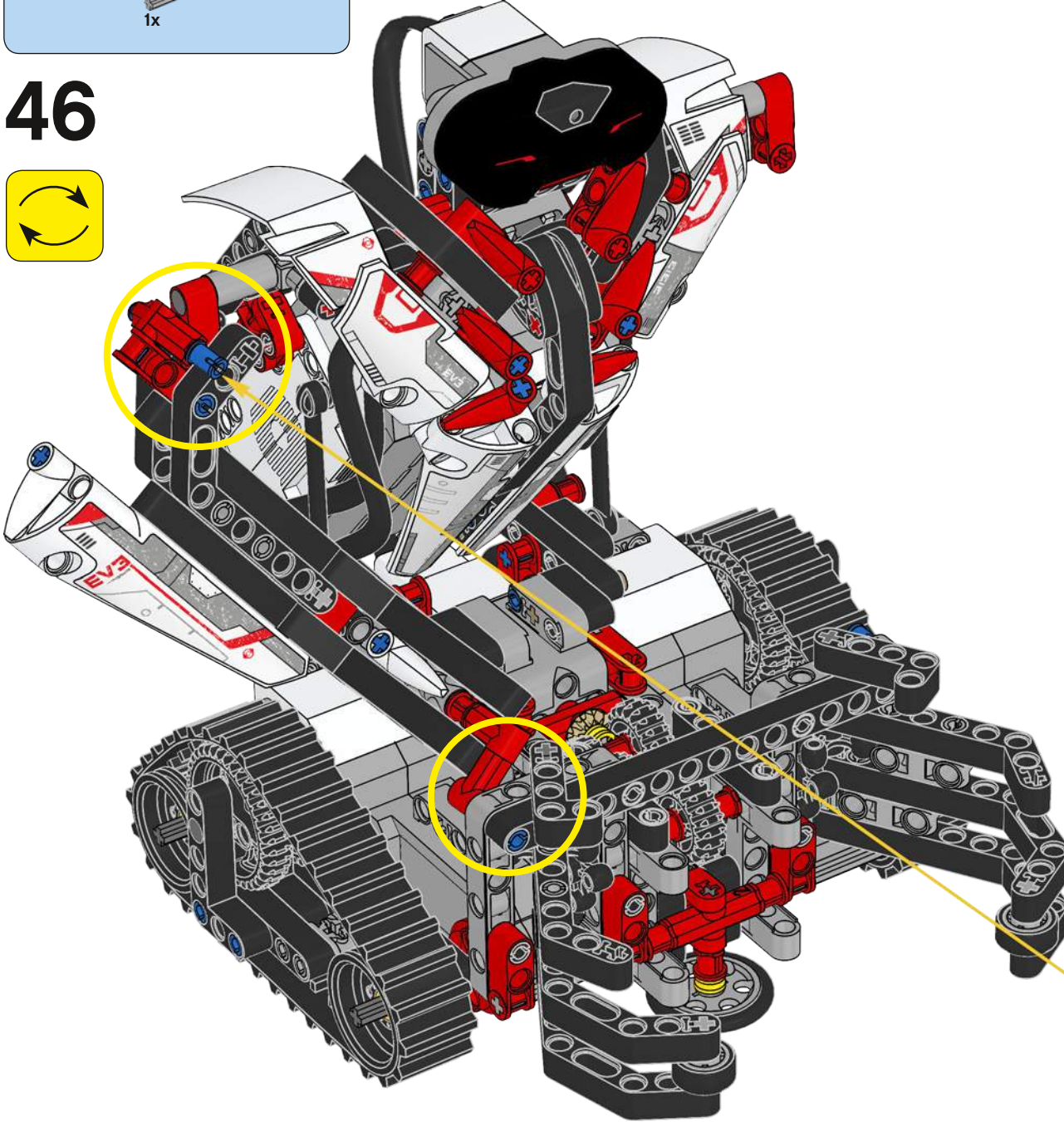


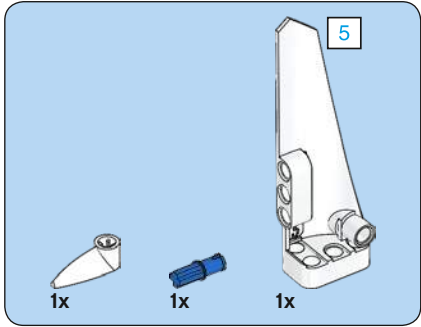
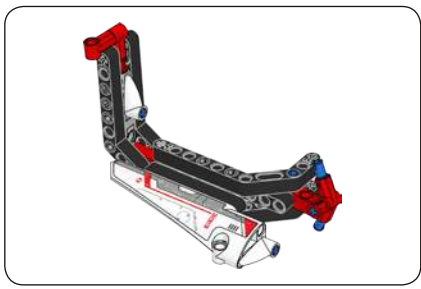
11



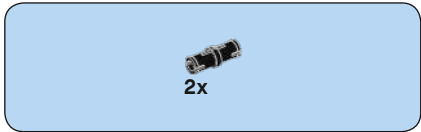
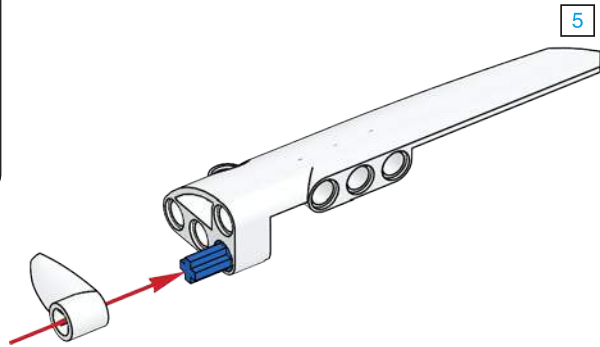


46

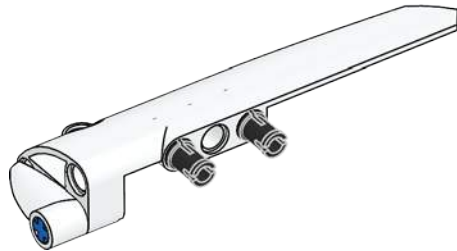




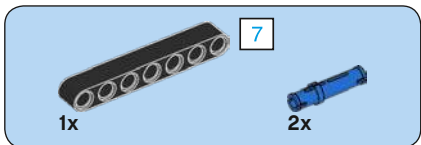
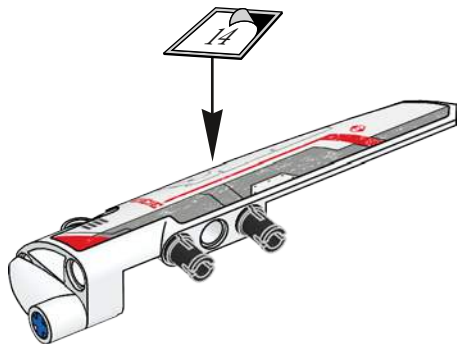
1



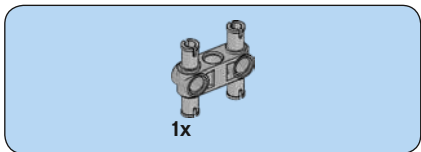
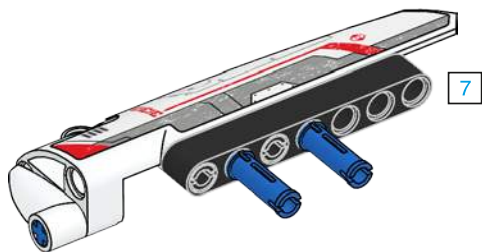
2



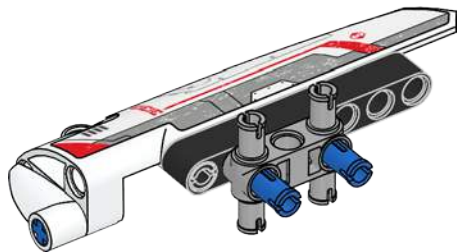
3

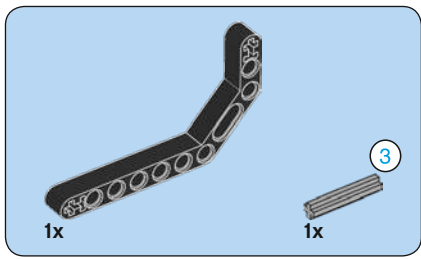


4

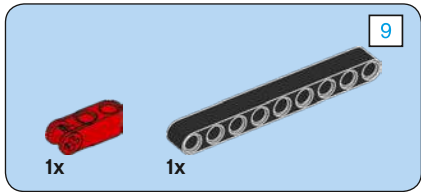
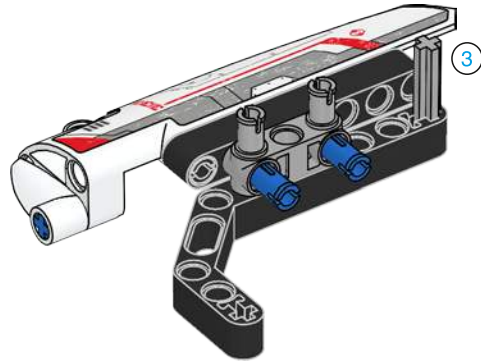


5

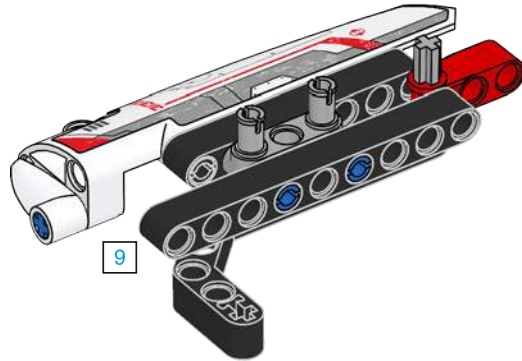


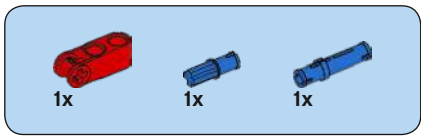


6

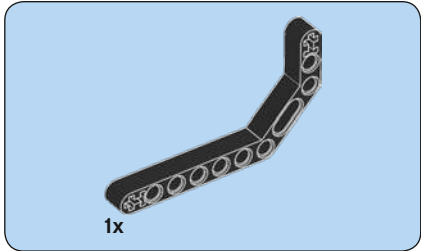
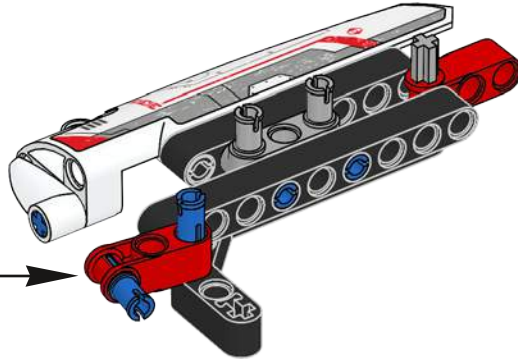
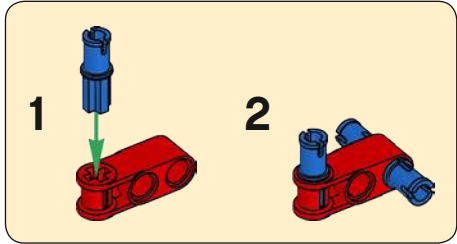


7

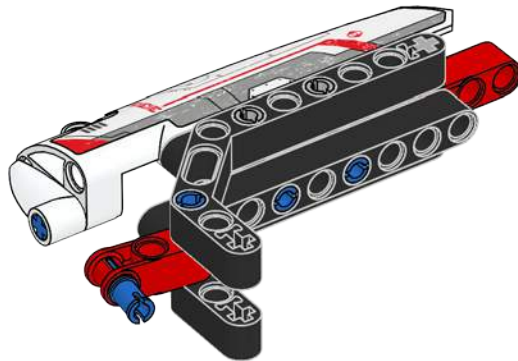


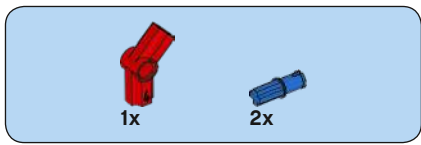


8

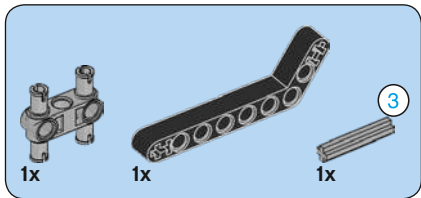
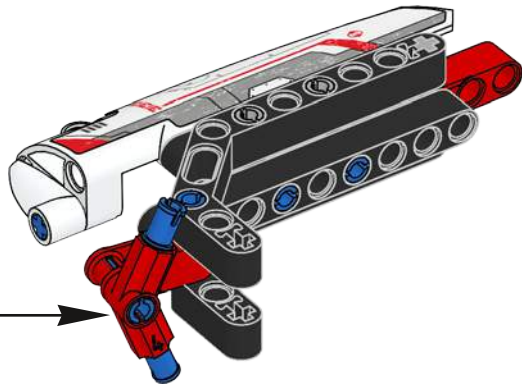
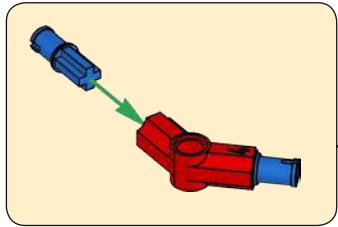


9

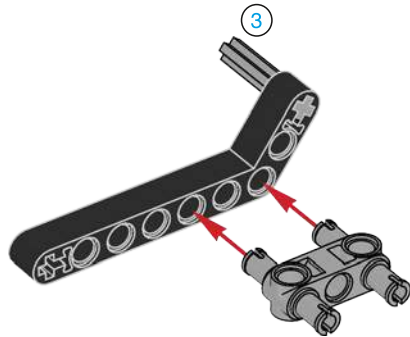


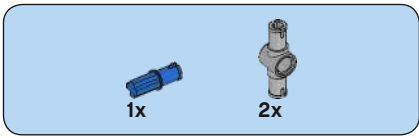


10

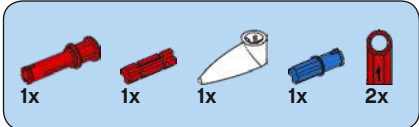
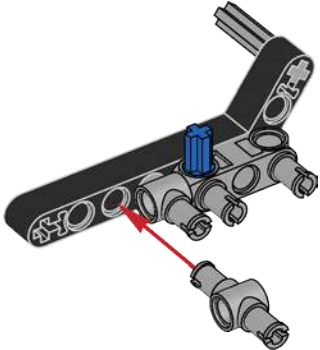


1

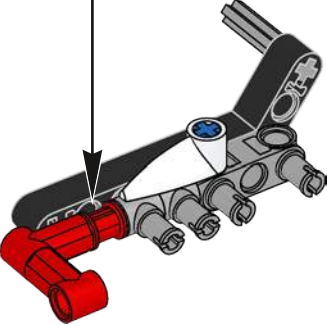
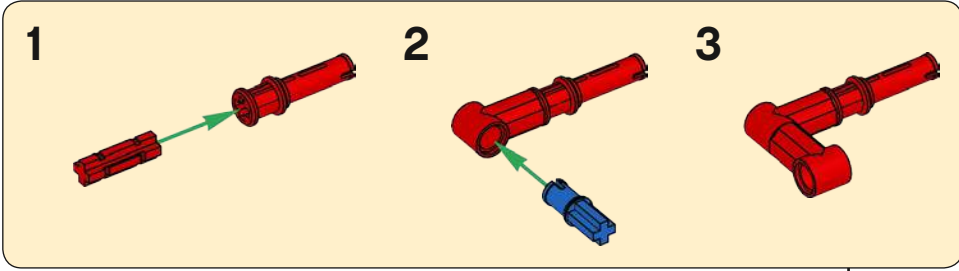


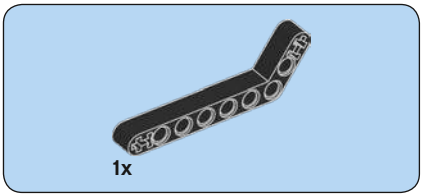


2

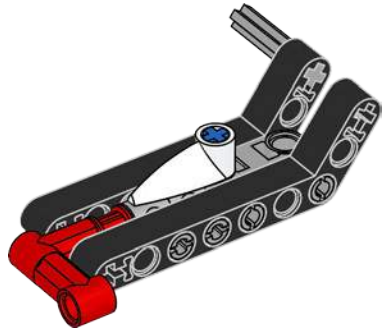


3

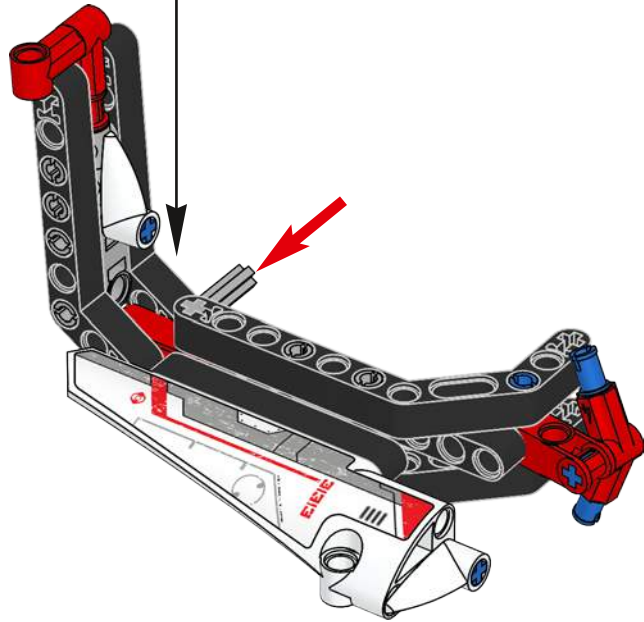


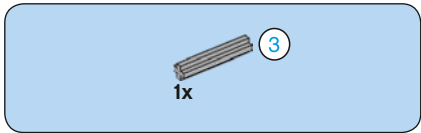


4

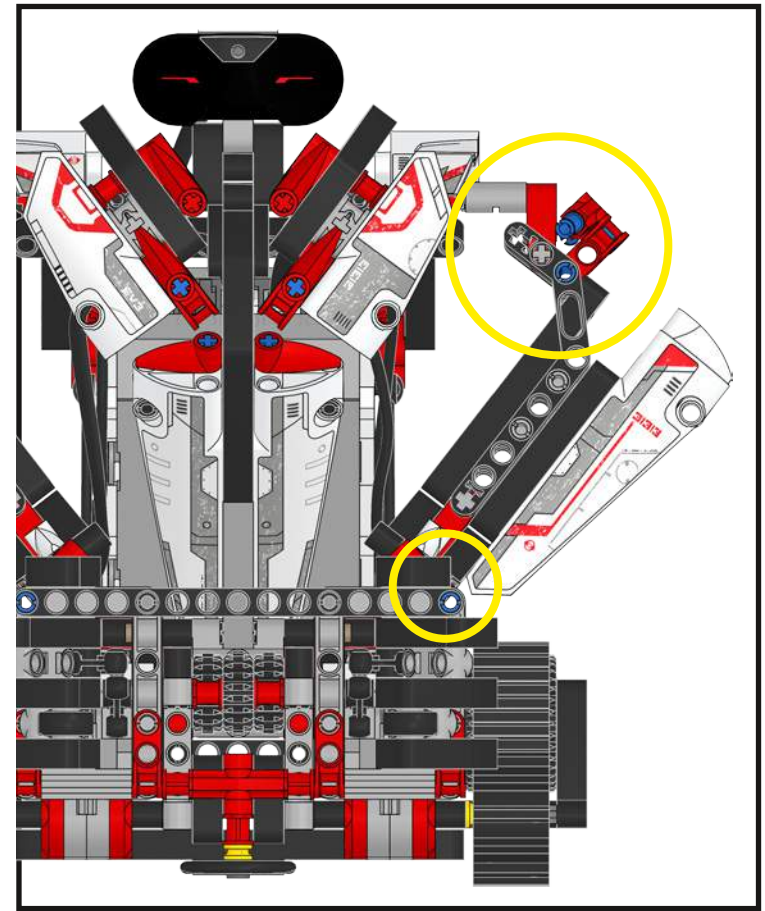
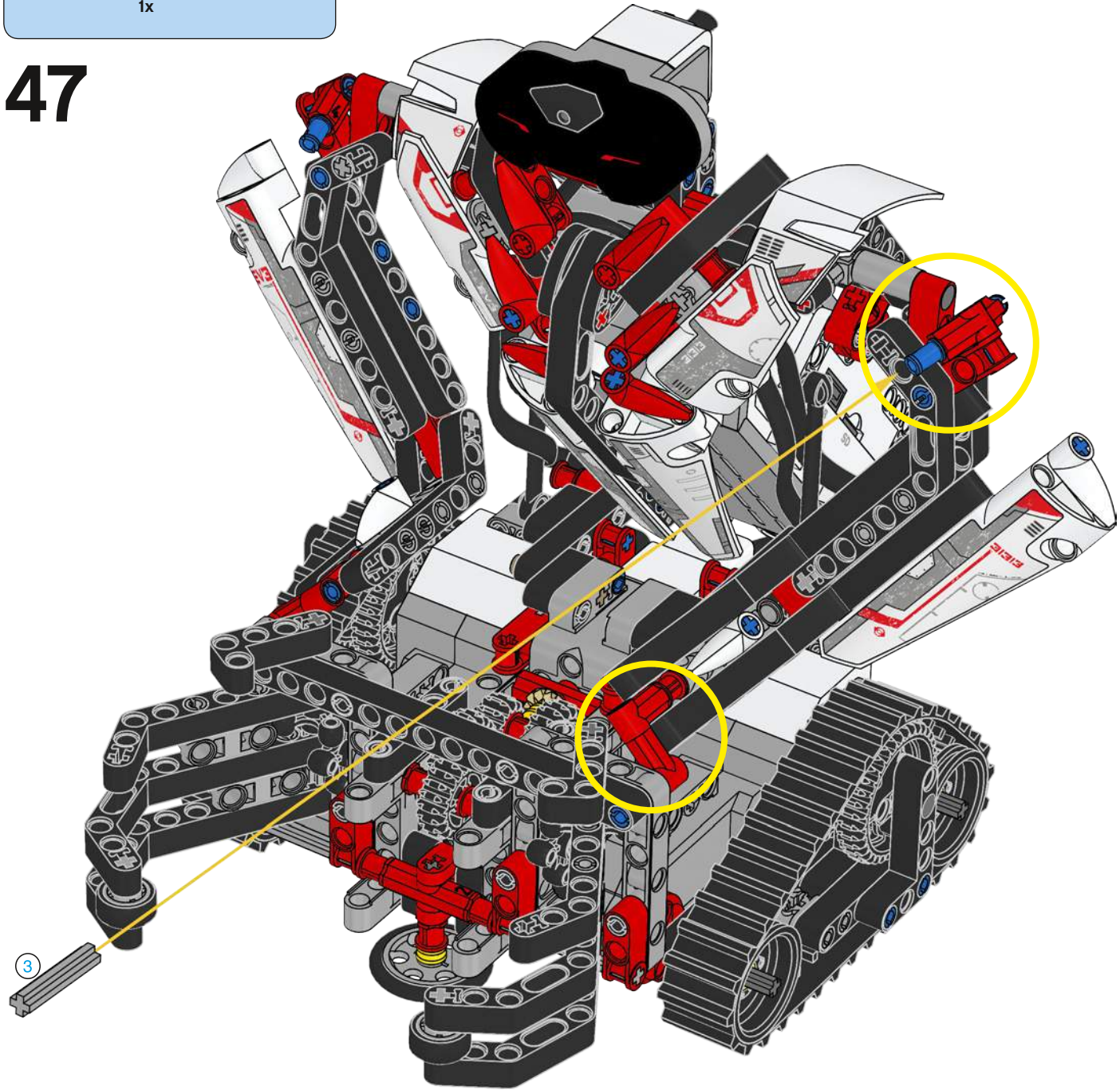


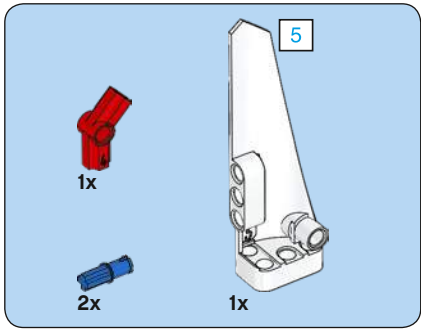
11



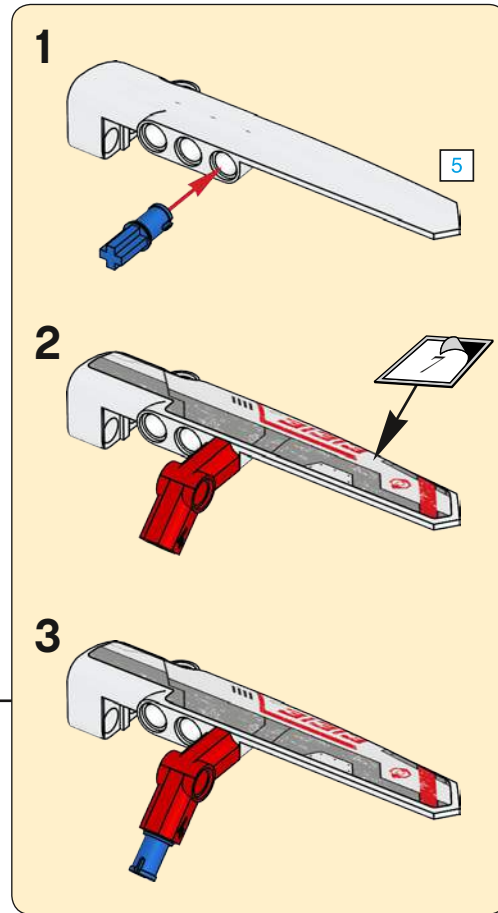
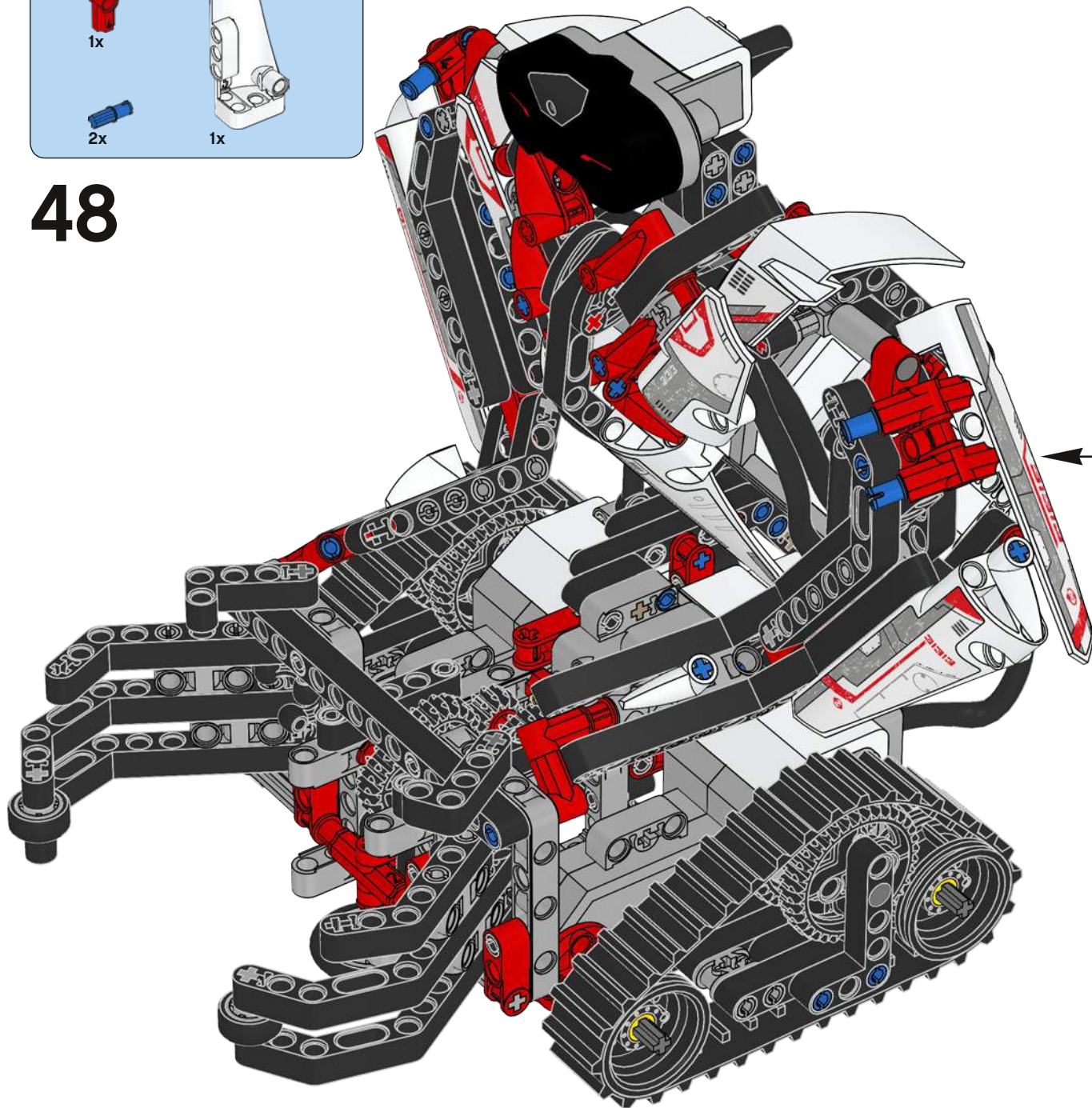


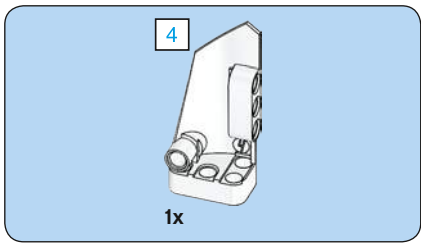
47



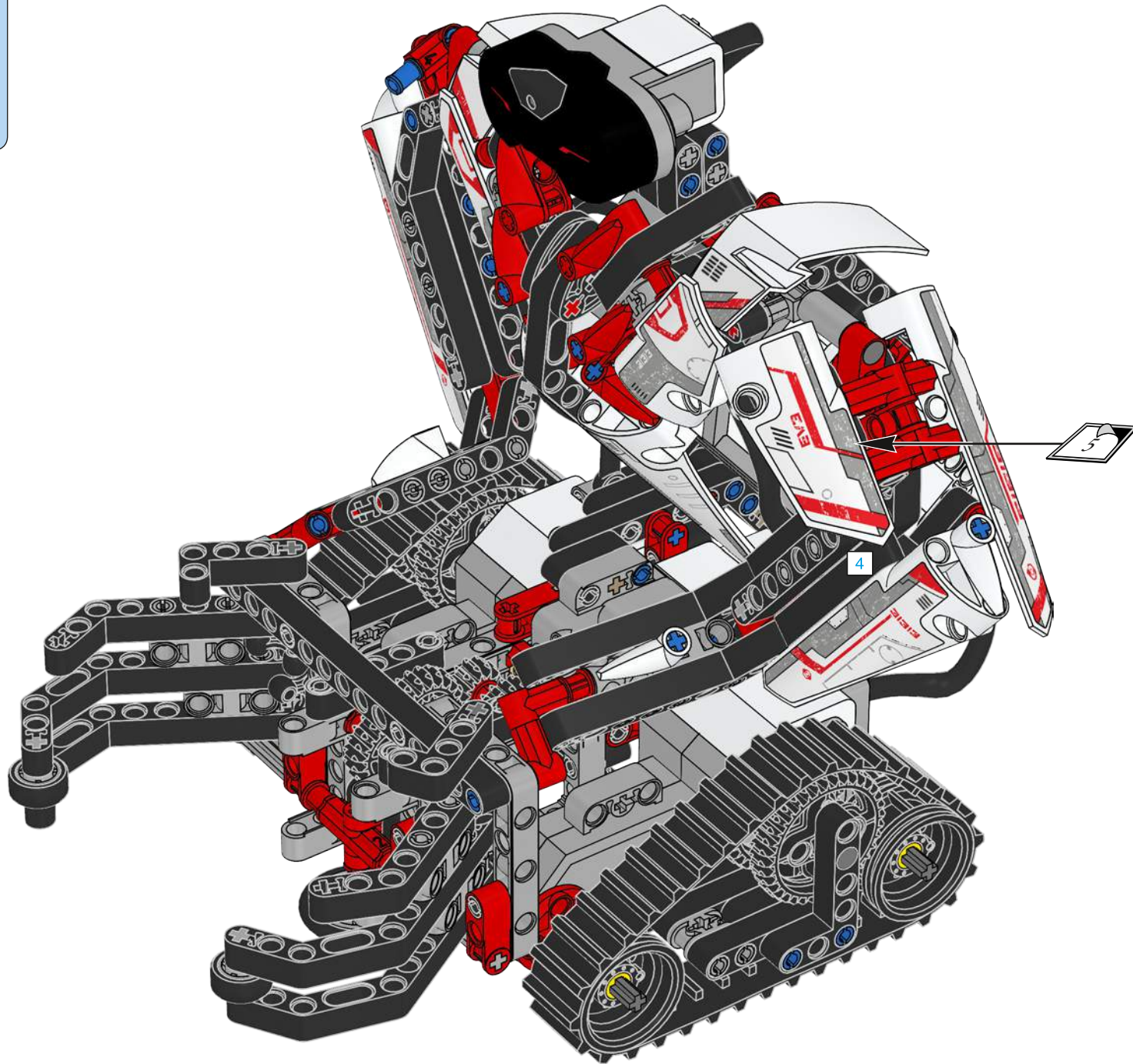


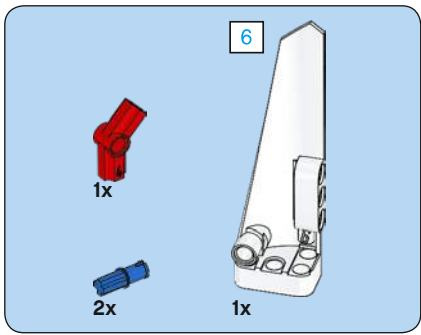
48



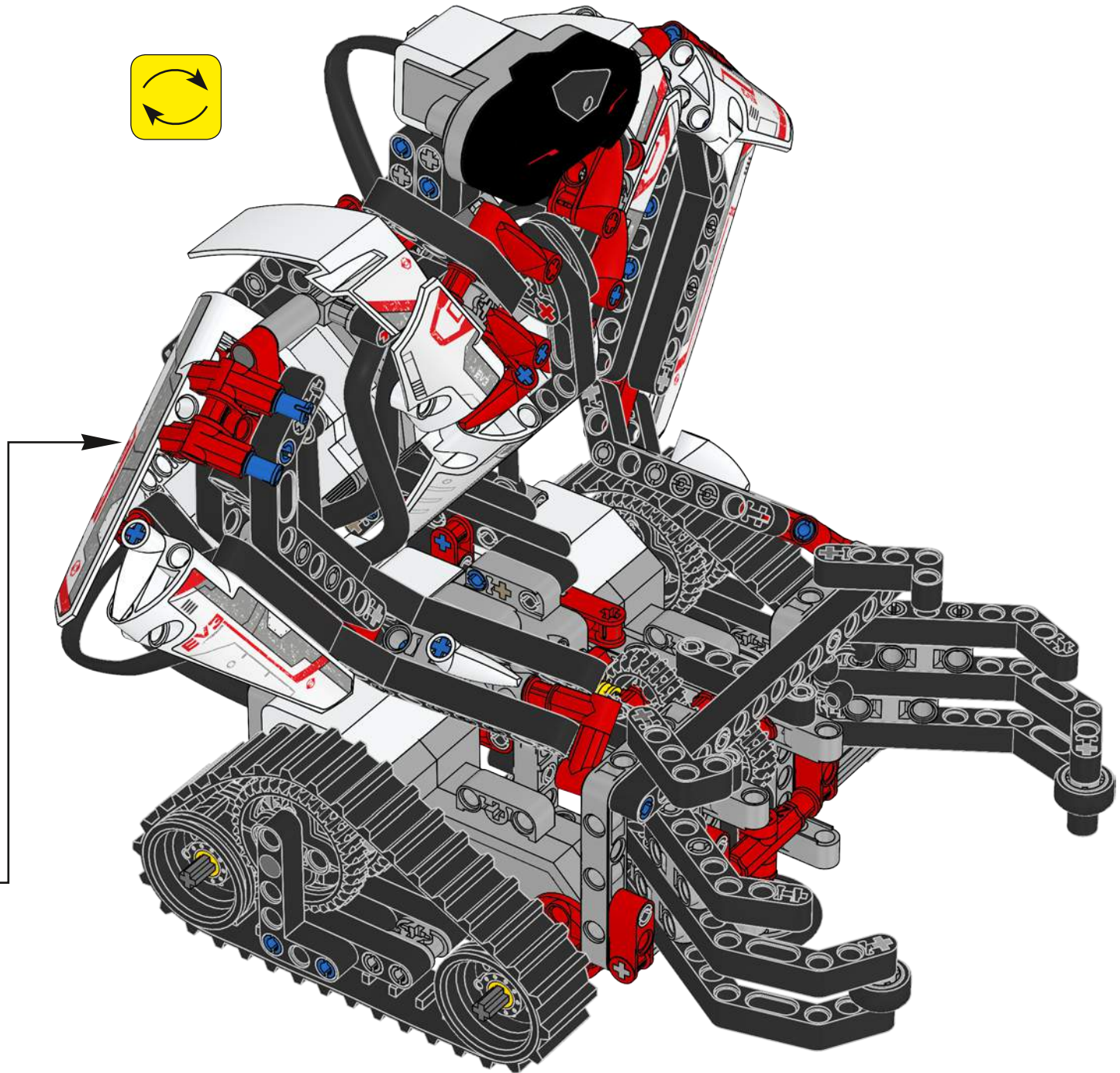
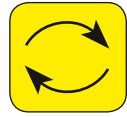
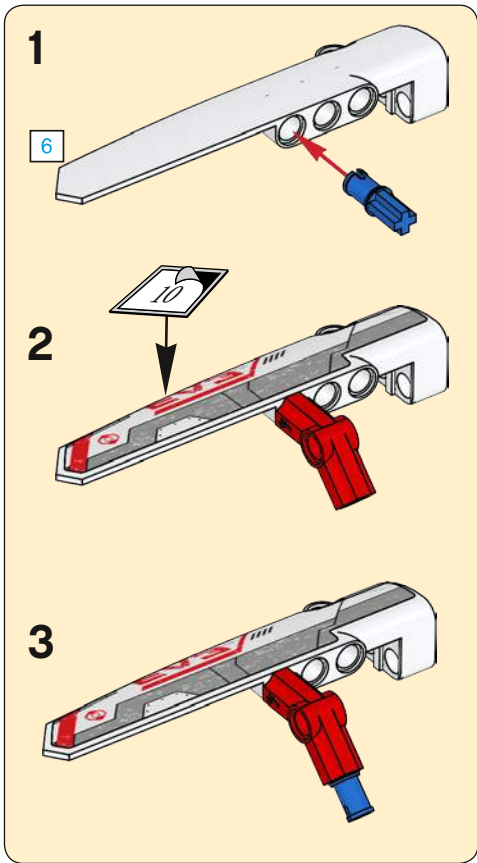


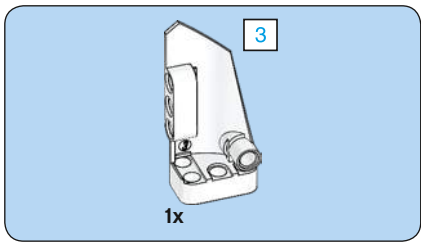
49



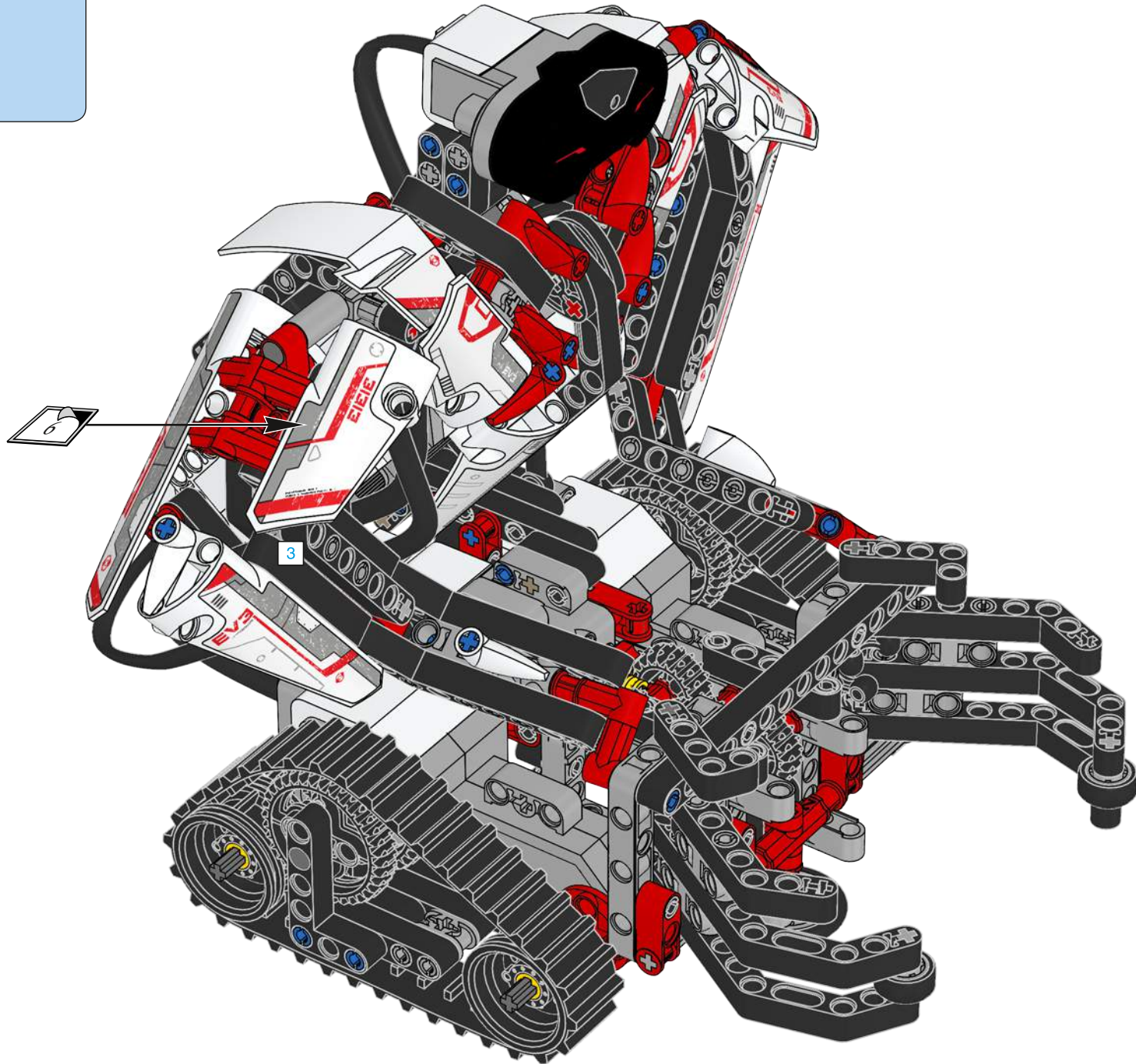


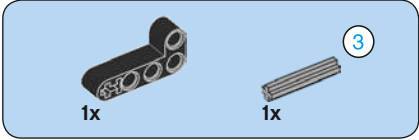
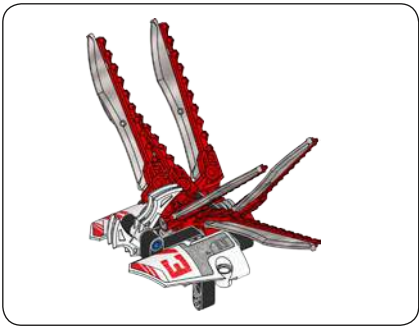
50





51

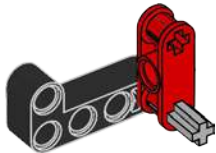




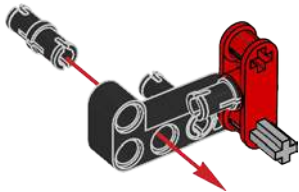
1



2



3





1x

4



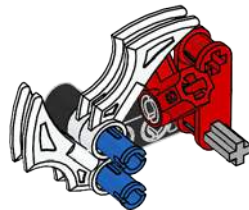
2x

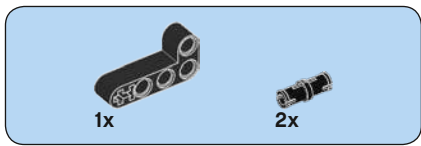
5



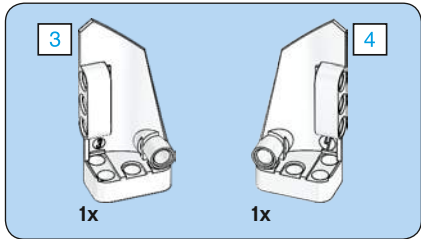
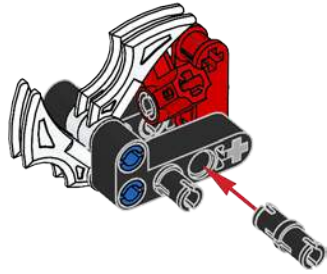
4x

6

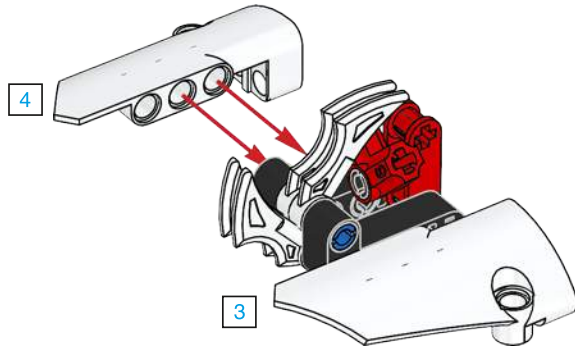




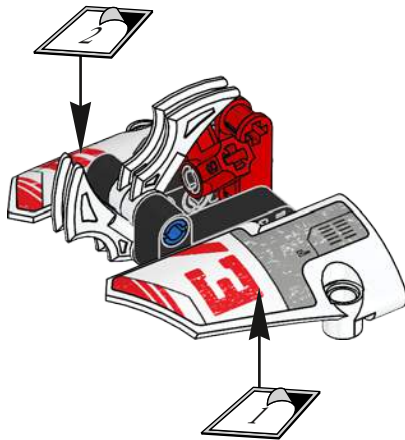
7

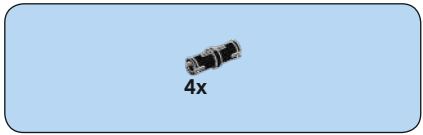


8

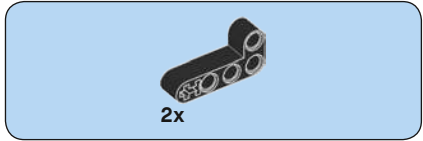
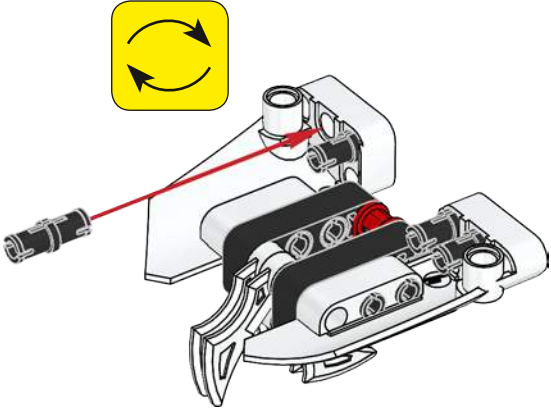


9

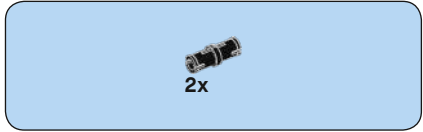
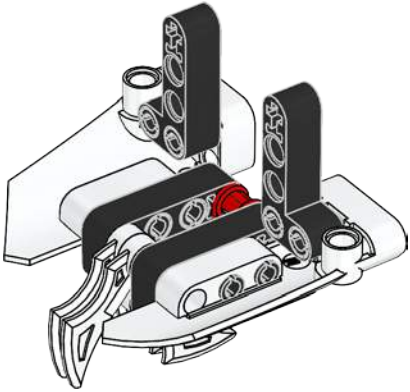




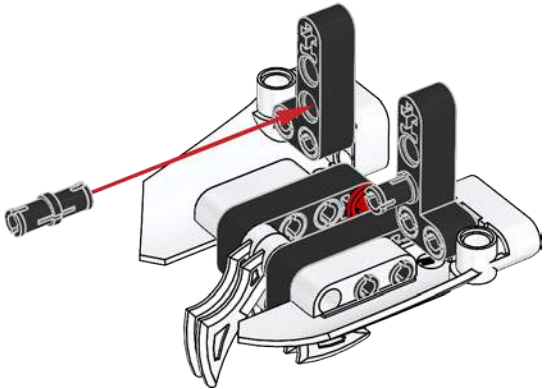
10

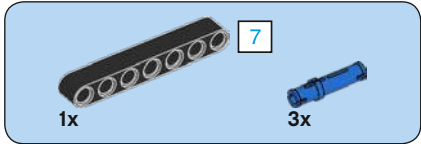
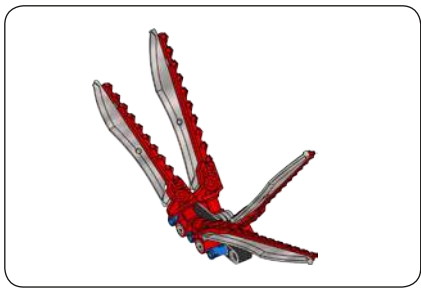


11

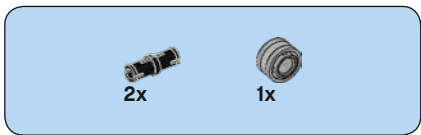
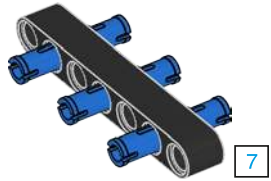


12

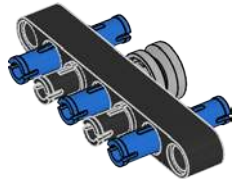


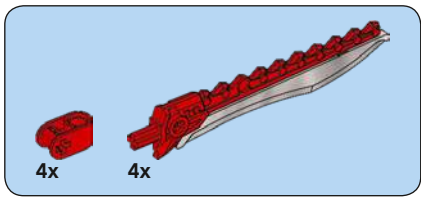


1

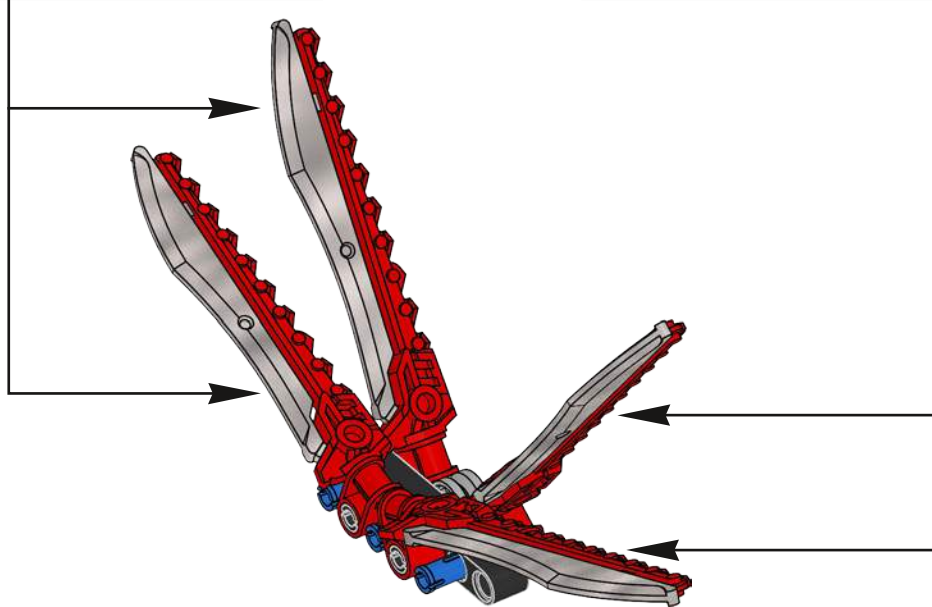
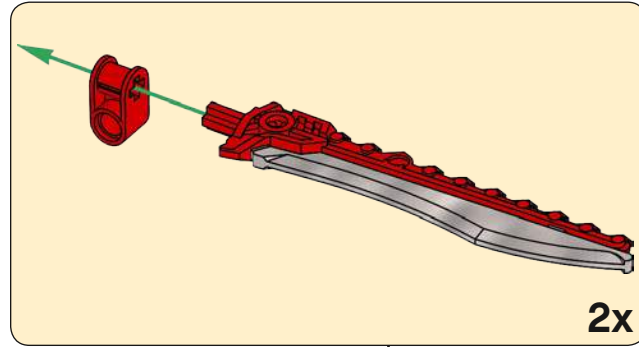
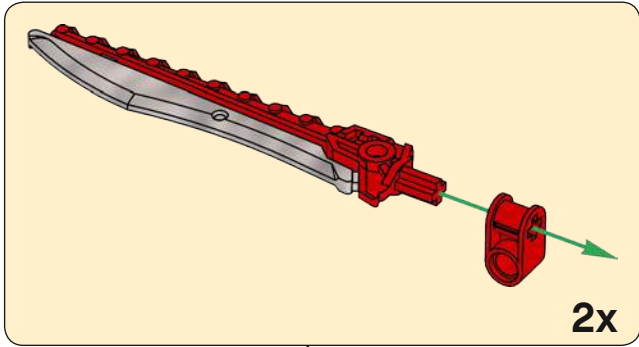


2

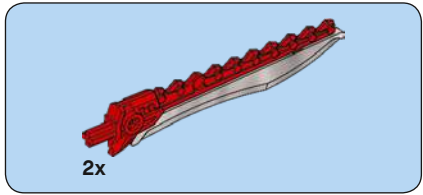
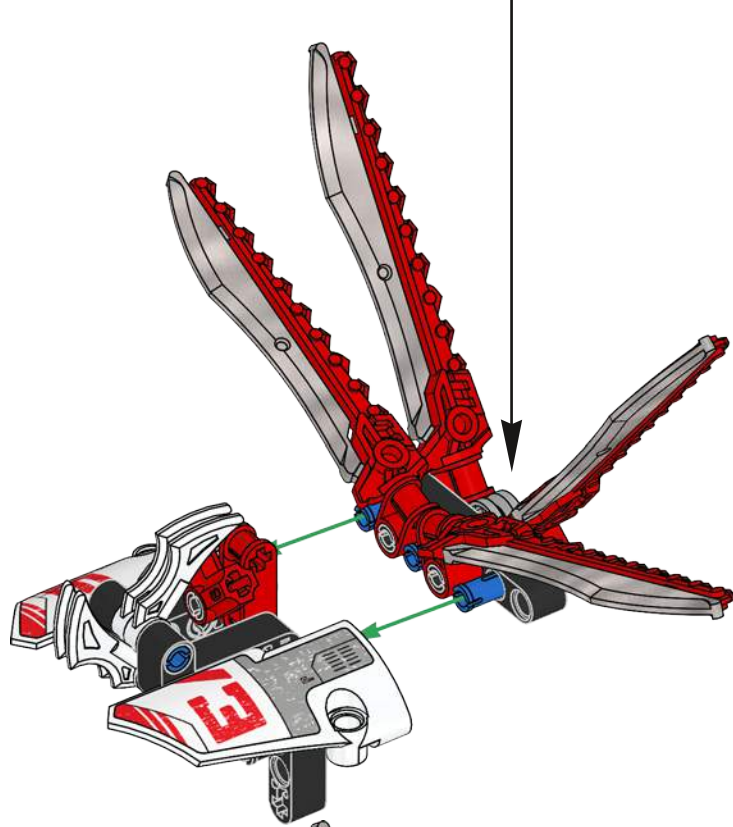




3



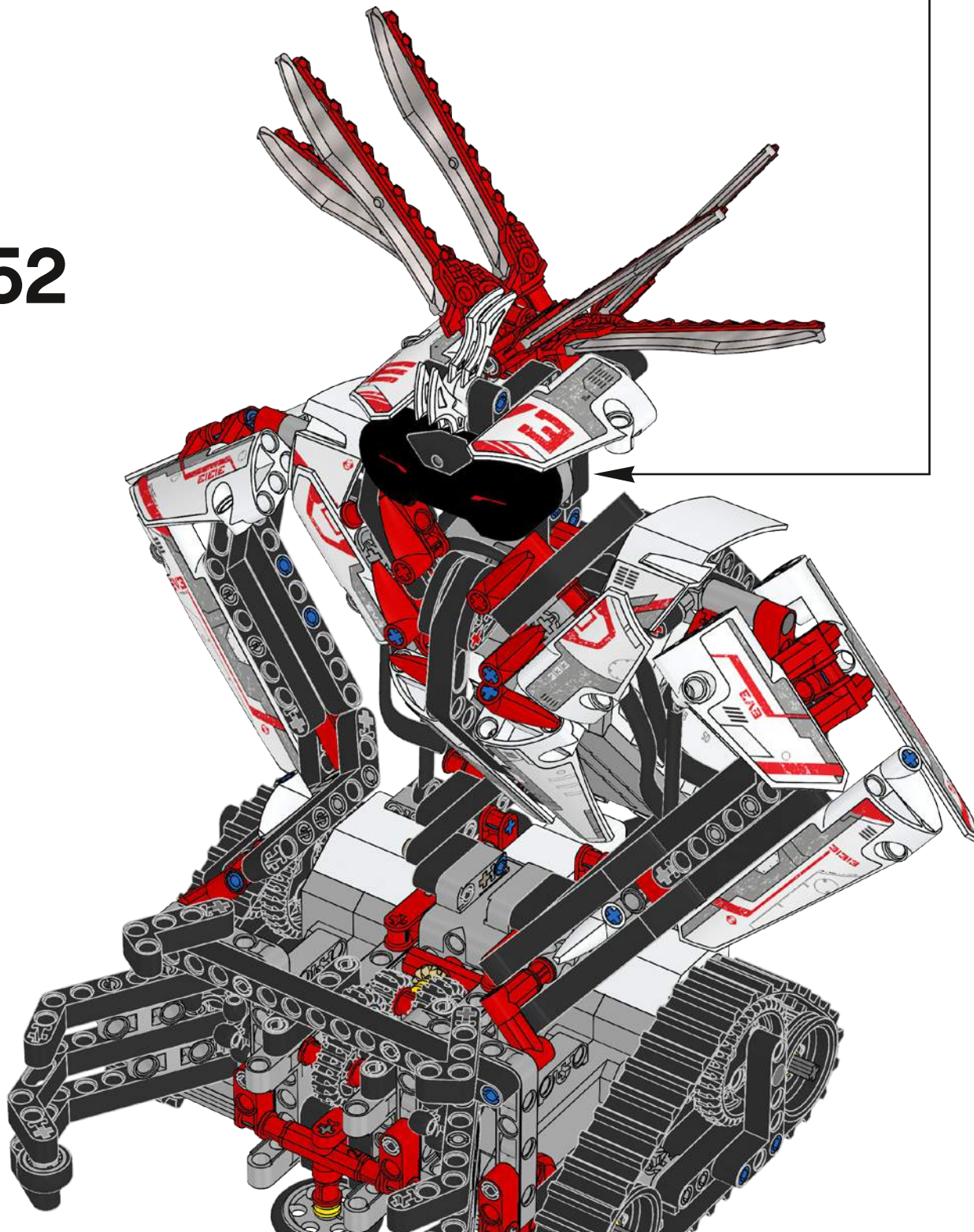
13

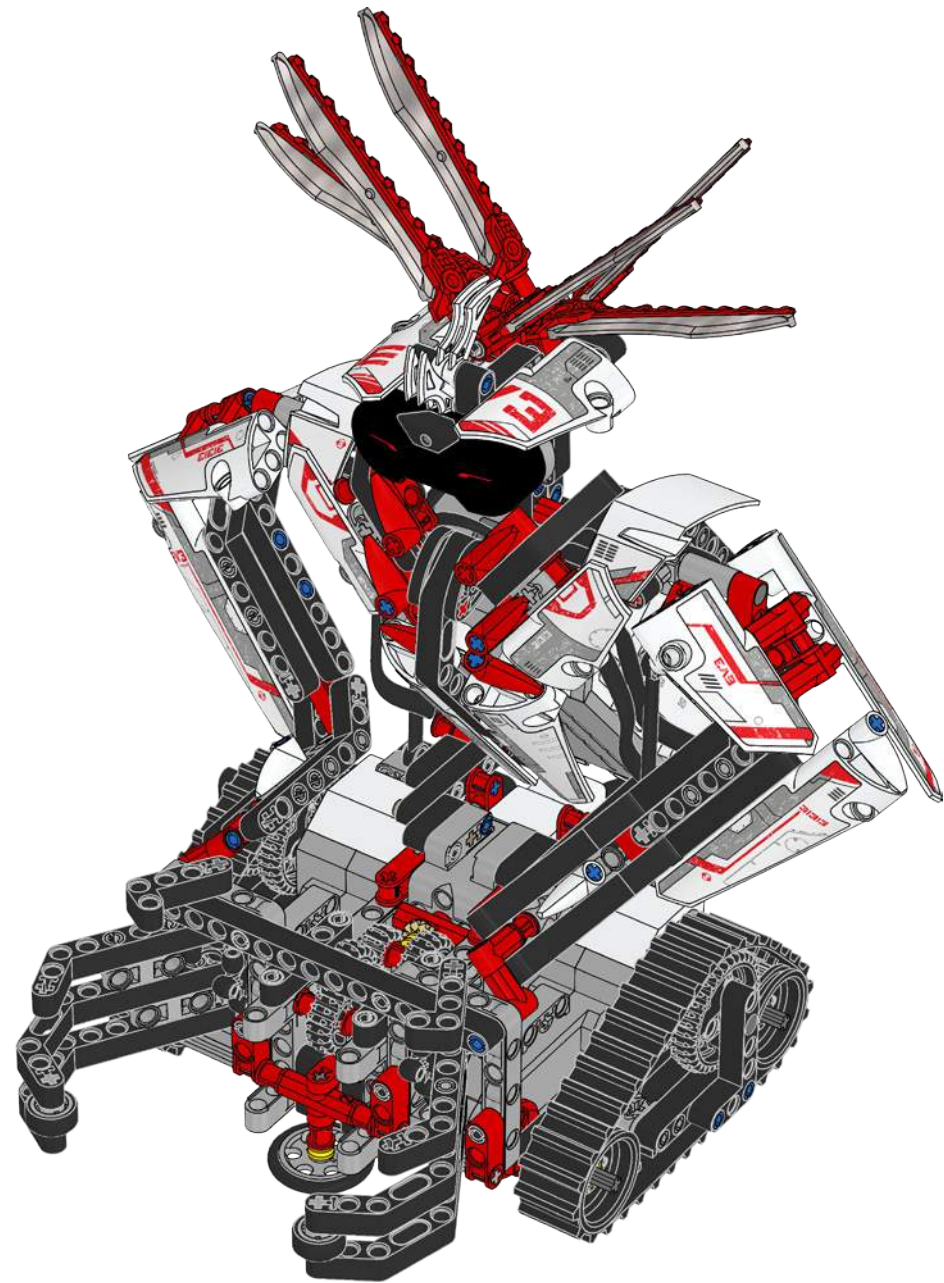


14



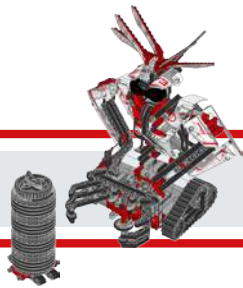
52



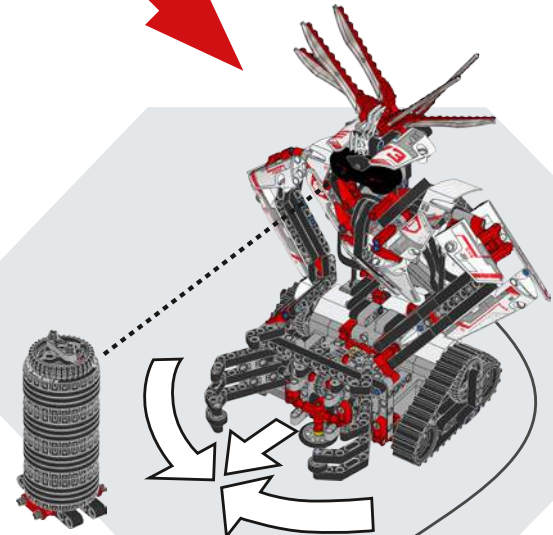




LEGO® MINDSTORMS®
EV3 Programmer
The LEGO Group



MISSION 03



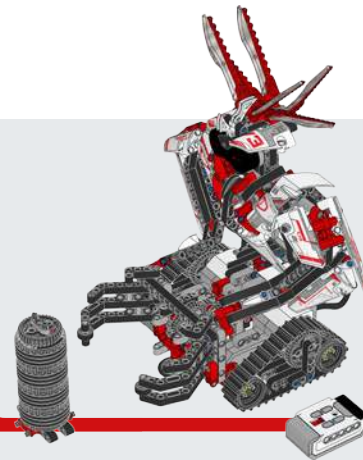
LEGO.com/mindstorms/software

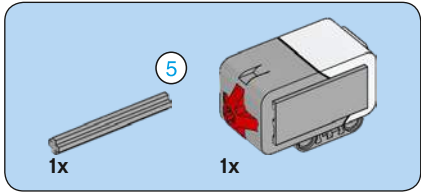
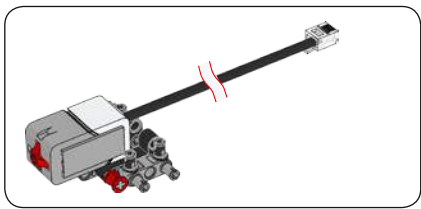


MISSION 04

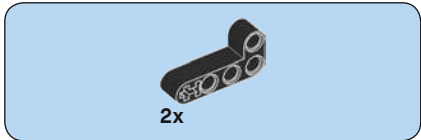
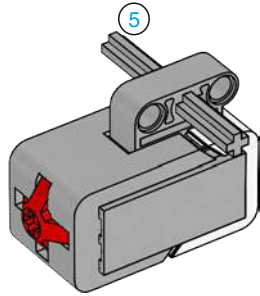


118-123

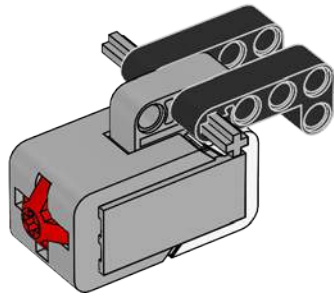


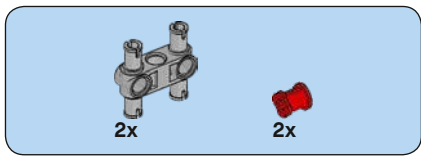


1

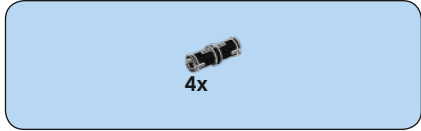
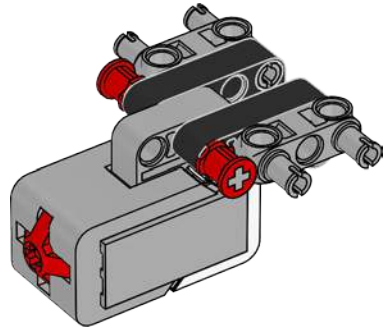


2

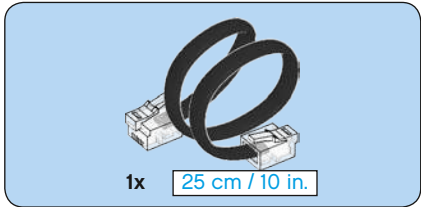
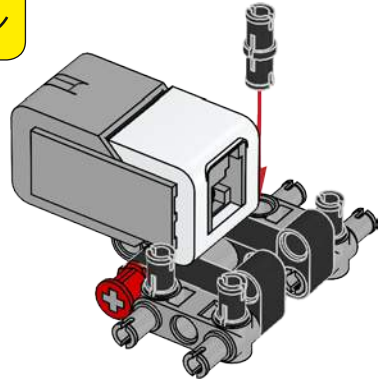




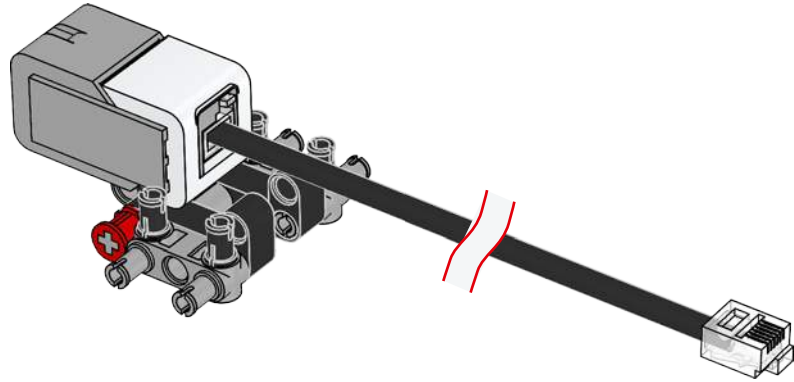
3



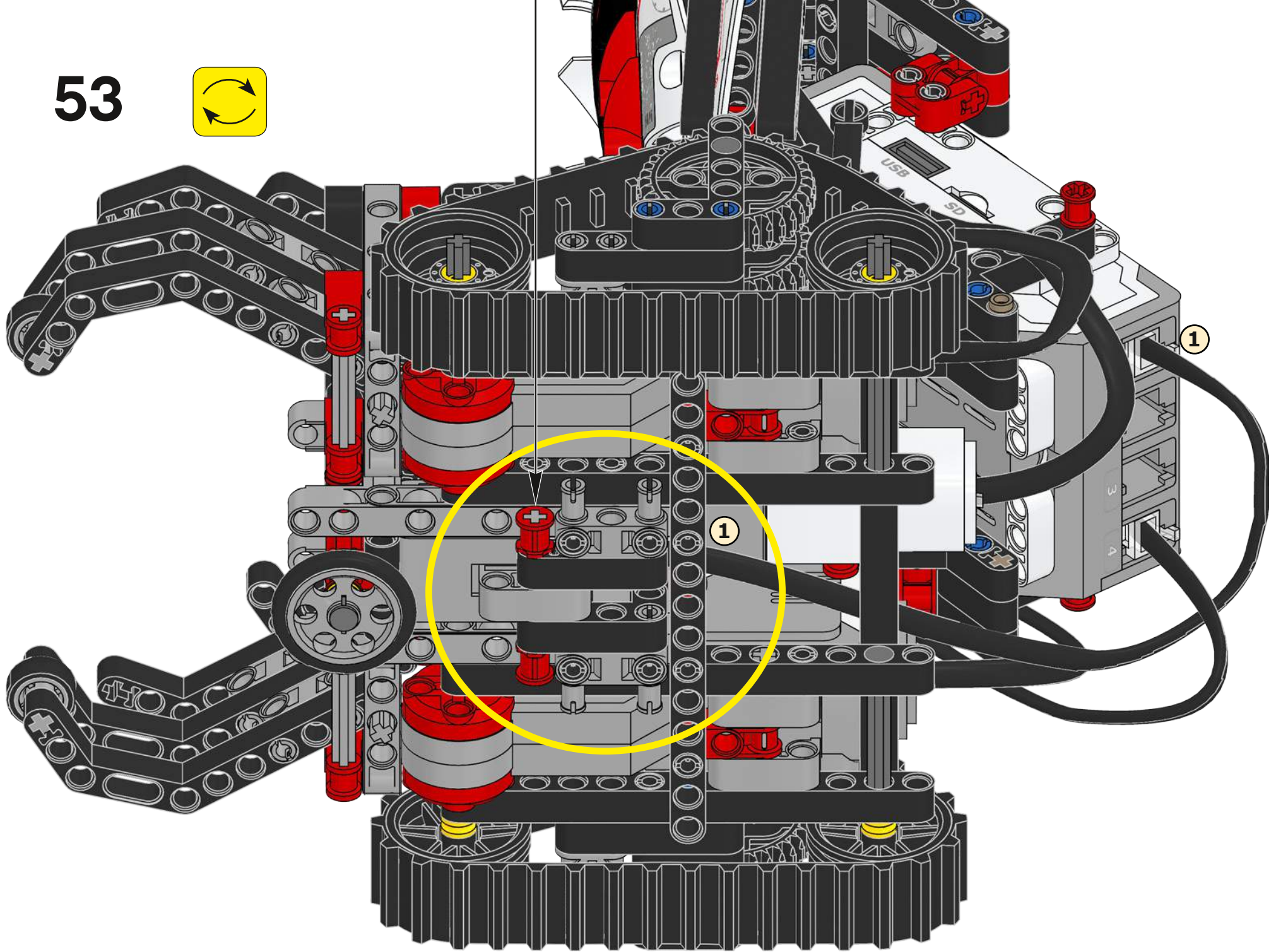
4

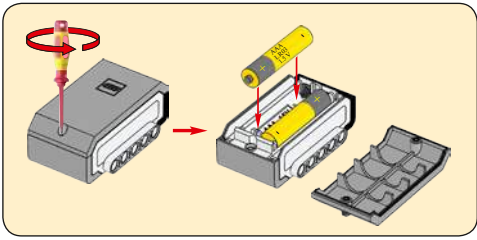


5



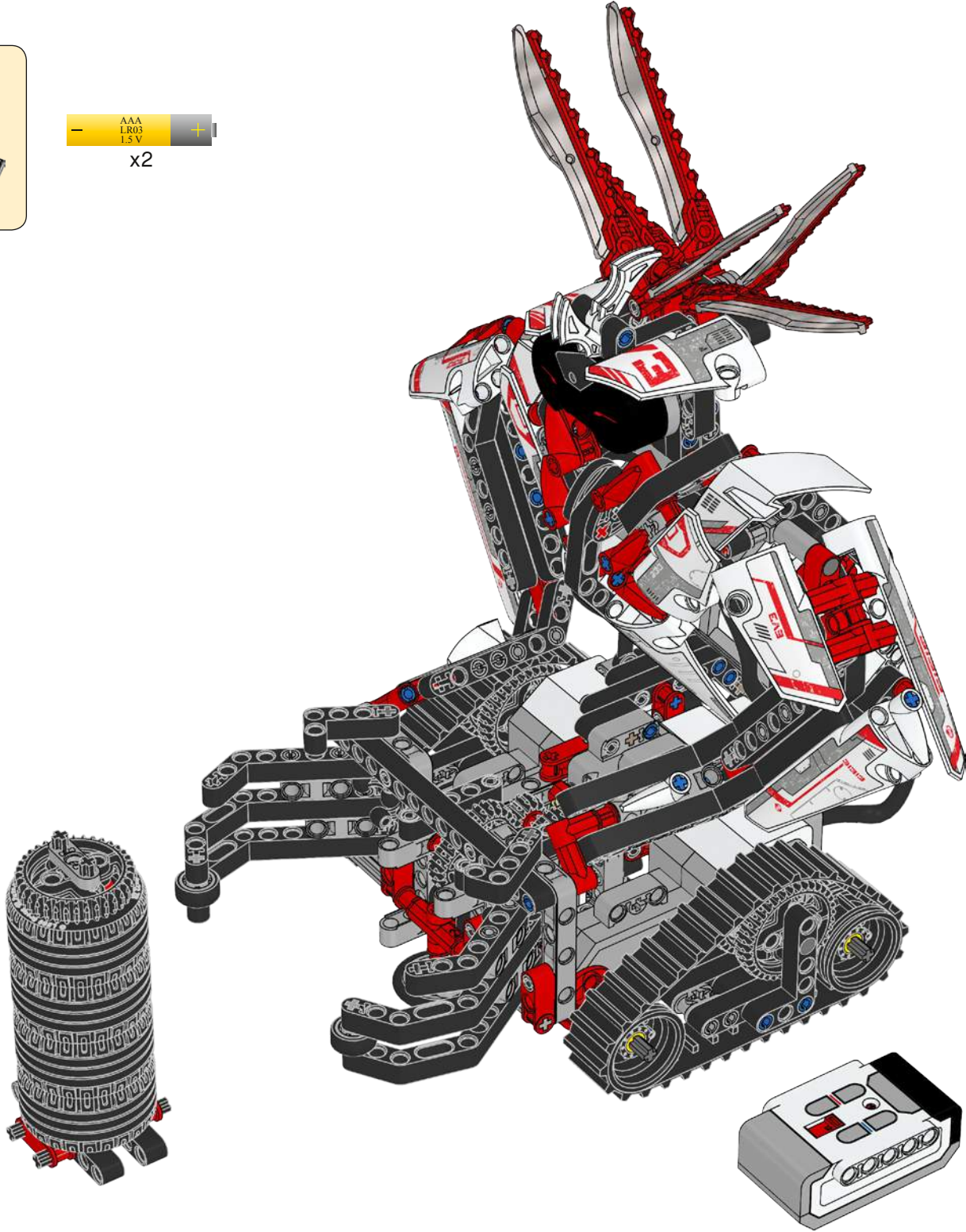
53





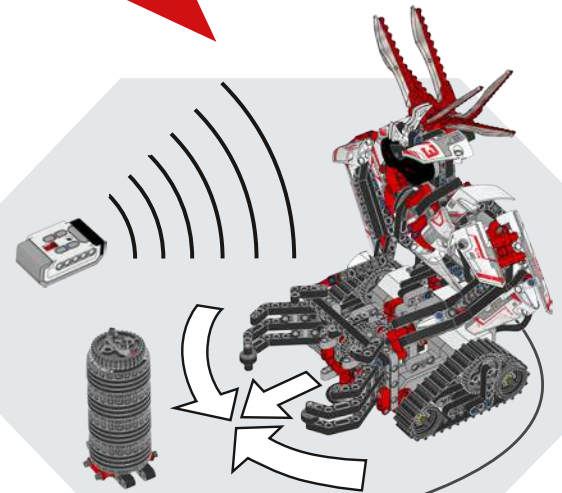
AAA
LR03
1.5 V

x2





LEGO® MINDSTORMS®
EV3 Programmer
The LEGO Group



 LEGO.com/mindstorms/software

MISSION 04



